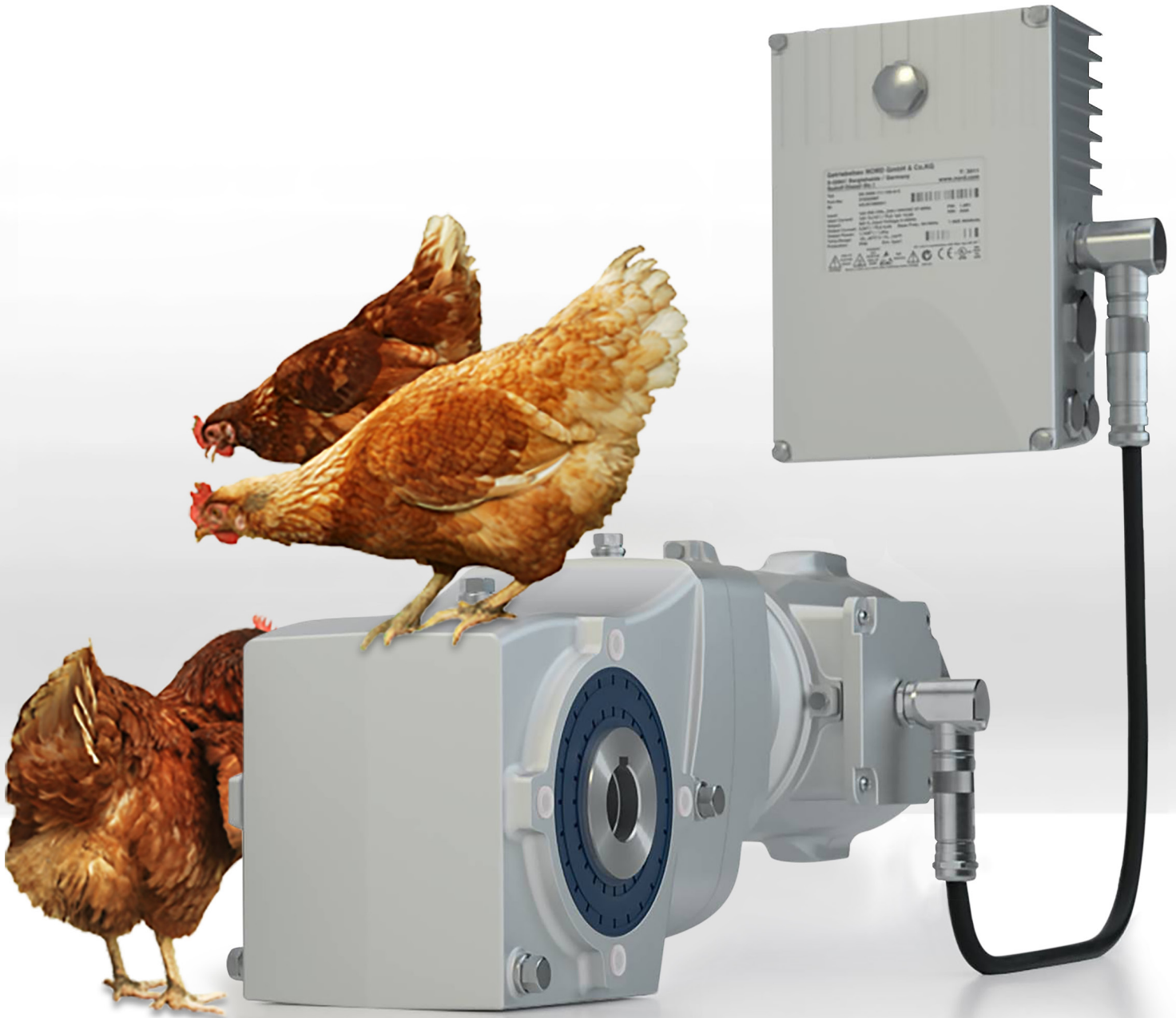


Intelligent Drivesystems, Worldwide Services



US

**DRIVE SOLUTIONS FOR  
THE POULTRY INDUSTRY**

**NORD**<sup>®</sup>  
**DRIVESYSTEMS**

# DRIVE SOLUTIONS FOR THE POULTRY INDUSTRY

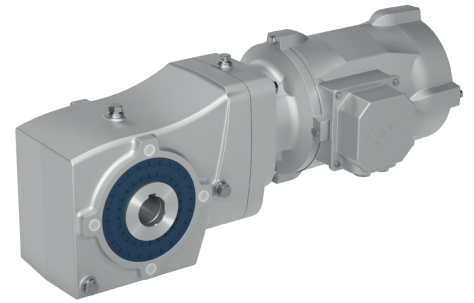
## From Processing...



## ...To Packaging

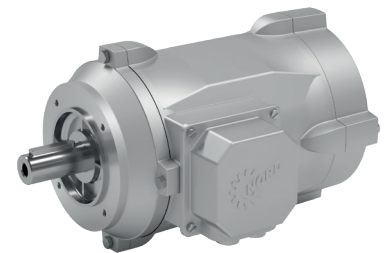
## NORD Delivers

NORD offers full-featured drive solutions that can tackle the toughest requirements. All components are carefully selected and precisely configured to meet your exact specifications. In the rare case that standard components won't meet your needs, our in-house engineering team will work with you to design custom components or a complete customized system.



## Reduce Lead Times and Decrease Inventory

- 25% of orders ship same day or next day with NO expedite fees
- 47% of orders ship within 5 working days
- 81% of orders ship in 2-3 weeks



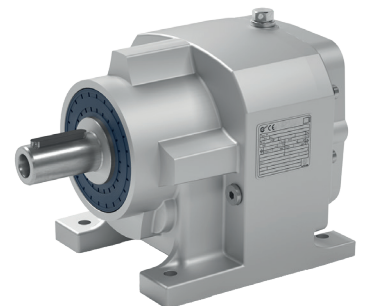
## Global Product Designs, Standards, and Support

- Innovative product range (one-stop shop)
- Global connected presence
- Mechanical and electrical application engineers ready to assist you
- Online resources



## Increase Efficiency and Reduce Operation Costs

- First-class customer service and support, plus myNORD online tools
- Product flexibility through standard components and customizations
- Program personalization, such as weekly shipment schedules and custom nameplates
- Partner with a company that is easy to do business with and wants to see you succeed!



# NORD DRIVESYSTEMS Group

## High-performance Solutions

NORD's extensive product portfolio is continuously evolving to meet the needs of today's fast-changing markets, but NORD does far more than manufacture the world's finest drive components. We provide our customers with optimum drive configurations for their specific purposes, providing each and every one of them with complete and efficient systems at a price/quality ratio that's unmatched.

By continuing to invest in the latest research, manufacturing, and automation technology, we are able to deliver innovative drive systems with the highest quality, reliability, and value found in the marketplace today. In short, we never stop improving.

## On-time Delivery

NORD's linked global network of assembly and manufacturing operations gives you the best of both worlds – a world leader with local representatives. NORD has subsidiaries and sales partners in 98 countries on five continents, ensuring local inventory, assembly centers, technical support, and customer service.

This approach also allows us to provide the shortest lead times in the industry. As a NORD customer, you can rest assured that your order will be delivered on time and on spec. We offer our customers:

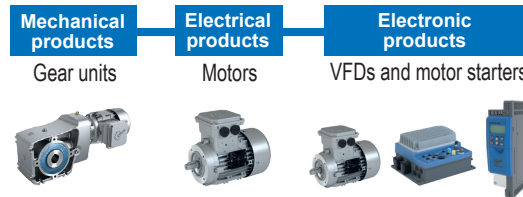
- Fast, accurate, reliable service
- Unmatched product versatility and customizations
- Short lead times
- Technical guidance from experienced engineers
- MyNORD online tools (configure, price, quote, and track your order)
- 24/7/365 after hours emergency support via the NORD 911 hotline

## Peace of Mind

NORD's customer-first approach means superior drive solutions and peace of mind are just a call or click away. Put NORD's global team of engineers, manufacturing, service and support technicians to work for you. Together, we'll build something great!



**Headquarters and technology center**  
in Bargteheide,  
near Hamburg



**Innovative drive solutions**  
for more than  
100 branches of  
industry

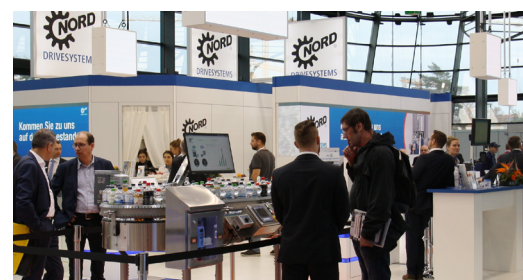


**7 production locations with cutting-edge technology**  
produce gear units, motors, VFDs, and more to provide complete drive systems from a single source.



The map shown above is for information only and does not claim to be created for or applicable to any legal purpose. For this reason, we do not assume any liability for legality, correctness and completeness.

**Subsidiaries and sales partners in 98 countries on 5 continents**  
provide local inventory, assembly, technical support, and industry-leading customer service.



**More than 4,000 employees throughout the world**  
create customized solutions.

# DRIVE SOLUTIONS FOR THE POULTRY INDUSTRY

## Conveying

NORD DRIVESYSTEMS provides versatile solutions for horizontal, vertical, and inclined conveyor systems.

- Hygienic drive units
- Energy-saving VFDs for cabinet, wall, or motor mounting
- High-quality paints or sealed surfaces for easy cleaning
- Soft start, deceleration ramp and STO functions

## Cutting, Slicing

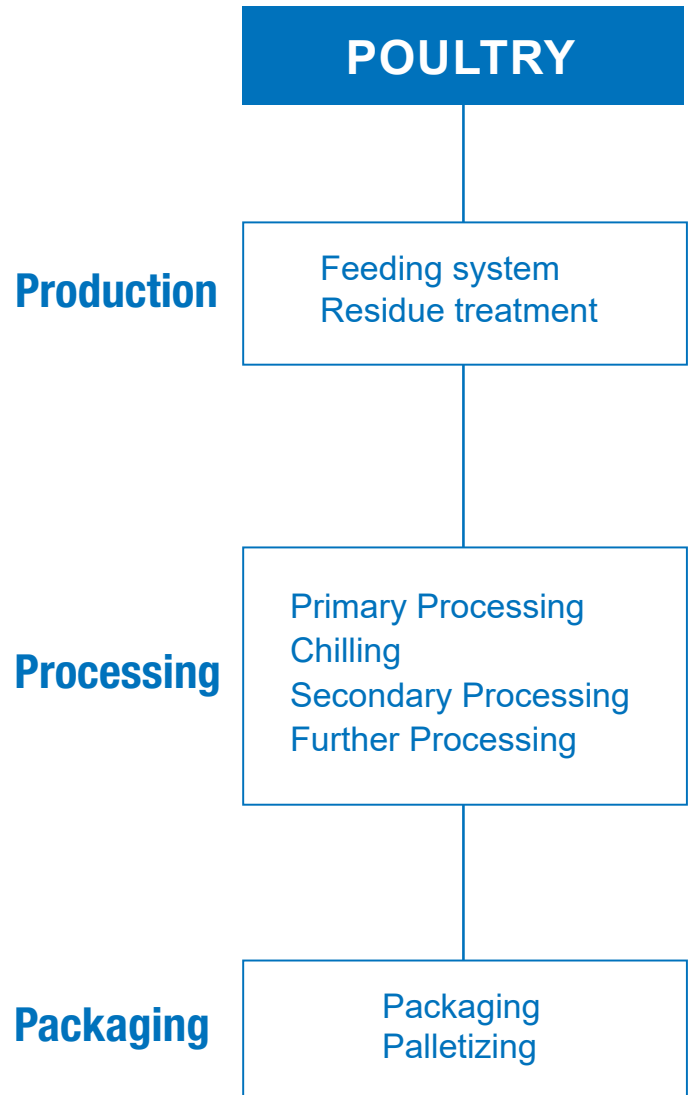
NORD DRIVESYSTEMS provides systems for CIP area installation and machine integration.

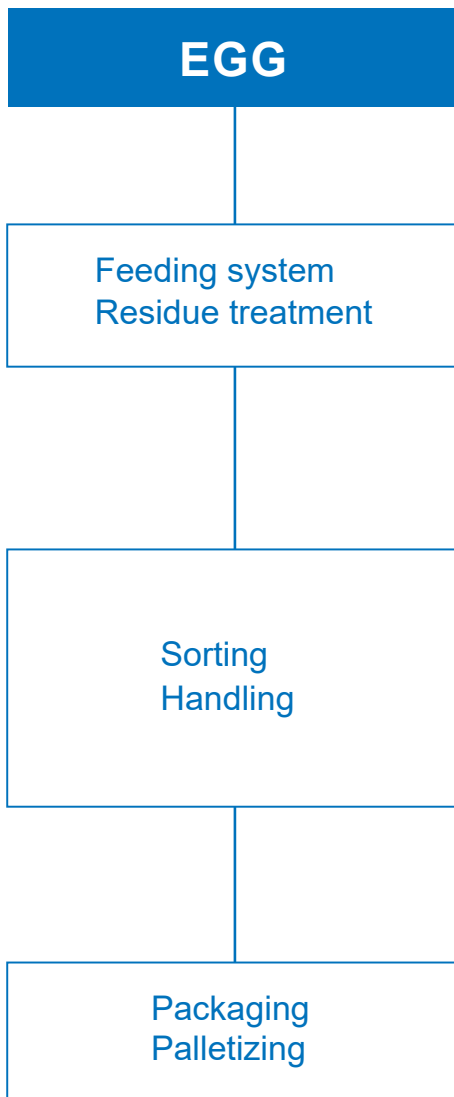
- Smooth washdown surfaces on all drive components
- Stainless steel fittings
- IP66 or optional IP69K
- FDA-compliant sealed aluminum surface tolerating PH 2-12

## Dosing, Sorting

NORD DRIVESYSTEMS provides ideal solutions for dynamic needs of dosing and sorting applications.

- Compact, lightweight aluminum drive units
- Cabinet-installed and motor-mounted VFDs for positioning with encoder feedback
- High-quality paints or sealed surfaces for easy cleaning
- Motion control and safety function





## Heating, Cooling, Freezing

NORD DRIVESYSTEMS provides drive solutions adapted to extreme temperatures.

- Various fan/fan-less configurations
- H1 low-/high-temperature food-grade oils, hydrophobic bearing lubricants
- Condensation drains
- Stainless steel fittings
- High-tech status and maintenance monitoring systems

## Packaging

NORD DRIVESYSTEMS provides efficient systems for intermittent and continuous operation.

- Compact size, plug-and-play connections
- VFDs for motor or wall mounting
- Encoders for precise positioning
- High-quality paints or sealed surfaces for easy cleaning

## Palletizing, Handling

NORD DRIVESYSTEMS provides precise positioning and dynamic motion solutions.

- Compact, lightweight aluminum drive units
- Cabinet-installed and motor-mounted VFDs for positioning with encoder feedback
- High-quality paints or sealed surfaces for easy cleaning
- Soft start, deceleration ramp, brake and STO functions

## Preventative Maintenance

NORD DRIVESYSTEMS provides intelligent unit monitoring systems.

- Integrated monitoring technology mounted or operated remotely
- Indicates necessary maintenance with convenient long-range signal design
- Units built for easy maintenance

# EFFICIENT, RELIABLE, AND PROVEN IN DEMANDING CONDITIONS

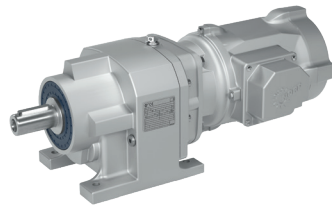
## Paint Options

NORD offers a variety of paint coatings and surface treatments. All are independently verified to resist chemicals and other substances that could have a negative environmental impact. In addition, NORD paints are suitable for the food industry and meet NSF/ANSI 51-2009e requirements.

- **NORD Severe Duty 2 and 2+**  
For indoor installation and protected outdoor installation (i.e.. open, unheated halls)
- **NORD Severe Duty 3 and 3+**  
Outdoor installation, city and industrial atmosphere with low contamination
- **NORD Severe Duty - Food 3 and 3+**  
For food packaging areas
- **NORD Severe Duty 4 and 4+**  
Outdoor installation, city and industrial atmosphere with moderate contamination
- **NORD Severe Duty 5 and 5+**  
Outdoor installation, city and industrial atmosphere with high contamination.
- More than 100 color options or let us custom match to your specifications
- Anti-static powder coatings that are ideal for electrical products and are free of solvents

Plus (+) notes an additional antimicrobial clear coating.

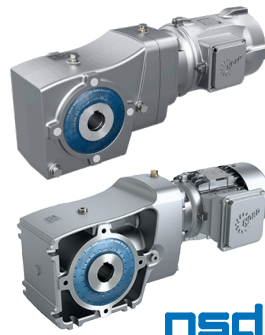
## NORDBLOC®.1 Helical Gear Units



- ✓ Foot or flange-mounted
- ✓ Corrosion-resistant aluminum alloy housing (*cast iron SK 772.1 and up*)
- ✓ Long bearing life
- ✓ High permissible radial and axial forces

Sizes	16
Power	0.16 - 60 HP (0.11 - 44.7 kW)
Ratio	1.07 - 456.77:1
Efficiency	Up to 97%

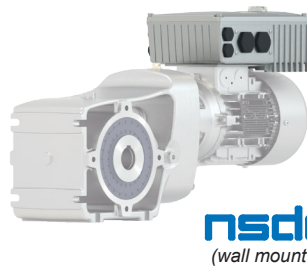
## 2-stage Bevel Gear Units



- ✓ Foot, flange, or face mounted
- ✓ Hollow or solid shaft
- ✓ Compact design
- ✓ Aluminum alloy housing

Sizes	6
Power	0.16 - 12 HP (0.11 - 8.95 kW)
Torque	Up to 5,800 lb-in
Ratio	3.03 - 70:1
Efficiency	Up to 97%

## NORDAC® BASE Variable Frequency Drives



- ✓ Motor mounted
- ✓ Sensorless current vector control (ISD)
- ✓ Integrated PLC
- ✓ Protection Class IP55/IP66/IP69K

Sizes	2
Voltage	1~ 110 – 120 V, 200 – 240 V 3~ 200 – 240 V, 380 – 500 V
Power	0.33 - 3.0 HP (0.25 – 2.2 kW)

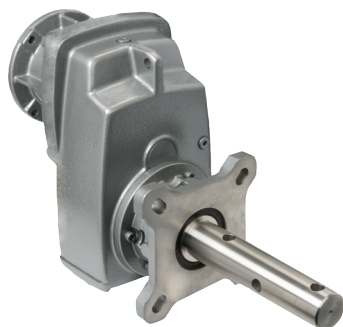
## NORDAC® FLEX Variable Frequency Drives



- ✓ Energy saving function
- ✓ Integrated PLC; POSICON positioning
- ✓ Protection Class IP55/IP65

Sizes	4
Voltage	1~ 110 – 120 V, 200 – 240 V 3~ 200 – 240 V, 380 – 500 V
Power	0.33 - 30 HP (0.25 – 22 kW)

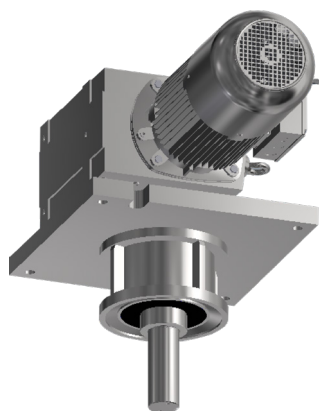
## Screw Conveyor Package



- ✓ Direct coupled input design
- ✓ No top mounts, pulleys, belts, or guards
- ✓ Closely stepped speed reduction ratios
- ✓ Compact and cost effective
- ✓ Versatile flange, multiple bolt patterns
- ✓ CEMA shaft sizes: 1-1/2", 2", 2-7/16", 3", and 3-7/16"

Power	0.16 - 60 HP (0.11 - 44.7 kW)
Torque	Up to 53,100 lb-in
Ratio	4.32 - 4,246.38:1
Efficiency	Up to 97%

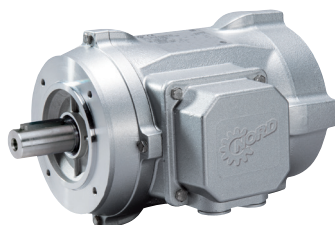
## Overhead Conveyor Drives



- ✓ Designed with a mounting flange and output shaft that easily drop into industry-standard footprints.
- ✓ High overhung load capacity
- ✓ QUADRALIP™ sealing system
- ✓ Spread bearing design with dry cavity for optimized oil leakage protection
- ✓ Low maintenance, long service life

Sizes	3
Power	0.33 - 60 HP (0.25 - 44.7 kW)
Ratio	8.10 - 3,735.92:1
Efficiency	Up to 95%

## Smooth Body Motors



- ✓ Smooth body design optimal for washdown environments
- ✓ Resistant to peeling, corrosion resistance across a wide pH range
- ✓ Moisture resistant varnish dipped windings
- ✓ Sealed and gasketed terminal boxes
- ✓ IEC and integral mounting options
- ✓ Compact design
- ✓ Increased reliability, low maintenance

Power	0.5 - 1.5 HP (0.12 - 2.2 kW)
-------	------------------------------

## nsd tupH

Molecular conversion process ensures aluminum alloy products have the surface protection wash-down applications require.

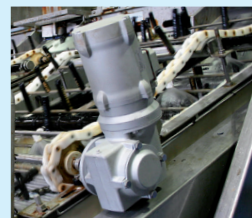
- Cost-effective alternative to stainless steel
- Corrosion-resistant and won't blister or flake
- Easy-to-clean surfaces
- Resistant to acids and alkalis (wide pH range)

The complete solution for extreme conditions:

- Surface-treated housing components
- DIN and standard stainless steel components
- Wash-down housing (gear unit and motor)
- Stainless steel shafts; special shaft sealing rings

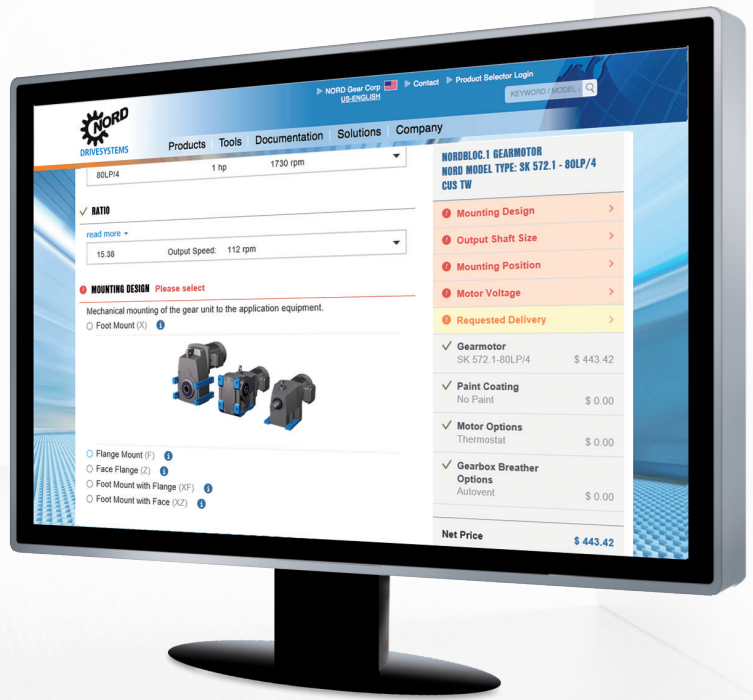
nsd tupH™ is available with:

- NORDBLOC® .1 inline, 2 stage bevel, and MINICASE™ worm gear units
- Smooth motors
- Electronics NORDAC® START and NORDAC® BASE

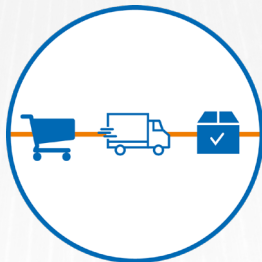
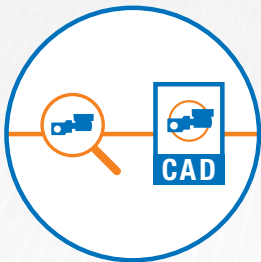


# Ordering is Easy With myNORD Online Tools!

- Obtain drawing files direct from quote configuration
- Effortlessly select & configure customized drive solutions
- Create quotes with account-specific net pricing
- Order-specific documentation
- 24/7/365 order tracking
- Select and order spare parts



Register now at [myNORD.com](http://myNORD.com)!



[www.nord.com](http://www.nord.com)

**NORD Gear Corporation - US**  
MEMBER OF THE NORD DRIVESYSTEMS GROUP  
[info.us@nord.com](mailto:info.us@nord.com)

**Waukegan, WI**  
800 NORD Drive  
Waukegan, WI 53597  
Tel. 888.314.6673

**Corona, CA**  
1180 Railroad St.  
Corona, CA 92882  
Tel. 888.314.6673

**Charlotte, NC**  
300E Forsyth Hall Dr.  
Charlotte, NC 28273  
Tel. 888.314.6673

**NORD Gear Limited - Canada**  
MEMBER OF THE NORD DRIVESYSTEMS GROUP  
[info.ca@nord.com](mailto:info.ca@nord.com)

**Brampton, ON**  
41 West Drive  
Brampton, ON L6T4A1  
Tel. 800.668.4378

