

INTELLIGENT DRIVESYSTEMS, WORLDWIDE SERVICES



EN

BU 0530

Functional Safety

Supplementary manual for series SK 500E


DRIVESYSTEMS

Table of Contents

1	Introduction	4
1.1	General	4
1.1.1	Documentation	4
1.1.2	Document History	4
1.1.3	About this manual	5
1.2	Other applicable documents	5
1.3	Presentation conventions	5
1.3.1	Warning information	5
1.3.2	Other information	5
2	Safety, installation and operating instructions.....	6
3	Function description.....	9
3.1	Safe shut-down methods	11
3.1.1	Safe Pulse Block	11
3.2	Digital inputs (DIN1 ... DIN4).....	12
3.3	Safety functions	13
3.3.1	Safe Torque Off, STO.....	13
3.3.2	Safe Stop 1, SS1	13
3.4	Examples / Implementation.....	14
3.4.1	STO function.....	14
3.4.2	SS1 Function	16
3.4.3	Simple restart block.....	18
3.4.4	Example without safe shut-down method	19
3.4.5	Ruling out wiring faults	20
4	Assembly and installation	22
4.1	Installation and assembly.....	22
4.2	Electrical connection	22
4.2.1	Wiring guidelines	22
4.2.2	Mains connection.....	22
4.2.3	Control cable connections	23
4.2.3.1	Control terminal details	24
4.3	Details of the safe shut-down method.....	34
4.3.1	Safe shut-down method - Safe Pulse Block	34
4.3.1.1	Operation with OSSD	34
4.3.1.2	EMC	34
4.3.1.3	Example – operation of multiple devices	35
5	commissioning	36
5.1	Commissioning steps for STO	36
5.2	Commissioning of SS1.....	37
5.3	Validation	37
6	Parameters.....	38
6.1	Description of parameters	38
6.1.1	Control terminals	39
6.1.2	Additional parameters.....	42
7	Operating status messages	43
8	Additional information	45
8.1	Protective switching devices	45
8.1.1	Output voltage	45
8.1.2	Switching capacity and current load	45
8.1.3	OSSD outputs, test pulses	46
8.2	Safety categories	47
8.2.1	IEC 60204-1:2005	47
8.2.2	IEC 61800-5-2:2007	47
8.2.3	IEC 61508:2010.....	47
8.2.4	ISO 13849-1:2015	48
9	Technical Data	49
9.1	Data for the safe pulse block.....	50

9.2	Data for the digital inputs	51
10	Appendix.....	52
10.1	Maintenance Instructions	52
10.2	Repair information.....	52
10.3	Service and commissioning information.....	53
10.4	Documents and software	53
10.5	Certificates	53
10.6	Abbreviations	54

1 Introduction

1.1 General

1.1.1 Documentation

Name:	BU 0530
Part number:	6075302
Series:	Functional safety for frequency inverters from the series NORDAC Pro (SK 500E ... SK 545E)
Scope of application:	SK 510E, SK 511E, SK 515E, SK 530E, SK 535E SK 540E / SK 545E

1.1.2 Document History

Issue	Series	Version	Remarks
Order number		Software	
BU 0530 , November 2007 6075302/ 4707	SK 530E ... SK 535E		First issue
BU 0530 , July 2010 6075302/ 2710	SK 530E ... SK 535E	V 1.8 R2	<ul style="list-style-type: none"> • Supplementation of SK 511E and sizes 5 - 6 • Update of references to standards • Inclusion of new certificates
BU 0530 , September 2012 6075302/ 3712	SK 530E ... SK 535E SK 540E ... SK 545E	V 2.0 R2 V 2.0 R2	<ul style="list-style-type: none"> • Supplementation of SK 54xE and sizes 7 – 9 • Update of technical data • Update of references to standards • Inclusion of new certificates
BU 0530 , September 2014 6075302/ 3814	SK 530E ... SK 535E SK 540E ... SK 545E	V 2.1 R0 V 2.1 R0	<ul style="list-style-type: none"> • Supplementation of sizes 10 – 11 • Update of technical data • Update of references to standards • Inclusion of new certificates
BU 0530 , March 2017 6075302/ 1217	SK 530E ... SK 535E SK 540E ... SK 545E	V 3.1 R2 V 2.3 R3	<ul style="list-style-type: none"> • Update of technical data • Update of references to standards • Transfer of certificates to www.nord.com • Various corrections

1.1.3 About this manual

This manual is intended to help you with the commissioning of the "Safe Stop" function (STO or SS1) of a frequency inverter or motor starter from Getriebebau NORD GmbH & Co. KG (NORD). It is intended for all qualified electricians who plan, install and set up corresponding drive solutions (📖 Section 2 "Safety, installation and operating instructions"). The information in this manual assumes that the qualified electricians who are entrusted with this work are familiar with the handling of electronic drive technology, in particular with NORD devices.

This manual only contains information and descriptions of the functional safety and additional information which is relevant for the functional safety of frequency inverters manufactured by Getriebebau NORD GmbH & Co. KG.

1.2 Other applicable documents

This document is only valid in combination with the operating instructions for the frequency inverter which is used. Safe commissioning of the drive application depends on the availability of the information contained in this document.. A list of the documents can be found in 📖 Section 10.4 "Documents and software".

The necessary documents can be found under www.nord.com.

1.3 Presentation conventions

1.3.1 Warning information

Warning information for the safety of the user and the bus interfaces are indicated as follows:

 **DANGER**

This warning information warns against personal risks, which may cause severe injury or death.

 **WARNING**

This warning information warns against personal risks, which may cause severe injury or death.

 **CAUTION**

This warning information warns against personal risks, which may cause slight or moderate injuries.

NOTICE

This warning warns against damage to material.

1.3.2 Other information

 **Information**

This information shows hints and important information.

2 Safety, installation and operating instructions

Before working on or with the device, please read the following safety instructions extremely carefully. Please pay attention to all other information from the device manual.

Non-compliance can result in serious or fatal injuries and damage to the device or its surroundings.

These safety instructions must be kept in a safe place!

1. General

During operation and depending on the protection class of the devices, there may be live, bare, moving or rotating parts or hot surfaces.

The device operates with a dangerous voltage. Dangerous voltage may be present at the supply lines, contact strips and PCBs of all connecting terminals (e.g. mains input, motor connection), even if the device is not working or the motor is not rotating (e.g. caused by electronic disable, jamming of the drive or a short circuit at the output terminals).

The device is not equipped with a mains switch and is therefore always live when connected to the power supply.

Even if the drive unit has been disconnected from the mains, a connected motor may rotate and possibly generate a dangerous voltage.

If you come into contact with dangerous voltage such as this, there is a risk of an electric shock, which can lead to serious or fatal injuries.

Unauthorised removal of covers, improper use, incorrect installation or operation causes a risk of serious personal injury or material damage.

The heat sink and all other metal components can heat up to temperatures above 70°C.

Touching parts such as this can result in local burns to the body parts concerned (cooling times and clearance from neighbouring components must be adhered to).

Further information can be found in this documentation.

All transportation, installation, commissioning and maintenance work must be carried out by qualified experts (pay attention to IEC 364 or CENELEC HD 384 or DIN VDE 0100 and IEC 664 or DIN VDE 0110 and the national accident prevention regulations).

2. Qualified experts

For the purposes of these basic safety instructions, qualified personnel are persons who are familiar with the assembly, installation, commissioning and operation of this product and who have the relevant qualifications for their work.

Furthermore, the device and the associated accessories may only be installed and started up by qualified electricians. An electrician is a person who, because of their technical training and experience, has sufficient knowledge with regard to

- switching on, switching off, isolating, earthing and marking power circuits and devices,
- proper maintenance and use of protective devices in accordance with defined safety standards.

3. Correct purpose of use – general

The frequency inverters are devices for industrial and commercial systems used for the operation of three-phase asynchronous motors with squirrel-cage rotors and Permanent Magnet Synchronous Motors – PMSM. These motors must be suitable for operation with frequency inverters, other loads must not be connected to the devices.

The devices are components intended for installation in electrical systems or machines.

2 Safety, installation and operating instructions

Technical data and information for connection conditions can be found on the rating plate and in the documentation, and must be complied with.

The devices may only be used for safety functions which are described and explicitly approved.

CE-labelled devices fulfil the requirements of the Low Voltage Directive 2014/35/EU. The stated harmonized standards for the devices are used in the declaration of conformity.

a. Supplement: Correct purpose of use within the European Union

When installed in machines, the devices must not be commissioned (i.e. commencement of proper use) until it has been ensured that the machine fulfils the provisions of EC Directive 2006/42/EC (Machinery Directive); EN 60204 must also be complied with.

Commissioning (i.e. start-up of proper use) is only permitted if the EMC directive (2014/30/EU) has been complied with.

b. Supplement: Correct purpose of use outside the European Union

The local conditions of the operator for the installation and commissioning of the device must be complied with at the usage location (see also "a) Supplement: Correct purpose of use within the European Union").

4. Transport, storage

The information in the manual regarding transport, storage and correct handling must be complied with.

5. Installation

Ensure that the device and the motor are specified for the correct supply voltage.

The installation and cooling of the equipment must be implemented according to the regulations in the corresponding documentation.

The devices must be protected against impermissible loads. Especially during transport and handling, components must not be deformed and/or insulation distances must not be changed. Touching of electronic components and contacts must be avoided.

The devices contain electrostatically sensitive components, which can be easily damaged by incorrect handling. Electrical components must not be mechanically damaged or destroyed (this may cause a health hazard!).

6. Electrical connection

Installation and work must not be carried out unless the device has been disconnected from the voltage and at least 5 minutes has elapsed since the mains was switched off! (The equipment may continue to carry hazardous voltages for up to 5 minutes after being switched off at the mains).

When working on live devices, the applicable national accident prevention regulations must be complied with (e.g. BGV A3, formerly VBG 4).

The electrical installation must be implemented as per the applicable regulations (e.g. cable cross-section, fuses, earth lead connections). Further instructions can be found in the documentation.

Information regarding EMC-compliant installation (such as shielding, earthing, location of filters and routing of cables) can be found in the documentation for the devices. CE marked devices must also comply with these instructions. Compliance with the limit values specified in the EMC regulations is the responsibility of the manufacturer of the system or machine.

In case of a fault, insufficient earthing may cause an electric shock with possibly fatal consequences if the device is touched.

Because of this, the device is only intended for permanent connection and may not be operated without effective earthing connections which comply with local regulations for large leakage currents (> 3.5 mA).

The voltage supply of the device may directly or indirectly put it into operation, or touching electrically conducting components may then cause an electric shock with possible fatal consequences.

All phases of all power connections (e.g. power supply) must always be disconnected.

7. Operation

Do not use defective devices or devices with defective or damaged housings or missing covers. Otherwise there is a risk of serious or fatal injuries caused by electric shock or bursting electrical components such as powerful electrolytic capacitors.

Where necessary, systems in which the devices are installed must be equipped with additional monitoring and protective equipment according to the applicable safety requirements (e.g. legislation concerning technical equipment, accident prevention regulations, etc.).

The parametrisation and configuration of the devices must be selected so that no hazards can occur.

All covers must be kept closed during operation.

With certain setting conditions, the device or the motor which is connected to it may start automatically when the mains are switched on. The machinery which it drives (press / chain hoist / roller / fan etc.) may then make an unexpected movement. This may cause various injuries, including to third parties.

Before switching on the mains, secure the danger area by warning and removing all persons from the danger area.

8. Maintenance and repairs

Live equipment components and power connections should not be touched immediately after disconnecting the devices from the power supply because of possible charged capacitors. Observe the applicable information signs located on the device.

Further information can be found in this documentation.

9. Potentially explosive environment (ATEX)

The device is not approved for operation or maintenance work in potentially explosive environments (ATEX).

3 Function description

To avoid danger to persons and to prevent damage to material, machines must be able to be switched off safely. The frequency inverters stated in this document provide safe shut-down methods.

The following basic explanation of the function of a frequency inverter serves to provide better understanding of the function of safe shut-down methods:

The mains voltages are rectified and the resulting DC links circuit voltage is reconverted to AC according to the requirements of the operating status of the motor (frequency and voltage).

The semiconductor switches of the inverter (T1 to T6) are controlled by a highly complex pulse pattern. This pulse pattern is generated by the micro-controller (μC) and amplified by the driver. The drivers convert the logic signals on the control voltages of the semiconductor switch. The semiconductor switches are switched via the control voltage and the pulse pattern is amplified and applied to the motor terminals. Due to the low-pass effect of the motor, a three-phase pulse width modulated sine wave voltage, a three-phase system, results from the pulsed voltage. The motor generates a torque.

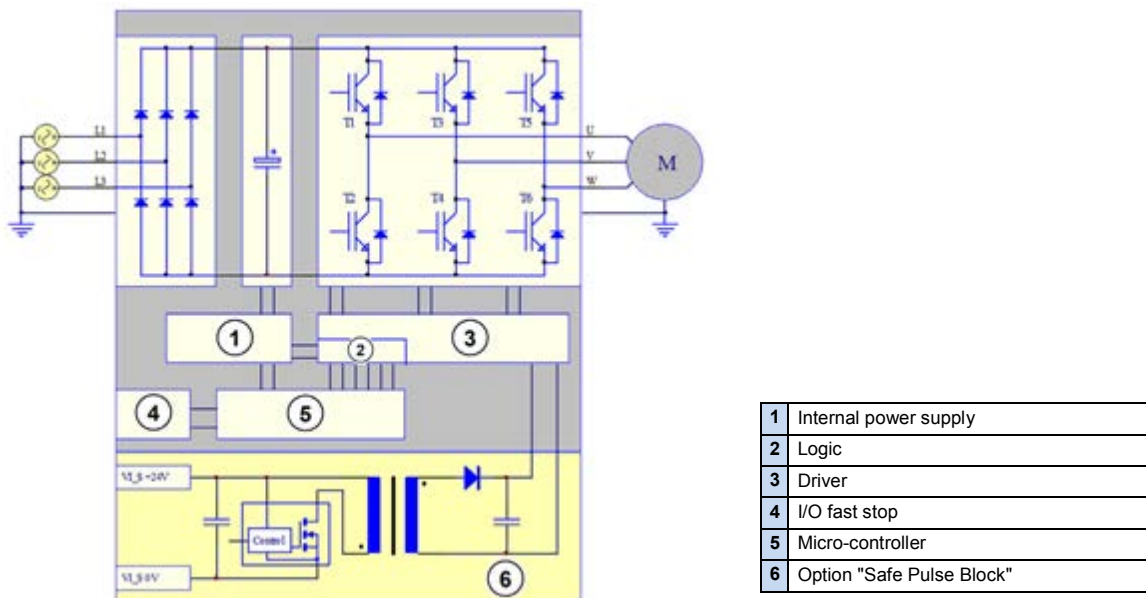


Figure 1: Structure of Safe Pulse Block, Size 1 to 4

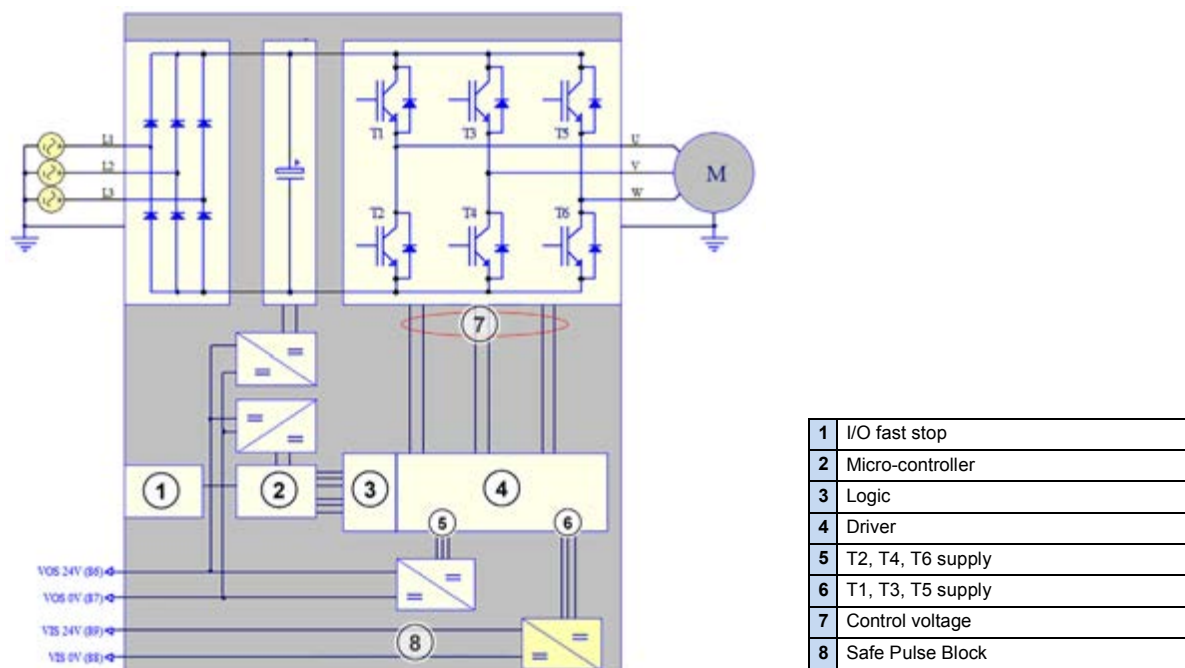


Figure 2: Structure of Safe Pulse Block, Size 5 to 7

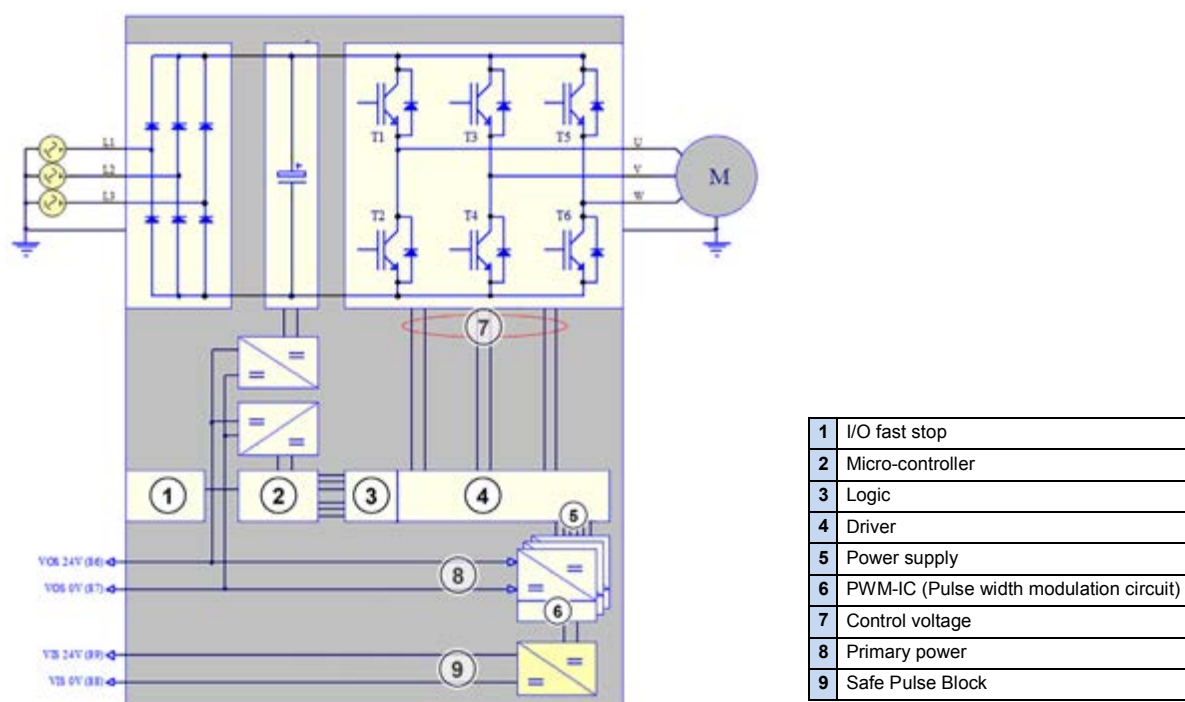


Figure 3: Structure of Safe Pulse Block, Size 8 to 11

By the use and combination of safe shut-down methods and digital inputs (DIN1 ... DIN4) the safety-related stop functions STO and SS1 as well as a simple restart block can be implemented with various safety and performance levels.

3.1 Safe shut-down methods

With a safe shut-down method, the torque is switched off and a stop function is carried out. As this has priority over other control functions this stop-function is suitable for stopping in emergencies. This function is known as "Safe Torque Off" or STO.

The safe switch-off of the torque according to the STO safety function depends on the interruption of the flow of current to the motor.

The following switch-off methods are available for this:

- "Safe Pulse Block"

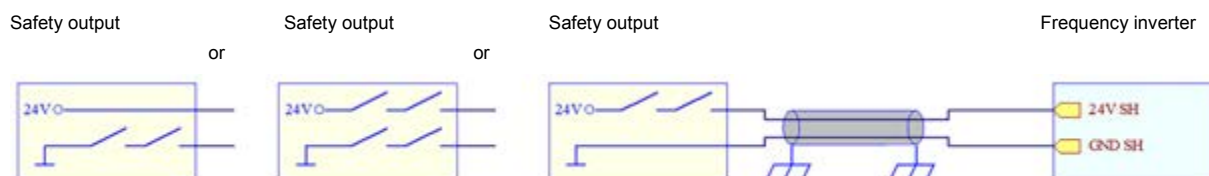
It is also possible to first stop the motor in a controlled manner and then to switch off the torque. This function is referred to as "Safe Stop 1" or SS1

3.1.1 Safe Pulse Block

Devices equipped with a "Safe Pulse Block" have an additional DC/DC converter, which produces the supply voltage for the driver from a 24V supply (Contacts **24V_SH**, **GND_SH**).

If the external 24 V voltage is switched off then the DC/DC converter does not transmit any power to the drivers. As the drivers are now no longer supplied with power, no pulses reach the semiconductor switches (T1 to T6) of the inverter. The flow of current in the semiconductor switches and in the motor is interrupted i.e. after a certain reaction time of the electronics and the reduction time of the motor current, the motor does not develop a driving torque.

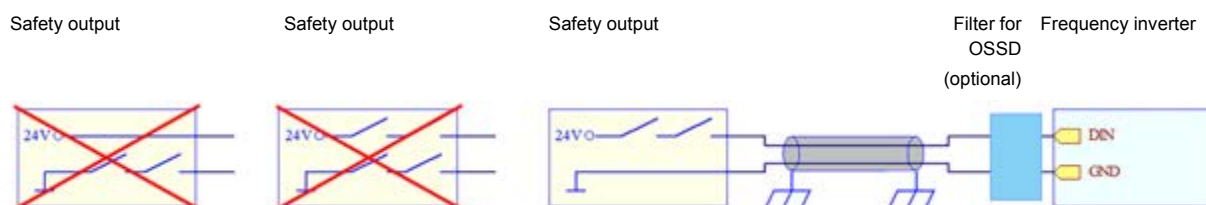
The switch-off of the 24V supply via contacts 24V_SH, GND_SH must be carried out by a fail-safe switching device. For this, either the contact **24V_SH** or the connection **GND_SH** contact may be disconnected from the 24V source. Preferably, the **24V_SH** connection is disconnected



3.2 Digital inputs (DIN1 ... DIN4)

In order to implement a safety function, the digital inputs (DIN1 ... DIN4) can be used as auxiliary inputs, e.g. for the triggering of a braking process. It should be noted that the digital inputs only fulfil minimum safety requirements. A safe shut-down method is always required!

The digital inputs, further I/Os and the 24 V supply have a common earth. This means that a digital input may only be switched off by disconnection of its connection. **Switch-off via GND is not possible!**



When operating with an OSSD a filter is only required for environments with high levels of interference.

If only low levels of functional safety are required, the safety function can also be implemented with the digital inputs. It is recommended that this is only considered if the risk assessment has shown that slight (normally temporary) injuries could result on failure of the safety function (see also [📖](#) Section 8.2). In case of doubt, a safe shut-down method should always be used.

3.3 Safety functions

WARNING

Mechanical brake failure

Control of a mechanical brake by means of the frequency inverter is not fail-safe!

Triggering of the "STO" function causes the application of a mechanical brake which is controlled by the frequency inverter. The brake takes on the entire load of the drive units with all of its rotating masses and attempts to stop it.

A brake which is not designed for this (e.g. a holding brake) may be damaged and may fail. This can result in severe or even fatal injuries or damage to the system, e.g. due to falling loads (lifting gear).

Therefore, with the use of a brake

- This must be designed as an operating brake, or
 - It must be ensured that the drive unit is stopped before the "STO" function is activated.
-

3.3.1 Safe Torque Off, STO

With the STO function the drive torque is switched off as quickly as possible (see Technical Data → Reaction Time) and the drive (motor and machine) runs down to a standstill. This behaviour corresponds to stop category 0 (uncontrolled braking) according to EN 60204-1. Therefore an undefined time elapses before the drive unit does not carry out any further hazardous movement and a safe state is achieved. Detection of whether or when the drive unit has achieved a safe state is not integrated into the frequency inverter.

Depending on the switching equipment used and the use of a safe shut-down method, an STO function with Safety Category 4 as per DIN EN ISO 13849-1 can be implemented.

3.3.2 Safe Stop 1, SS1

With the function SS1 the motor is initially braked by the frequency inverter. After standstill, the function STO is switched to. This behaviour corresponds to stop category 1 (controlled braking) according to EN 60204-1. Switching to the STO function can be monitored after reaching standstill or can be carried out via a fail-safe timing relay (delayed output of a safety circuit device).

Information

Controlled braking

Controlled braking is triggered via a digital input and only complies with low safety requirements!

If controlled braking fails, the function switches over to STO.

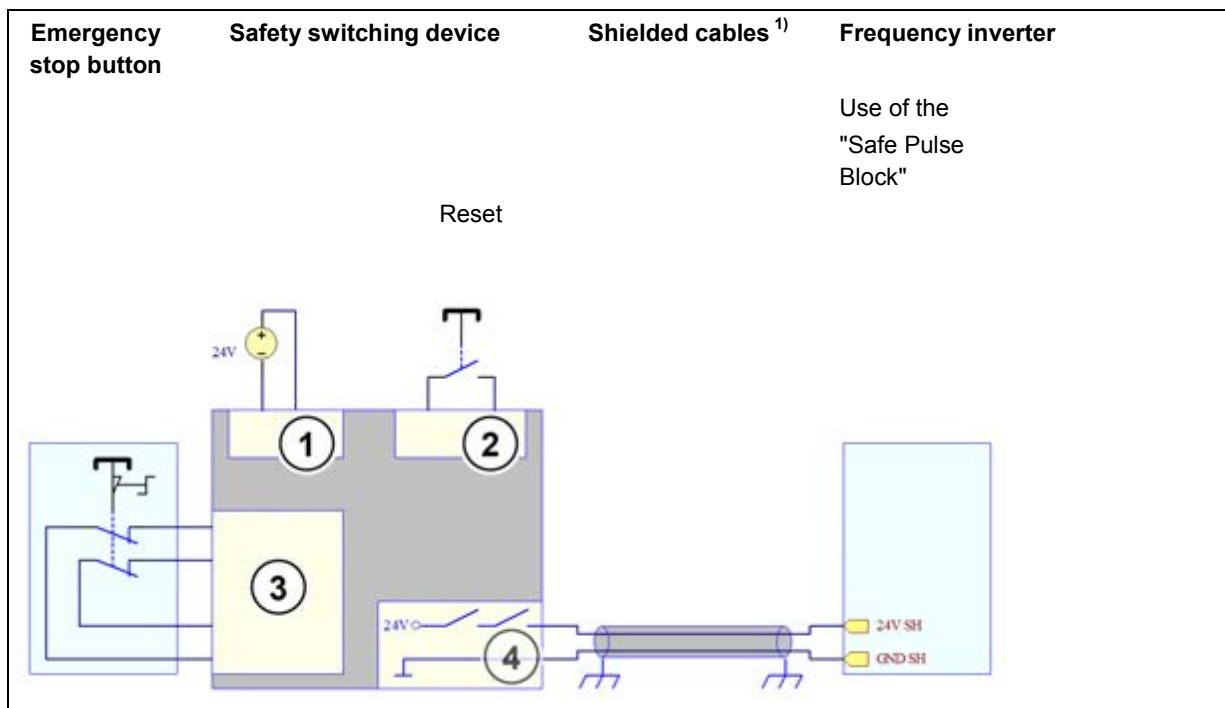
If necessary, the braking process must be monitored.

3.4 Examples / Implementation

The following illustrates several examples of solutions for the safety functions STO and SS1.

3.4.1 STO function

Implementation of a safety function usually requires the use of a protective switching device. The safety category of the function is determined by the component with the lowest category.



1) Shielded cables to exclude faults as per DIN EN ISO 13849-2

1	Supply voltage
2	Reset circuit
3	Input circuit with cross-circuit detection
4	Safety output

In this example, Safety Category 4 as per DIN ISO 13849-1 can be achieved. The prerequisite for this is that the emergency stop button, the protective switching device and the wiring fulfil the requirements for Category 4. For example, this can be achieved as follows:

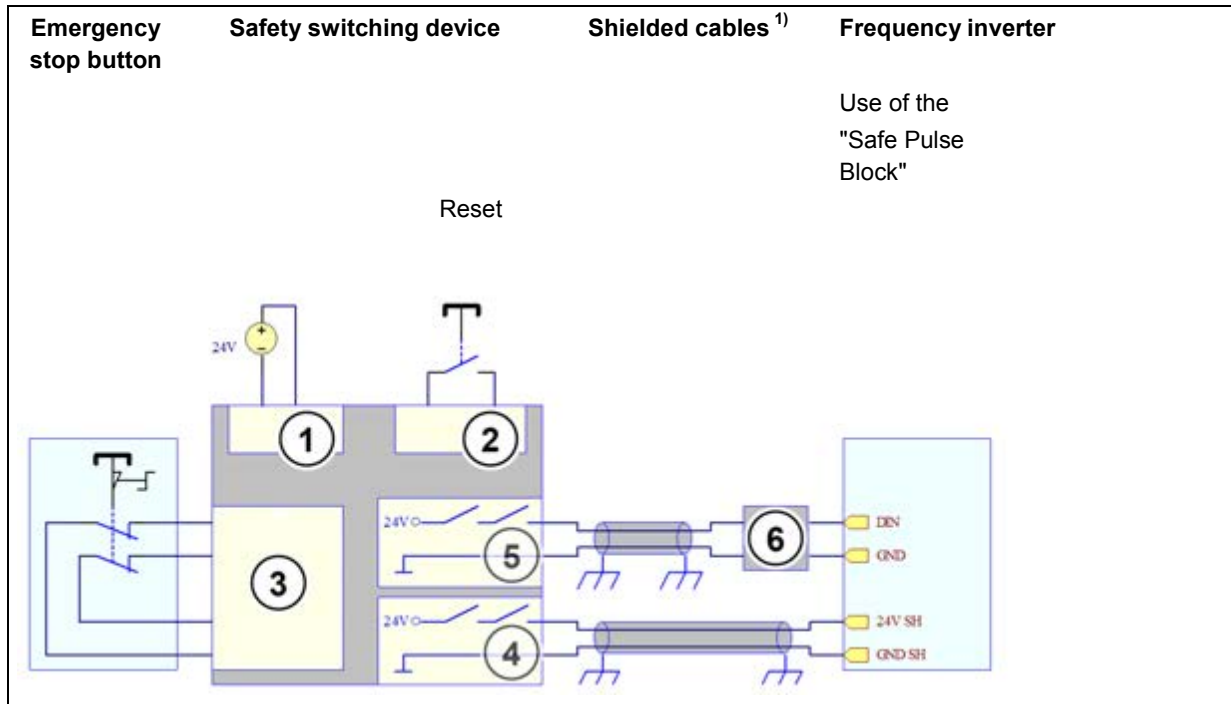
- Redundant protective switching device with self-monitoring
- Dual-channel input circuit with cross-wire recognition (and appropriate emergency stop button)
- Safety output with periodic switch-off tests (OSSD)
- Exclusion of faults as per DIN ISO 13849-2 for the wiring between the switching device and the input terminals of the safe shut-down method, by the use of a shielded cable and connection of the shield at both ends.

If the "Safe Pulse Block" is triggered for an enabled frequency inverter, this results in an error **E018** (18.0 "Safety Circuit").

To prevent this, a digital input (**DIN1 ... DIN4**) can be parameterised with the function "10" ("Block Voltage").

The typical reaction time can be reduced by the additional use of a digital input. A second safety output is required to control the digital input.

This solution is preferable, especially in cases where the switching device only checks its safety outputs in the course of an enabling cycle, as is the case with some electro-mechanical switching devices. A suitable checking interval must be specified according to the safety requirements.



1) Shielded cables to exclude faults as per DIN EN ISO 13849-2

1	Supply voltage
2	Reset circuit
3	Input circuit with cross-circuit detection
4	Safety output 1
5	Safety output 2
6	Filter for OSSD (optional) – only necessary in environments with high levels of interference

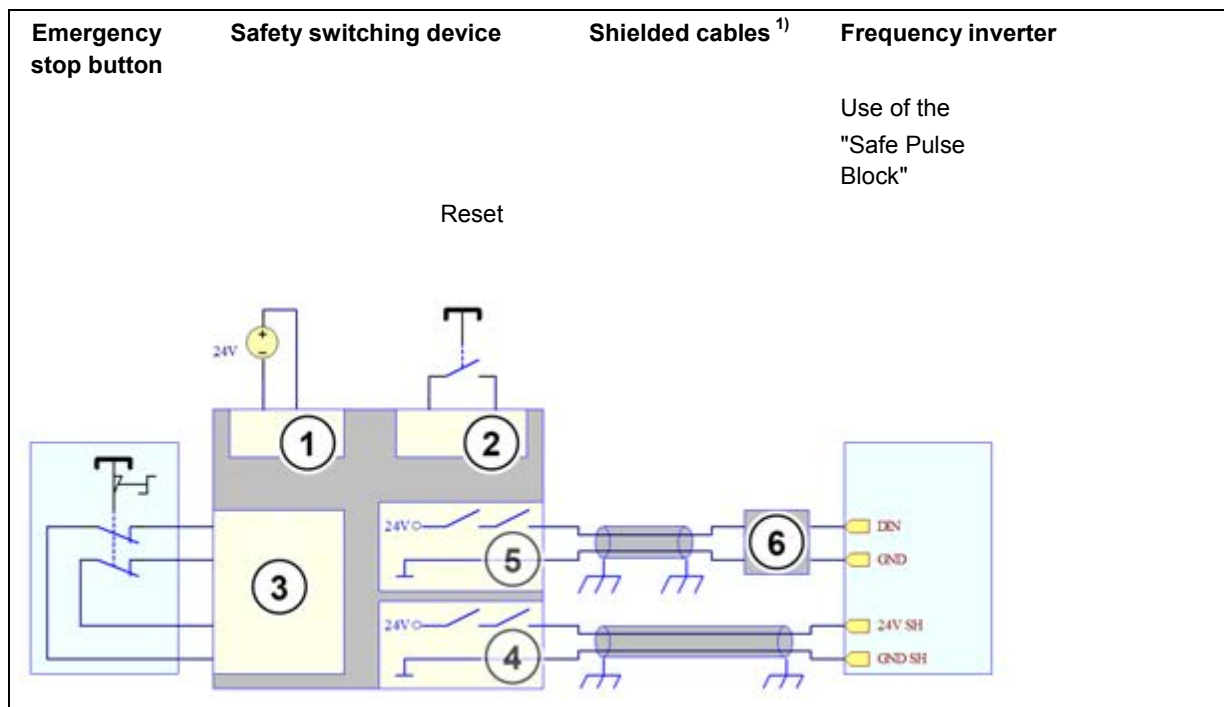
A **separate shielded cable** must be used for connecting each of the safety outputs! However, with the use of a protective switching device with cross-circuit monitoring of OSSD outputs, the cables of both safety outputs can also be run in a common shielded cable.

The requirements for Safety Category 4 are only fulfilled by the "Safe Pulse Block" function. The **digital inputs (DIN1 ... DIN4)** only achieve **Safety Category 1 and PL c** (Performance Level c).

During the period between activation of the safety function via a digital input and activation of the STO via the connections "24 V SH" and "GND SH" the frequency inverter can also only fulfil Safety Category 1 and PL c.

3.4.2 SS1 Function

A digital input is always necessary in order to implement the SS1 function. With this digital input, a braking action is initiated by the frequency inverter. For this, the digital input is parameterised to the function "11"(Fast Stop).



1) Shielded cables to exclude faults as per DIN EN ISO 13849-2

1	Supply voltage
2	Reset circuit
3	Input circuit with cross-circuit detection
4	Safety output 1 (delayed)
5	Safety output 2
6	Filter for OSSD (optional) – only necessary in environments with high levels of interference

Actuation of the emergency stop button (call-up of the safety function) initially triggers a controlled braking action via a digital input "DIN". In this case it must be ensured that the drive is brought to standstill within the parameterised fast stop time **P426**. After a delay time which is controlled by a protective switching device, STO is triggered. The delay time must be dimensioned so that the delay is longer than the fast stop time plus the DC run-on time **P559**. The delay time must be selected so as to be fail-safe.

After the delay time which is set in the protective switching device has elapsed, the frequency inverter always switches to the **STO** function. This also applies in the case of failure of the controlled braking action.

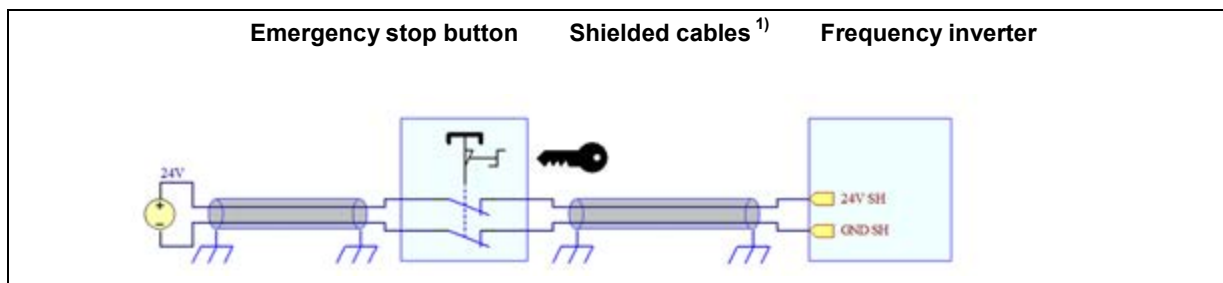
A **separate shielded cable** must be used for connecting each of the safety outputs! However, with the use of a protective switching device with cross-circuit monitoring of OSSD outputs, the cables of both safety outputs can also be run in a common shielded cable.

The requirements for Safety Category 4 are only fulfilled by the "Safe Pulse Block" function. The **digital inputs (DIN1 ... DIN4)** only achieve **Safety Category 1 and PL c** (Performance Level c).

During the period between activation of the safety function via a digital input and activation of the STO via the connections "24 V SH" and "GND SH" the frequency inverter can also only fulfil Safety Category 1 and PL c.

3.4.3 Simple restart block

Safety Category 4 as per DIN ISO 13849-1 can be achieved with a direct dual-channel triggering of the "Safe Pulse Block" with the aid of a safe switching element. The following illustration shows an example with an emergency stop switch (positively opening contacts, Safety Category 4).



1) Shielded cables to exclude faults as per DIN EN ISO 13849-2

To achieve Safety Category 4, fault exclusion as per EN 13849-2 Section D.5 must be possible for the upstream components (hard-wiring and dual-channel button with independent, positive-opening contacts) i.e., in this example, the emergency-stop button and the wiring must be designed in such a way that short-circuiting at the emergency-stop button and to other live systems can be ruled out.

In this example, there is no reset circuit as is the case with the protective switching devices. If the result of risk analysis is that cancellation of the stop command must be acknowledged by intended manual action, then the resetting requirements can be fulfilled organisationally (e.g. by an emergency stop button with key releasing device and storage of the key away from the machine).

If the "Safe Pulse Block" is triggered for an enabled frequency inverter, this results in an error **E018** (18.0 "Safety Circuit").

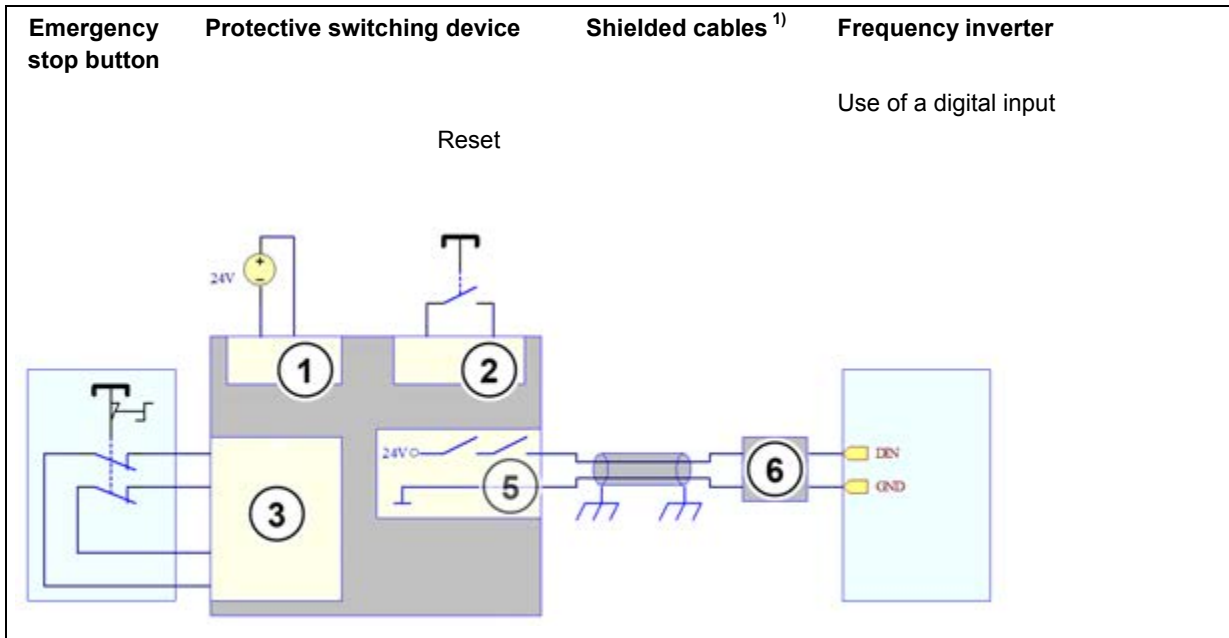
i Information

Functions P428 and P506

With use of the function **P506** "Automatic Fault Acknowledgement" And **P428** "Automatic Start" (refer to the description in the manual BU 0500 / BU 0505) the drive unit starts immediately after the emergency stop button has been released. Because of this, it is urgently recommended that these functions are not used in combination and especially not for safety-relevant applications.

3.4.4 Example without safe shut-down method

It is only possible to implement the safety functions STO or SS1 with a digital input and a protective switching device. However, with this switching variant, according to DIN EN ISO 13849-1 the maximum safety category which can be achieved is Safety Category 1. However, the condition for this is that in addition to the digital input, all other components (protective switching device, emergency stop button, wiring) also fulfil the requirements for Category 1.



1) Shielded cables to exclude faults as per DIN EN ISO 13849-2

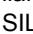
1	Supply voltage
2	Reset circuit
3	Input circuit with cross-circuit detection
4	Not available
5	Safety output
6	Filter for OSSD (optional) – only necessary in environments with high levels of interference


To implement the safety function STO, the digital input is parameterised to function "10" (Block Voltage).

For the safety function SS1 the digital input is parameterised with function "11" ("Fast Stop"). The fast stop time is set via parameter **P426**. It must be ensured that the drive is actually brought to standstill within the parameterised fast stop time.

Information

Safety category

Implementation of safety switching without a safe shut-down method (as described above) only enables compliance with Safety Category 1 (or Performance Level c) as a maximum. This switching variant also does not have SIL capability ( Section 8.2 "Safety categories")

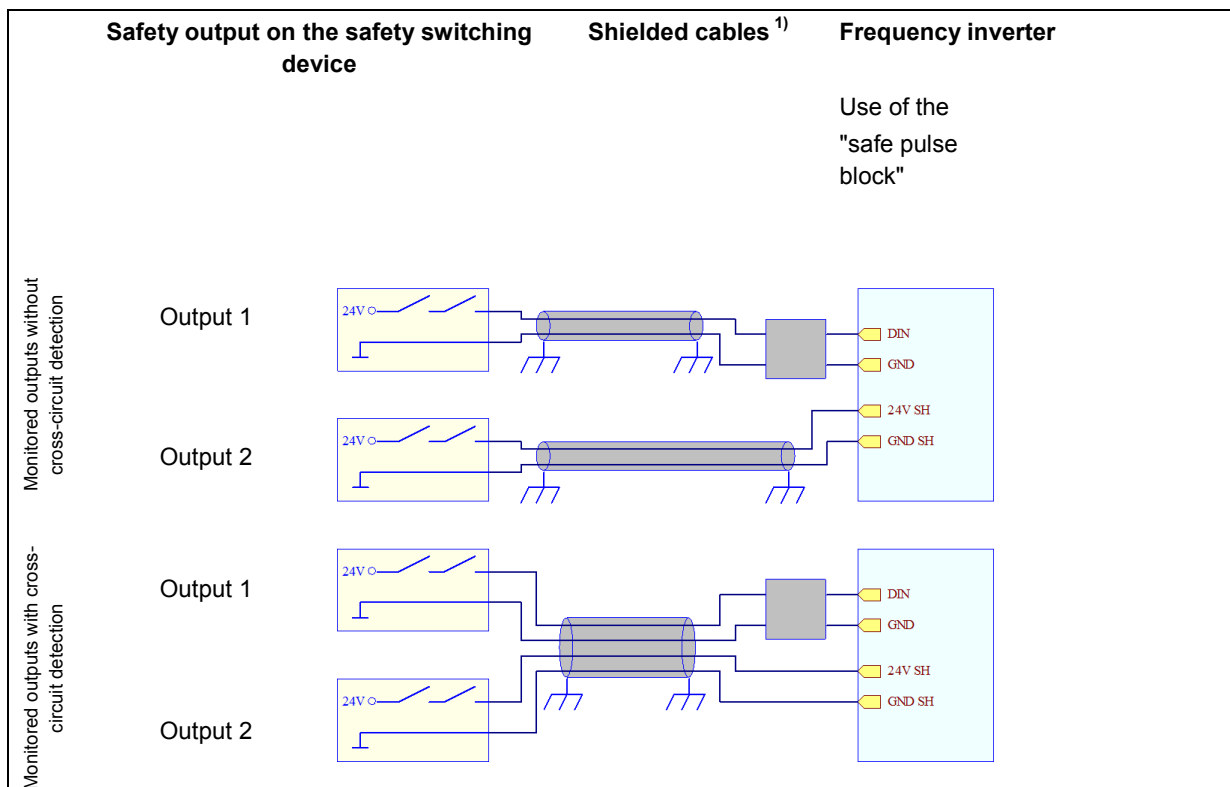
This switching version should therefore only be considered if only low requirements for functional safety need to be fulfilled and if the risk assessment has shown that failure of the safety function can only result in slight (usually temporary) injuries (Section 8.2 "Safety categories"). In case of doubt, a safe shut-down method should always be used ( Section 3.1 "Safe shut-down methods")

3.4.5 Ruling out wiring faults

In the examples above, a separate shielded cable, whose shield is connected at both ends is used for each of the inputs which are used for the implementation of the safety function (see also the following illustration). These measures serve to rule out faults as per DIN EN ISO 13849-2 in case of a short circuit between any of the conductors.

This exclusion of faults is necessary in order to fulfil the requirements of Safety Category 4 as per DIN EN ISO 13849-1. This means that, neither a single detected fault or an accumulation of undetected faults can result in the loss of the safety function. A short circuit from an external voltage, e.g. from a 24V control cable, to the 24V input of a safe shut-down method could lead to the loss of a safety function i.e. this fault must be prevented by means of suitable measures.

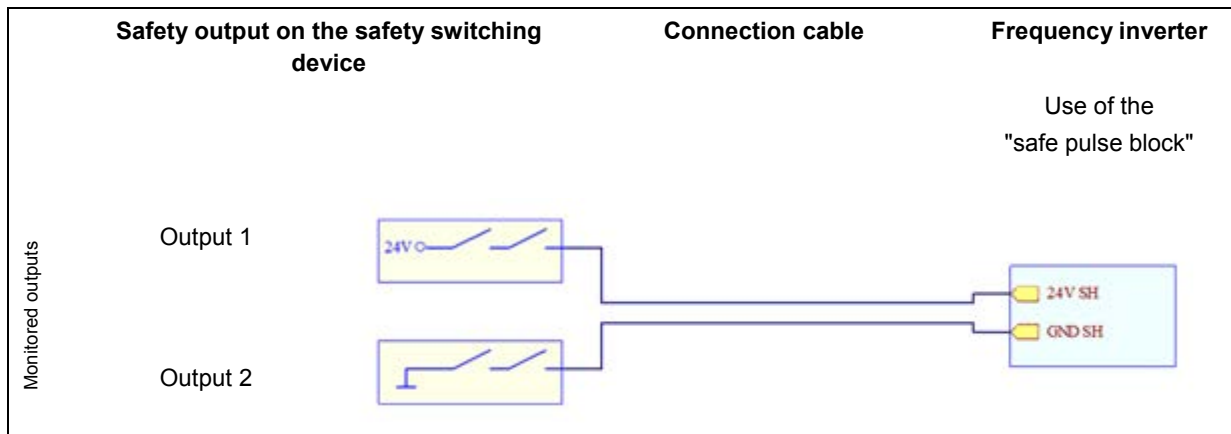
The use of a separate shielded cable for each input is not mandatory. For example, the cables for the digital inputs and the safe shut-down method may be jointly run in a shielded cable, if the monitored safety outputs of the switching device are equipped with cross-circuit detection (see the following illustration). If necessary, the effectiveness of the short-circuit detection must be demonstrated.



1) Shielded cable to exclude faults as per DIN EN ISO 13849-2, for connection of the safety outputs to a digital input with optional filter for OSSD (only necessary in environments with high levels of interference).

Other measures (separate cable duct, installation in armoured conduit, etc.) are possible. More precise details result from the risk assessment and the FMEA for the specific application.

For the "Safe Pulse Block" it is also conceivable that this is triggered via two safety outputs, one switching the 24 V output and the other switching the GND output.



In this case a shielded cable is not strictly necessary if both safety outputs are monitored. If, for example, other 24V control cables are laid in the same cable duct and a fault in the form of a short-circuit from 24V_SH to a control cable (=24 V) is assumed, this fault would be detected by the output monitoring of the switching device and the "Safe Pulse Block" would be triggered by the second safety output. More precise details result from the FMEA for the specific application.

If a shielded cable is not used for the wiring of the safety function, the effects of electromagnetic fields may need to be taken into account. Hence the use of a 1 m long cable (in a separate cable duct) in an environment without strong electromagnetic fields is relatively safe, while the installation of a long cable in the direct vicinity of a powerful transmitter or a medium voltage distributor may cause the failure of the safety function. Because of this, the use of shielded cables is generally recommended.

4 Assembly and installation

The installation instructions contained in this manual only deal with issues that are related to functional safety. For further information, please refer to the manual for the relevant frequency inverter (BU 0500 / BU 0505).

4.1 Installation and assembly

The installation instructions in BU 0500 / BU 0505 must be observed!

The frequency inverter must comply with protection class IP20. It must be installed in an adequately ventilated installation space with protection class IP54 (or higher).

4.2 Electrical connection

The information for installation or electrical connection from the manual BU 0500 / BU 0505 as well as all of the following information must be observed.

WARNING

Electric shock

Touching electrically conducting components may cause an electric shock and severe or possibly fatal injury.

- Disconnect the frequency inverter from the power supply before starting installation work.
- Only work on devices which have been disconnected from the power supply.

WARNING

Electric shock

The frequency inverter carries hazardous voltage for up to 5 minutes after being switched off.

- Only start work after a waiting period of at least 5 minutes after switching off the mains supply (disconnection).

4.2.1 Wiring guidelines


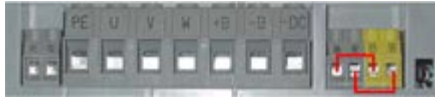
The wiring guidelines from the frequency inverter manual (BU 0500 / BU 0505) apply!

4.2.2 Mains connection

Devices which implement a safety function may only be operated on TN and TT networks. The equipment has not been designed for operation at IT and "Grounded Corner" networks.

4.2.3 Control cable connections

Depending on the size of the frequency inverter, the connection terminals for the Safe Pulse Block are located in different positions.

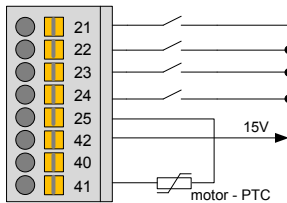
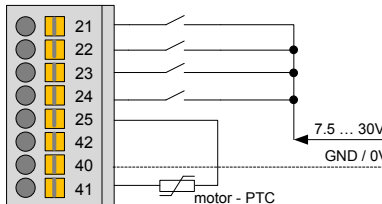
Size	1 - 4 and 8 -11	5 - 7
Name	X8	X8
Position	On the FI, underneath the control terminal cover	Underneath the FI in the region of the motor connection terminals
Detailed view		

4.2.3.1 Control terminal details

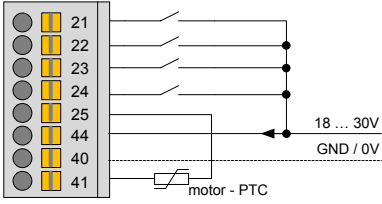
The control terminals which are relevant for connection of the Safe Pulse Block are listed below. It should be noted that the structure and function of the control terminals may differ for the particular versions of the FI. Because of this, there are several illustrations of the control terminals which are assigned to the relevant device.

Terminal block X5 – Digital In

Relevance	SK 500E	SK 505E	SK 510E	SK 511E	SK 515E	SK 520E	SK 530E	SK 535E
	√		√	√		√	√	
Terminals X5:	21	22	23	24	25	42	40	41
Designation	DIN1	DIN2	DIN3	DIN4	DIN5	VO 15V	GND/0V	VO 5V

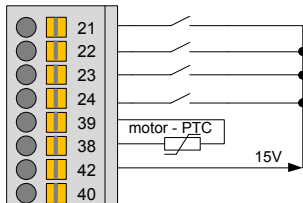
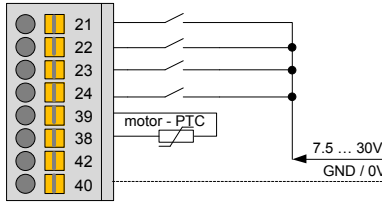
Terminal	Function [factory setting]	Data	Description / wiring suggestion	Parameter
21	Digital input 1 [ON right]	7.5...30V, $R_i=6.1k\Omega$ Not suitable for thermistor evaluation. HTL encoders can only be connected to DIN2 and DIN4 Limiting frequency: max. 10 kHz	Each digital input has a reaction time of $\leq 5ms$. Connection with internal 15V: 	P420
22	Digital input 2 [ON left]			P421
23	Digital input 3 [parameter set bit0]			P422
24	Digital input 4 [Fixed frequency 1, P429]			P423
25	Digital input 5 [no function]	2.5...30V, $R_i=2.2k\Omega$ Not suitable for evaluation of a safety device. Suitable for thermistor evaluation with 5V. NOTE: For the motor thermistor P424 = 13 must be set.	Connection with external 7.5-30V: 	P424
42	15V supply voltage output	15V \pm 20% max. 150 mA (output)	Supply voltage provided by the frequency inverter for connection to the digital inputs or the supply of a 10-30V encoder.	
40	Reference potential for digital signals	0V digital	Reference potential	
41	5V supply voltage output	5V \pm 20% max. 250 mA (output) short-circuit resistant	Voltage supply for motor-PTC	

Relevance	SK 500E	SK 505E	SK 510E	SK 511E	SK 515E	SK 520E	SK 530E	SK 535E	
		√			√			√	
Terminals X5:	21	22	23	24	25	44*	40	41	* Terminal 44: up to Size 4: VI Size 5 and above: VO
Designation	DIN1	DIN2	DIN3	DIN4	DIN5	V...24V	GND/0V	VO 5V	

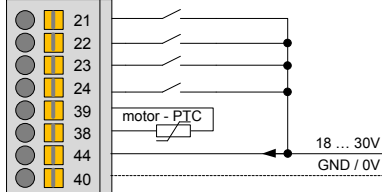
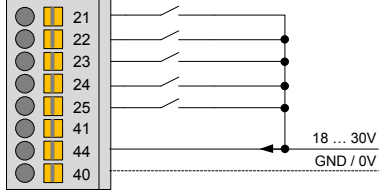
Terminal	Function [factory setting]	Data	Description / wiring suggestion	Parameter
21	Digital input 1 [ON right]	7.5...30V, $R_i=6.1k\Omega$ Not suitable for thermistor evaluation. HTL encoders can only be connected to DIN2 and DIN4 Limiting frequency: max. 10 kHz	Each digital input has a reaction time of $\leq 5ms$. 	P420
22	Digital input 2 [ON left]			P421
23	Digital input 3 [parameter set bit0]			P422
24	Digital input 4 [Fixed frequency 1, P429]			P423
25	Digital input 5 [no function]	<u>Only S1 – S4</u> 2.5...30V, $R_i=2.2k\Omega$ Not suitable for evaluation of a safety device. Suitable for thermistor evaluation with 5V. NOTE: For the motor thermistor P424 = 13 must be set. <u>Size 5 and above</u> Thermistor on X13:T1/T2		P424
44	<u>Size 1 to Size 4</u> VI 24V supply voltage input	18...30V min. 800 mA (input)	Voltage supply for the FI control unit. Is essential for the function of the frequency inverter.	
	<u>Size 5 and above</u> VO 24V supply voltage output	24V \pm 25% max. 200 mA (output) short circuit resistant	Supply voltage provided by the frequency inverter for connection to the digital inputs or the supply of a 10-30V encoder. The 24V control voltage is generated by the FI, however it can also be supplied via the terminals X12:44/40 (Size 8 and above: X15:44/40). Supply via terminal X5:44 is not possible.	
40	Reference potential for digital signals	0V digital	Reference potential	
41	5V supply voltage output	5V \pm 20% max. 250 mA (output) short-circuit resistant	Voltage supply for motor-PTC	

Terminal block X5 – Digital In

Relevance	SK 540E SK 545E √							
Terminals X5:	21	22	23	24	39	38	42	40
Designation	DIN1	DIN2	DIN3	DIN4	TF-	TF+	VO 15V	GND/0V

Terminal	Function [factory setting]	Data	Description / wiring suggestion	Parameter
21	Digital input 1 [ON right]	7.5...30V, $R_i=6.1k\Omega$ Not suitable for thermistor evaluation. HTL encoders can only be connected to DIN2 and DIN4 Limiting frequency: max. 10 kHz	Each digital input has a reaction time of $\leq 5ms$. Connection with internal 15V: 	P420 [-01]
22	Digital input 2 [ON left]			P420 [-02]
23	Digital input 3 [parameter set bit0]			P420 [-03]
24	Digital input 4 [Fixed frequency 1, P429]			P420 [-04]
39	Thermistor input -	Potential isolated thermistor input, which cannot be disabled, for monitoring the motor temperature with a PTC	Connection with external 7.5-30V: 	
38	Thermistor input +			
42	15V supply voltage output	15V \pm 20% max. 150 mA (output) short-circuit resistant	Supply voltage provided by the frequency inverter for connection to the digital inputs or the supply of a 10-30V encoder.	
40	Reference potential for digital signals	0V digital	Reference potential	

Relevance	SK 540E SK 545E √								
Terminals X5:	21	22	23	24	25 / 39	41 / 38	44*	40	* Terminal 44: up to Size 4: VI Size 5 and above: VO
Designation	DIN1	DIN2	DIN3	DIN4	DIN5 / TF-	VO 5V / TF+	V...24V	GND/0V	

Terminal	Function [factory setting]	Data	Description / wiring suggestion	Parameter
21	Digital input 1 [ON right]	7.5...30V, R _i =6.1kΩ Not suitable for thermistor evaluation. HTL encoders can only be connected to DIN2 and DIN4 Limiting frequency: max. 10 kHz	<p>Each digital input has a reaction time of ≤ 5ms.</p> <p>Size 1 to 4:</p> 	P420 [-01]
22	Digital input 2 [ON left]			P420 [-02]
23	Digital input 3 [parameter set bit0]			P420 [-03]
24	Digital input 4 [Fixed frequency 1, P429]			P420 [-04]
25	Digital input 5 [no function]	<i>available: above size 5</i>	<p>Above size 5:</p> 	P420 [-05]
39	Thermistor input -	<i>available: Size 1 - 4</i>		
38	Thermistor input +	Potential isolated thermistor input, which cannot be disabled, for monitoring the motor temperature with a PTC		
41	5V supply voltage output	<i>available: size 5 and above</i> 5V ± 10% max. 250 mA (output) not short-circuit resistant		
44	<u>Size 1 to Size 4</u> VI 24V supply voltage input	18...30V min. 800mA (input)	Voltage supply for the FI control unit. Is essential for the function of the frequency inverter.	
	<u>Size 5 and above</u> VO 24V supply voltage output	24V ± 25% max. 200 mA (output) short circuit resistant	Supply voltage provided by the frequency inverter for connection to the digital inputs or for the supply of a 10-30V encoder. The 24V control voltage is generated by the FI, however it can also be supplied via the terminals X12:44/40 (Size 8 and above: X15:44/40). Supply via terminal X5:44 is not possible.	
40	Reference potential for digital signals	0V digital	Reference potential	

Terminal block X7 – Digital I/O

Relevance	SK 500E SK 505E SK 510E SK 511E SK 515E SK 520E SK 530E SK 535E							
Terminals X7:	73	74	26	27	5	7	42	40
Designation	RS485 +	RS485 -	DIN6	DIN7	DOUT1	DOUT2	VO 15V	GND/0V

Terminal	Function [factory setting]	Data	Description / wiring suggestion	Parameter
73	Data cable RS485	Baud rate 9600...38400Baud	BUS connection parallel to RS485 on RJ12 plug NOTE: The termination resistance of DIP switch 1 (see RJ12/RJ45) can also be used for terminal 73/74.	P503 P509
74		Termination resistor R=120Ω		
26	Digital input 6 [no function]	7.5...30V, R _i =3.3kΩ	As described for terminal block X5, DIN1 to DIN5. Not suitable for the evaluation of a motor thermistor.	P425
27	Digital input 7 [no function]			P470
5	Output 3 (DOUT1) [no function]	Digital output 15V, max. 20 mA	For evaluation in a control system. The scope of functions corresponds to that of the relay (P434).	P450
7	Output 4 (DOUT2) [no function]	With inductive loads: provide protection via free-wheeling diode.		P455
42	15V supply voltage output	15V ± 20% max. 150 mA (output) short-circuit resistant	Voltage supply for connection to the digital inputs or the supply of a 10-30V encoder	
40	Reference potential for digital signals	0V digital		

Relevance	SK 500E SK 505E SK 510E SK 511E SK 515E SK 520E SK 530E SK 535E								
Terminals X7:	73	74	26	27	5	7	44*	40	* Terminal 44: up to Size 4: VI Size 5 and above: VO
Designation	RS485 +	RS485 -	DIN6	DIN7	DOUT1	DOUT2	V...24V	GND/0V	

Terminal	Function [factory setting]	Data	Description / wiring suggestion	Parameter
73	Data cable RS485	Baud rate 9600...38400Baud	BUS connection parallel to RS485 on RJ12 plug NOTE: The termination resistance of DIP switch 1 (see RJ12/RJ45) can also be used for terminal 73/74.	P503 P509
74		Termination resistor R=120Ω		
26	Digital input 6 [no function]	7.5...30V, R _i =3.3kΩ	As described for terminal block X5, DIN1 to DIN5. Not suitable for the evaluation of a motor thermistor.	P425
27	Digital input 7 [no function]			P470
5	Output 3 (DOUT1) [no function]	Digital output <u>S1 to S4</u>	For evaluation in a control system. The scope of functions corresponds to that of the relay (P434).	P450
7	Output 4 (DOUT2) [no function]	18-30V, according to VI 24V, max. 20 mA <u>above Size 5</u> DOUT1 and DOUT2: 24V, max. 200 mA With inductive loads: provide protection via free-wheeling diode.		P455
44	<u>Size 1 to Size 4</u> VI 24V supply voltage input	18...30V min. 800 mA (input)	Voltage supply for the FI control unit. Is essential for the function of the frequency inverter.	
	<u>Size 5 and above</u> VO 24V supply voltage output	24V ± 25% max. 200 mA (output) short circuit resistant	Supply voltage provided by the frequency inverter for connection to the digital inputs or the supply of a 10-30V encoder. The 24V control voltage is generated by the FI, however it can also be supplied via the terminals X12:44/40. Supply via terminal X7:44 is not possible.	
40	Reference potential for digital signals	0V digital		

<

Terminal block X7 – Digital I/O

Relevance	SK 540E SK 545E √							
Terminals X7:	73	74	26	27	5	7	42	40
Designation	RS485 +	RS485 -	DIN6	DIN7	DOUT1	DOUT2	VO 15V	GND/0V

Terminal	Function [factory setting]	Data	Description / wiring suggestion	Parameter
73	Data cable RS485	Baud rate 9600...38400Baud Termination resistor R=120Ω	BUS connection parallel to RS485 on RJ12 plug NOTE: The termination resistance of DIP switch 1 (see RJ12/RJ45) can also be used for terminal 73/74.	P503 P509
74				
26	Digital input 6 [no function]	7.5...30V, R _i =3.3kΩ	As described for terminal block X5, DIN1 to DIN5. Not suitable for the evaluation of a motor thermistor.	P420 [-06]
27	Digital input 7 [no function]			P420 [-07]
	Alternatively: Output 5 (DOUT3) [no function]	Digital output 15V, max. 20 mA	The digital input (DIN7) can also be used as a digital output (DOUT3). If P434 [-05] and P420 [-07] are parameterised with functions, a High signal of the DOUT function results in a High signal for the DIN function.	P434 [-05]
5	Output 3 (DOUT1) [no function]	With inductive loads: provide protection via free- wheeling diode.	For evaluation in a control system. The scope of functions corresponds to that of the relay (P434).	P434 [-03]
7	Output 4 (DOUT2) [no function]			P434 [-04]
	Alternatively: Digital input 8 [no function]	7.5...30V, R _i =3.3kΩ	The digital output (DOUT2) can also be used as a digital input (DIN8). If P434 [-04] and P420 [-10] are parameterised with functions, a High signal of the DOUT function results in a High signal for the DIN function.	P420 [-10]
42	15V supply voltage output	15V ± 20% max. 150 mA (output) short-circuit resistant	Voltage supply for connection to the digital inputs or the supply of a 10-30V encoder	
40	Reference potential for digital signals	0V digital		

Relevance	SK 540E SK 545E √								
Terminals X7:	73	74	26	27	5	7	44*	40	* Terminal 44: up to Size 4: VI Size 5 and above: VO
Designation	RS485 +	RS485 -	DIN6	DIN7	DOUT1	DOUT2	V...24V	GND/0V	

Terminal	Function [factory setting]	Data	Description / wiring suggestion	Parameter
73	Data cable RS485	Baud rate 9600...38400Baud Termination resistor R=120Ω	BUS connection parallel to RS485 on RJ12 plug NOTE: The termination resistance of DIP switch 1 (see RJ12/RJ45) can also be used for terminal 73/74.	P503 P509
74				
26	Digital input 6 [no function]	7.5...30V, R _i =3.3kΩ	As described for terminal block X5, DIN1 to DIN5. Not suitable for the evaluation of a motor thermistor.	P420 [-06]
27	Digital input 7 [no function]			P420 [-07]
	Alternatively: Output 5 (DOUT3) [no function]	Digital output <u>S1 to S4</u> 18-30V, according to VI 24V, max. 20 mA <u>above Size 5</u> DOUT1 and DOUT2:	The digital input (DIN7) can also be used as a digital output (DOUT3). If P434 [-05] and P420 [-07] are parameterised with functions, a High signal of the DOUT function results in a High signal for the DIN function.	P434 [-05]
5	Output 3 (DOUT1) [no function]	24V, max. 200 mA	For evaluation in a control system. The scope of functions corresponds to that of the relay (P434).	P434 [-03]
7	Output 4 (DOUT2) [no function]	With inductive loads: provide protection via free-wheeling diode.		P434 [-04]
	Alternatively: Digital input 8 [no function]	7.5...30V, R _i =3.3kΩ	The digital output (DOUT2) can also be used as a digital input (DIN8). If P434 [-04] and P420 [-10] are parameterised with functions, a High signal of the DOUT function results in a High signal for the DIN function.	P420 [-10]
44	<u>Size 1 to Size 4</u> VI 24V supply voltage input	18...30V min. 800 mA (input)	Voltage supply for the FI control unit. Is essential for the function of the frequency inverter.	
	<u>Size 5 and above</u> VO 24V supply voltage output	24V ± 25% max. 200 mA (output) short circuit resistant	Supply voltage provided by the frequency inverter for connection to the digital inputs or the supply of a 10-30V encoder. The 24V control voltage is generated by the FI, however it can also be supplied via the terminals X12:44/40. Supply via terminal X7:44 is not possible.	
40	Reference potential for digital signals	0V digital		

Information

Digital output

A digital output can be used to indicate the status of the "Safe Pulse Block". It should be noted that this status indication is not fail-safe.

Terminal block X8 – Safe pulse lock (not with 115V devices)

Relevance	SK 500E	SK 505E	SK 510E	SK 511E	SK 515E	SK 520E	SK 530E	SK 535E
			√	√			√	
Terminal X8:	86	87	88	89				
Designation	VO_S 15V	VO_S 0V	VI_S 0V	VI_S 24V				

Terminal	Function [factory setting]	Data	Description / wiring suggestion	Parameter
86	Supply voltage	Not short circuit resistant, Details: BU0530, "Technical data"	When setting-up without using a safety function, wire directly to V_IS 24V.	P420 et seq.
87	Reference potential			
88	Reference potential	Details: BU0530, "Technical data"	Fail-safe input	
89	Input 'Safe Pulse Block'			

Relevance	SK 500E	SK 505E	SK 510E	SK 511E	SK 515E	SK 520E	SK 530E	SK 535E
					√			√
Terminal X8:	86	87	88	89				
Designation	VO_S 24V	VO_S 0V	VI_S 0V	VI_S 24V				

Terminal	Function [factory setting]	Data	Description / wiring suggestion	Parameter
86	Supply voltage	Not short circuit resistant Details: BU0530, "Technical data"	When setting up without using a safety function, wire directly to V_IS 24V.	P420 et seq.
87	Reference potential			
88	Reference potential	Details: BU0530, "Technical data"	Fail-safe input	
89	Input 'Safe Pulse Block'			

Terminal block X8 – Safe pulse lock (not with 115V devices)

Relevance	SK 540E SK 545E √			
Terminal X8:	86	87	88	89
Designation	VO_S 15V	VO_S 0V	VI_S 0V	VI_S 24V

Terminal	Function [factory setting]	Data	Description / wiring suggestion	Parameter
86	Supply voltage	Not short circuit resistant Details: BU0530, "Technical data"	When setting-up without using a safety function, wire directly to V_IS 24V.	P420 [...]
87	Reference potential			
88	Reference potential	Details: BU0530, "Technical data"	Fail-safe input	
89	Input Block'			

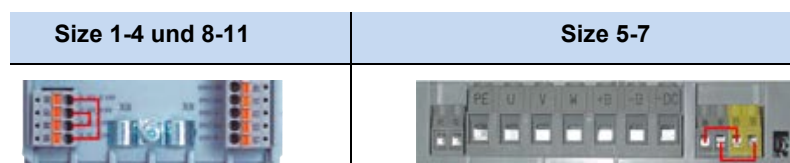
Relevance	SK 540E SK 545E √			
Terminal X8:	86	87	88	89
Designation	VO_S 24V	VO_S 0V	VI_S 0V	VI_S 24V

Terminal	Function [factory setting]	Data	Description / wiring suggestion	Parameter
86	Supply voltage	Not short circuit resistant Details: BU0530, "Technical data"	When setting-up without using a safety function, wire directly to V_IS 24V.	P420 [...]
87	Reference potential			
88	Reference potential	Details: BU0530, "Technical data"	Fail-safe input	
89	Input Block'			

Information

Removing the wire bridges

As supplied, the input of the *Safe Pulse Block* is bridged to the internal low voltage supply of the frequency inverter. These bridges enable the device to be commissioned or to enable operation even if the *Safe Pulse Block* is not used.



The bridges must be removed to enable use of the *Safe Pulse Block*. Connection of the *Safe Pulse Block* is then made via terminals **88** and **89**.

4.3 Details of the safe shut-down method

4.3.1 Safe shut-down method - Safe Pulse Block

A two-wire shielded cable must be used for the "Safe Pulse Block". The shield must be applied on both sides! The voltage drop in the cable must not exceed the following values:

- Mechanical protective switching device: $\Delta U_{\text{Cable}} \leq 3 \text{ V}$
- Electronic protective switching device: $\Delta U_{\text{Cable}} \leq 1 \text{ V}$.

$I_{\text{IN,Peak}}$ (📖 Section 9 "Technical Data" should be used to calculate the peak current.

4.3.1.1 Operation with OSSD

The Safe Pulse Block is specially designed for use with an OSSD.

The capacity between the wires (including the shield capacities) must not exceed a value of $x = 20 \text{ nF}$ for each frequency inverter which is connected.

The value x is determined as follows:

$$x = 4 \text{ nF} * t_{\text{OSSD}} / 0.1 \text{ ms} \quad \text{where } t_{\text{OSSD}} = \text{Width of the test pulse, max. } 0.5 \text{ ms}$$

Additional restrictions may apply with regard to the protective switching device.

4.3.1.2 EMC

The EMC guideline values (📖 Manual BU 0500 / BU 0505) can be complied with EMC-compliant wiring up to a cable length of 20 m between the protective switching device and the frequency inverter.

4.3.1.3 Example – operation of multiple devices

When operating several frequency inverters with one protective switching device, the switching capacity of the switching device and the load rating of the 24 V mains unit must be observed.

The shield must be correctly connected (📖 Illustrations in Section 3.1 "Safe shut-down methods").

The permissible voltage drops in the cable must be observed!

Example

Given:

- 4 frequency inverters are connected to an electronic protective switching device.
- The frequency inverters are located adjacent to each other in a system.
- 20 m must be bridged between the frequency inverters and the protective switching device.
- A 2 x 1.5 mm² cable is used.

The following applies:

$$R = \rho_{CU} * \frac{l}{q} \quad \text{with} \quad \rho_{CU} \cong 19\Omega * \frac{mm^2}{km}$$

$$I_{IN,Peak} = 0.4 \text{ A} \quad (\text{📖 Section 9 "Technical Data"})$$

Solution

Double the length of cable must be used because line drops occur in both wires.

$$R \cong 0.5\Omega$$

$$\Delta U_{Cable} = R * No.FU * I_{IN,Peak} = 0.5 \Omega * 4 * 0.4 \text{ A} = 0.8 \text{ V}$$

$$\Delta U_{Cable} \leq 1 \text{ V} \quad \rightarrow \quad \text{o.k.}$$

5 commissioning



WARNING

Electric shock

The device is not equipped with a mains switch and is therefore always live when connected to the power supply. Live voltages may therefore be connected to a connected motor at standstill.

The voltage supply of the device may directly or indirectly put it into operation, or touching electrically conducting components may then cause an electric shock with possible fatal consequences.



WARNING

Electric shock


There may be a hazardous voltage at the motor connection contacts, even if the Safe Stop ("STO" function) is active.

- Do not touch any contacts


Only the specific matters for **functional safety** during commissioning are considered in the following. For a detailed section for commissioning the FI and its basic or standard functions, as well as all of the necessary FI parameters, please refer to the frequency inverter manual BU 0500 / BU 0505.

For the implementation of a safety function (STO or SS1), in addition to a safe shut-down method, a digital input is used, which should be assigned a special function. Because of this, when commissioning, a PC with an RS232/458 interface, or alternatively a SimpleBox/ParameterBox is required for parameterisation.

5.1 Commissioning steps for STO


- A safety output of the protective switching device is connected to a safe shut-down method ( Section 3.1 "Safe shut-down methods").

Depending on the required safety category, if necessary, a wiring fault (short-circuit between any particular wires) must be able to be excluded.

It is recommended that a two-conductor shielded cable is used for the safe shut-down method and that the shield is correctly connected ( Section 3.4.5 "Ruling out wiring faults").

- The typical reaction time can be reduced by the additional use of a digital input.

For this, one of the digital inputs (DIN1 ... DIN4) is parameterised with function "10" (block voltage). For this, it is essential that the different reference potentials are observed.

It is recommended that a separate shielded cable is used for each safe shut-down method and for the digital inputs used for functional safety, and that the shields are correctly connected ( Section 3.4.5 "Ruling out wiring faults").

- The switching delay of the of the relevant digital input (see parameter **P475**) must not be used (setting "0").
- Depending on the application, disabling of the safety function may cause a hazard, so that a monitored start is necessary. In this case the "Automatic Start" (**P428**) must not be used (setting "0").

5.2 Commissioning of SS1

- A safety output of the protective switching device is connected to a digital input (see Section 3.4.2 "SS1 Function").

It is recommended that a two-conductor shielded cable is used and that the shield is correctly connected (see Section 3.4.5 "Ruling out wiring faults").

- A safe shut-down method is connected to a time-delayed safety output of the protective switching device. (see Section 3.1 "Safe shut-down methods").

It is recommended that a separate two-wire shielded cable is used for this. The cable shield must be connected at **both ends** (see Section 3.4.5 "Ruling out wiring faults").

- The selected digital input must be parameterised with function "11" (Fast Stop).



WARNING

Danger of injury due to failure of SS1

The braking characteristics of the drive unit can be influenced by various factors. Therefore, the mode "Safe Stop 1" may possibly not be correctly complied with.

In order to prevent hazards due to this, by means of a final validation in the course of commissioning it must be demonstrated that with the particular settings the requirements for the special intended use are fulfilled, and that the device will at no time be operated outside of its rated data.

For the function SS1, parameter **P426** (Fast Stop Time) and if necessary **P559**, "(DC run-on time) must be parameterised according to the requirements of the application. The delay time of the delayed safety output of the protective switching device must be rated so that it is longer than the fast stop time plus the DC run-on time.

The actual stopping time for the drive unit depends on various factors. It may deviate for the parameterised fast stop time **P426**) if, for example, one or more of the following events occur during the active fast stop.

- Achievement / Exceeding of the power limits of the FI
- Achievement / Exceeding of one or more parameterised limit values, (e.g.: **P112**, **P536**, **P537**)
- Use of direct current braking (function "Immediate DC Braking") in parameter **P108**.

With the use of the shut-down mode "Immediate DC Braking" the fast stop time is not taken into account. The same braking time (resulting from the settings in **P109**, **P110**) is used as for shut-down.

In unfavourable cases, the drive unit cannot be braked to a standstill during the parameterised fast stop time. Before the elapse of the parameterised fast stop time it switches to the the "Safe Torque Switch Off" mode (**STO**) and runs to a standstill.

- The switching delay of the of the relevant digital input (see parameter **P475**) must not be used (setting "0").
- Depending on the application, disabling of the safety function may cause a hazard, so that a monitored start is necessary. In this case the "Automatic Start" (**P428**) must not be used (setting "0").

5.3 Validation

It must be proven by suitable validation that the requirements for the specially intended purpose have been met.

6 Parameters

The following only lists the specific parameters and display and setting options for the **Functional Safety** technology function. For a detailed overview of all available parameters, please refer to the frequency inverter manual BU 0500 / BU 0505.

i Information

Double display of parameters

The structure of individual parameters for SK 500E – SK 535E frequency inverters differs from those for the SK 54xE version. Because of this, the relevant parameters descriptions are listed twice, but are individually labelled.

i Information

Relevant parameters for STO or SS1

In order to implement the function **STO**, depending on the digital input which is used, the parameters for the digital input must be set to function "10" ("Block Voltage").

For the function **SS1** the parameter of the relevant digital input is set to function "11" ("Fast Stop"). In addition, the "Fast Stop Time" must be entered in parameter **P426** and the "DC Run-on Time" must be entered in parameter **P559**.

For the function **SS1** the "Fast Stop Time" must be set so that the drive unit actually comes to a standstill within the stated time. The "DC Run-on Time" follows after the "Fast Stop Time".

The delay time of the delayed output of the protective switching device must be set so that it is longer than the parameterised values for the "Fast Stop Time" plus the "DC Run-on Time".

6.1 Description of parameters

P000 (parameter number)	Operating display (parameter name)	xx ¹⁾	S	P
Setting range (or display range)	Display of typical display format (e.g. (bin = binary)) of possible setting range and number of decimal places	Other applicable parameter(s):	List of other parameters that are directly associated	
Arrays	[-01] If parameters have a substructure in several arrays, this is shown here.			
Factory setting	{ 0 } Default setting that the parameters typically have in the as-delivered condition of the device or to which it is set after carrying out "Restore factory settings" (see parameter P523).			
Scope of Application	List of device variants to which this parameter applies. If the parameter is generally valid, i.e. for the entire model series, this line is omitted.			
Description	Description, functionality, meaning and the like for this parameter.			
Note	Additional notes about this parameter			
Setting values (and display values)	List of possible settings with description of the respective functions			

1) xx = other identification

Figure 4: Explanation of parameter description

i Information

Description of parameters

Unused lines of information are not listed.

Note / Explanation:

Code	Designation	Meaning
S	Supervisor-Parameter	The parameter can now be displayed and modified if the relevant supervisor code has been set (see parameter P003).
P	Parameter set-dependent	The parameter provides different setting options that are dependent upon the selected parameter set.

6.1.1 Control terminals

P420	Digital input 1		
Scope of Application	SK 500E ... SK 535E		
Description	Assignment of functions for the digital input		
Setting values	Value	Meaning	
	0	Off	The input is not used.
	10	Disable voltage (coast to stop)	The FI output voltage is switched off; the motor runs down freely. Low
	11	Emergency stop	The FI reduces the frequency according to the programmed fast stop time P426 . ¹⁾ Low

1) Exception: **P108**, setting "Immediate DC Braking" With the use of the shut-down mode "Immediate DC Braking" the fast stop time is not taken into account. The same braking time (resulting from the settings in **P109**, **P110**) is used as for shut-down.

P420	Digital inputs		
Arrays	[-01] ... [-10]		
Scope of Application	SK 54xE (DIN1 ... DIN4)		
Description	Assignment of functions for the digital input		
Setting values	Value	Meaning	
	0	Off	The input is not used.
	10	Disable voltage (coast to stop)	The FI output voltage is switched off; the motor runs down freely. Low
	11	Emergency stop	The FI reduces the frequency according to the programmed fast stop time P426 . ¹⁾ Low

1) Exception: **P108**, setting "Immediate DC Braking" With the use of the shut-down mode "Immediate DC Braking" the fast stop time is not taken into account. The same braking time (resulting from the settings in **P109**, **P110**) is used as for shut-down.



P421	Digital input 2		
Scope of Application	SK 500E ... SK 535E		
Description	Assignment of functions for the digital input		
Note	Identical function to digital input 1, see parameter P420		





P422	Digital input 3		
Scope of Application	SK 500E ... SK 535E		
Description	Assignment of functions for the digital input		
Note	Identical function to digital input 1, see parameter P420		

P423	Digital input 4		
Scope of Application	SK 500E ... SK 535E		
Description	Assignment of functions for the digital input		
Note	Identical function to digital input 1, see parameter P420		



P426	Quick stop time		P
Description	Setting of the stop time for the fast stop function which can be triggered either via a digital input, the bus control, the keyboard or automatically in case of a fault. The quick stop time is the time for the linear frequency decrease from the set maximum frequency (P105) to 0 Hz. If an actual setpoint <100 % is being used, the emergency stop time is reduced correspondingly.		
Setting values	0.01 ... 320.00		
	WARNING! Danger of injury due to failure of SS1 The braking characteristics of the drive unit can be influenced by various factors. Therefore, the mode "Safe Stop 1" may possibly not be correctly complied with. In order to prevent hazards due to this, by means of a final validation in the course of commissioning it must be demonstrated that with the particular settings the requirements for the special intended use are fulfilled, and that the device will at no time be operated outside of its rated data.		

P428	Automatic starting		S	P
Setting range	0 ... 1			
Description	Decision as to whether the frequency inverter should react to an enable signal.			
Setting values	Value	Meaning		
	0	Off	The device expects a flank (signal change "low → high") at the digital input which has been parametrised to "Enable" in order to start the drive. If the device is switched on with an active enable signal (mains voltage on), it immediately switches to "Switch-on block".	
	1	On	The device expects a signal level ("high") at the digital input which has been parametrised to "Enable" in order to start the drive. NOTICE! Danger of injury! Drive starts up immediately!	

P434	Relay 1 function		P
Scope of Application	SK 500E ... SK 535E		
Description	Assignment of functions for output 1 (relay output K1)		
Setting values	Value	Meaning	
	0	Off	The output is not used.
	01	External brake	For control of a mechanical brake on the motor. For details see  BU 0500 / BU 0505 WARNING: Brake failure! The control is not fail-safe! Design the brake as an operating brake. Ensure that the drive is brought to a standstill before "STO" becomes active.
	07	Fault	General error message. For details see  BU 0500 / BU 0505
	39	STO inactive	This function depicts the reaction of the "safe pulse block". The signal drops (High → Low) when STO and Safe Stop are active.

P434	Digital output function		P
Arrays	[-01] ... [-05]		
Scope of Application	SK 54xE		
Description	Assignment of functions for the digital output		
Setting values	Value	Meaning	
	0	Off	The output is not used.
	01	External brake	For control of a mechanical brake on the motor. For details see  BU 0500 / BU 0505 WARNING: Brake failure! The control is not fail-safe! Design the brake as an operating brake. Ensure that the drive is brought to a standstill before "STO" becomes active.
	07	Fault	General error message. For details see  BU 0500 / BU 0505
	39	STO inactive	This function depicts the reaction of the "safe pulse block". The signal drops (High → Low) when STO and Safe Stop are active.
P441	Relay 2 function		P
Scope of Application	SK 500E ... SK 535E		
Description	Assignment of functions for output 2 (relay output K2)		
Note	Identical function to relay output 1, see parameter P434		
P450	Relay 3 function		P
Scope of Application	SK 500E ... SK 535E		
Description	Assignment of functions for output 3 (digital output DOUT1)		
Note	Identical function to relay output 1, see parameter P434		
P455	Relay 4 function		P
Scope of Application	SK 500E ... SK 535E		
Description	Assignment of functions for output 3 (digital output DOUT1)		
Note	Identical function to relay output 1, see parameter P434		
P481	Function BusIO Out Bits		S
Arrays	[-01] ... [-10]		
Description	Assignment of functions for Bus IO Out Bits. The Bus IO In Bits are treated as digital outputs by the frequency inverter.		
Setting values	Value	Meaning	
	0	Off	The output is not used.
	01	External brake	For control of a mechanical brake on the motor. For details see  BU 0500 / BU 0505 WARNING: Brake failure! The control is not fail-safe! Design the brake as an operating brake. Ensure that the drive is brought to a standstill before "STO" becomes active.
	07	Fault	General error message. For details see  BU 0500 / BU 0505
	39	STO inactive	This function depicts the reaction of the "safe pulse block". The signal drops (High → Low) when STO and Safe Stop are active.

6.1.2 Additional parameters

P506	Automatic fault acknowledgement	S
Description	Automatic acknowledgement of fault messages. (For details see  BU 0500 / BU 0505)	
Note	Automatic error acknowledgement should not be used in association with a safety function.	
Setting values	0 = Detection is disabled	
P559	DC run-on time	S P
Setting range	0.00 ... 5.00 s	
Description	Completion of a braking action by temporary connection of a DC voltage to the motor connection terminals. (For details see  BU 0500 / BU 0505)	

7 Operating status messages

The majority of frequency inverter functions and operating data are continuously monitored and simultaneously compared with limiting values. If a deviation is detected, the inverter reacts with a warning or an error message.

Basic information on this topic is contained in the manual for the device.

All faults or reasons which may result in a switch-on block of the frequency inverter and which are associated with the STO function are listed below.

WARNING

Loss of safe function

In case of an EEPROM fault, the digital input functions (DIN1 ... DIN4) "Block Voltage" and "Fast Stop" may not function or may function incorrectly.

After an EEPROM fault, the digital inputs associated with safety functions must be revalidated. This is the only way to ensure that the safety functions operate correctly.

Error messages

Display in the SimpleBox / ControlBox		Fault Text in the ParameterBox	Cause • Remedy
Group	Details in P700 [-01] / P701		
E008	8.0	Parameter loss (maximum EEPROM value exceeded)	Error in EEPROM data <ul style="list-style-type: none"> • Software version of the stored data set not compatible with the software version of the FI. NOTE: <u>Faulty parameters</u> are automatically reloaded (default data). <ul style="list-style-type: none"> • EMC interferences (see also E020)
	8.1	Inverter type incorrect	<ul style="list-style-type: none"> • EEPROM faulty
	8.2	External copying error (ControlBox)	<ul style="list-style-type: none"> • Check ControlBox for correct position. • ControlBox EEPROM faulty (P550 = 1).
	8.3	EEPROM KSE error (Customer interface incorrectly identified (customer's interface equipment))	The upgrade level of the frequency inverter was not correctly identified. <ul style="list-style-type: none"> • Switch mains voltage off and on again.
	8.4	Internal EEPROM error (Database version incorrect)	
	8.5	No EEPROM recognised	
	8.6	EEPROM copy used	
	8.7	EEPROM copy not the same	
	8.8.	EEPROM is empty	
	8.9	EEPROM Ctrlbox too small	<ul style="list-style-type: none"> • The EEPROM of the ControlBox is too small to completely save the data set for the frequency inverter
E018	18.0	Safety circuit	While the frequency inverter was enabled, the Safe Pulse Block safety circuit was triggered.

Switch-on block messages

Display in the SimpleBox / ControlBox		Reason: Text in the ParameterBox	Cause • Remedy
Group	Details in P700 [-03]		
I018	18.0	STO active	The Safe Pulse Block safety circuit has been triggered. A connected motor does not produce any torque.

Status information

It is possible to access status information by means of the ParameterBox, SimpleBox or via a field bus. This information is **not provided on a fail-safe basis**, but rather only for information purposes!

The status of the *"Safe Pulse Block"* and the digital inputs and outputs can be accessed via the information parameters and if necessary by means of the status word with communication via a field bus.

In order to be able to query the reaction of the *"Safe Pulse Block"*, the digital output, a Bus Out bit or a free bit of the status word (Bit 10 or Bit 13) must be assigned the function "39" (STO inactive). The status of this bit can be read out via the parameters **P711** ("Relay Status") **P741 [-01]** ("Status Word" or **P741 [-05]** ("Bus Out Bits") or transferred via the bus protocol.

For the *"Safe Pulse Block"* both the status of the input terminals (24V_SH, GND_SH) as well as the reaction of the Safe Pulse Block can be queried.

8 Additional information

8.1 Protective switching devices

The safety switching device used for the intended purpose, as well as all additional components required to implement a safety function, must fulfil the requirements of the special application in accordance with the risk analysis.

The switching device outputs must fulfil the following basic conditions.

8.1.1 Output voltage

The stated voltage must be connected to the input terminals of the frequency inverter i.e. the voltage drop in the cable which is used must be taken into account

- Mechanical protective switching device
24 V ± 25 % (18 V...30 V)
- Electronic protective switching device with OSSD outputs
24 V - 20 % / + 25 % (19.2 V...30 V) for the "safe pulse block"

8.1.2 Switching capacity and current load

The safety outputs of the switching devices must be designed for the loads stated below.

Load per connected frequency inverter	"Safe Pulse Block"
Continuous current (mean value)	≤ 50 – 140 mA, depending on size
Switch-on current	≤ 400 mA, for $t \leq 2 \text{ ms}$
Supporting capacitance (downstream of inverse polarity protection)	max. 30 μF
Peak current after an OSSD test pulse (periodic)	≤ 400 mA, for $t \leq 300 \mu\text{s}$

Information

Increased current on switch-on or after a test pulse from an OSSD

Due to the smoothing capacitors of the safe shut-down method, there is an increased current consumption on switch-on and after a test pulse from an OSSD. The "Safe Pulse Block" is equipped with an active current limiter in order to reduce the load on safety outputs to a minimum.

8.1.3 OSSD outputs, test pulses

- $t_{\text{off}} \leq 0.5 \text{ ms}$ (width of test pulse)

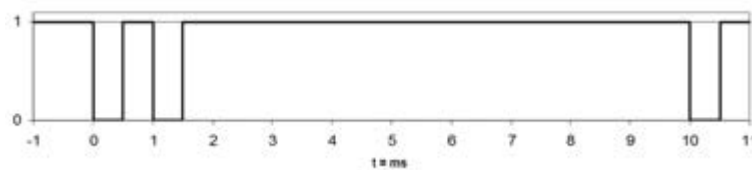
Maximum time in which the output of the protective switching device is switched off for test purposes.

- $D \geq 90 \%$ (duty, switch-on ratio)

The supply voltage is applied for at least 90% of the time i.e. for a test pulse of $t_{\text{off}}=0.5 \text{ ms}$, the supply voltage is subsequently connected for at least $t_{\text{on}}=4.5 \text{ ms}$.

- Double pulses are permissible if the two pulses are at least $1 \mu\text{s}$ apart and the condition for D is fulfilled.

Permissible test pulses for an OSSD



The following sequence results at maximum pulse width:

- First test pulse with $t_{\text{off}}= 0.5 \text{ ms}$,
- Subsequently the supply voltage is applied for 0.5 ms,
- Followed by the second test pulse with $t_{\text{off}}= 0.5 \text{ ms}$,
- After this the supply voltage is applied for at least 8.5 ms!

8.2 Safety categories

8.2.1 IEC 60204-1:2005

(German version EN 60204-1:2006)

The requirements of a Category 0 and Category 1 stop function can be fulfilled by the "safe pulse block".

The controlled braking of a Category 1 stop function is not fail-safe via the standard functions of the frequency inverter. The switch-over to the stop function of Category 0 is fail-safe.

8.2.2 IEC 61800-5-2:2007

(German version EN 61800-5-2:2007)


The requirements for the functions "Safe Torque Switch Off" (STO) and "Safe Stop 1" (SS1) can be fulfilled with the shut-down method "Safe Pulse Block".

With the function SS1, there is no safe monitoring of motor speed reduction or motor speed reduction by the frequency inverter. If a risk analysis has shown that monitoring is necessary, this must be carried out via an external safe control unit. The solutions for the function SS1 described in the examples correspond to characteristics as per IEC 61800-5-2:2007, Section 4.2.2.3, Paragraph c) "Triggering of motor speed reduction and triggering of the STO function after an application-specific time delay". The motor speed reduction is carried out via the standard functionality of the frequency inverter and is not fail-safe. The switch-over to the STO function is fail-safe.

8.2.3 IEC 61508:2010

(German version EN 61508:2010)

For the safety-relevant stop functions STO and SS1 (designation as per IEC 61800-5-2:2007), frequency inverters with the safe shut-down methods according to this manual fulfil the requirements for SIL 3. The controlled braking action of the stop function SS1 does not have SIL capability.

( Section 9.1 "Data for the safe pulse block")

Information


Digital inputs

The digital inputs do not have SIL capability

8.2.4 ISO 13849-1:2015

(German version EN ISO 13849-1:2016)

For the safety-relevant stop functions, STO and SS1 (designation as per IEC 61800-5-2:2007), frequency inverters with the safe shut-down methods according to this manual fulfil the requirements for Performance Level e. With this, Safety Category 4 can be achieved.

( Section 9.1 "Data for the safe pulse block")


The digital inputs (DIN1 ... DIN4) which are used for the implementation of safety-relevant stop functions are primarily intended as auxiliary inputs and can fulfil the requirements of Safety Category 1 and Performance Level c.

( Section 9.2 "Data for the digital inputs")



Information

Evaluation of safety function

The values stated in the Technical Data ( Section 9 "Technical Data") only refer to the stated inputs or shut-down methods.

The components which are additionally required for the implementation of a safety function, such as a protective switching device, an emergency stop button etc. must also be taken into account for the evaluation of the safety function. The resulting safety-relevant data can be significantly influenced by these components.

9 Technical Data

The Technical Data from the frequency inverter manual (BU 0500 / BU 0505) apply!

In deviation from this:

Function	Specification
Max. installation altitude above sea level	≤ 2000 m

The following technical data also apply.

9.1 Data for the safe pulse block

Function	Specification		
	Sizes 1 to 6	Size 7	Sizes 8 to 11
Input voltage	+ 24 V		
Voltage tolerance	± 25 % (18 V ... 30 V)		
Operation at OSSD	- 20 % ... + 25 % (19,2 V ... 30 V)		
Power consumption (mean value)	≤ 100 mA	≤ 140 mA	≤ 50 mA
Peak current (peak, when switching on or at the OSSD)	≤ 500 mA		
Cable length	≤ 20 m		
Line capacitance	≤ 10 nF per connected frequency inverter		
Switch-on delay	≤ 200 ms		
Response time	≤ 200 ms (15 ms – 35 ms typical)		
Cycle time	≥ 1 s		
Requirements made of OSSDs	Test pulse width	≤ 500 μs	
	Duty (High level)	≥ 90 %	
	Time between double pulses	≥ 1 ms (observe the duty factor)	
Safety integrity level (IEC 61508)	SIL 3		
Probability of a hazardous failure per hour	PFH = 0	PFH = 0	PFH = $0,0058 \text{ FIT} = 5.8 \cdot 10^{-12}/\text{h}$
Probability of a hazardous failure on call-up	PFD = 0	PFD = 0	PFD = $5.23 \cdot 10^{-5}$
Proportion of safe failures	SFF = 100 %	SFF = 100 %	SFF > 99 %
Safety category (as per EN ISO 13849-1)	Category 4		
Performance Level (as per EN 13849-1)	PL e		
The mean time until a hazardous failure	MTTF _d = "High" (>100 years)		
Degree of diagnostic coverage (DC)	cannot be established (PFH=0)	cannot be established (PFH=0)	DC > 99 %
Lifetime	TM = 20 years		

9.2 Data for the digital inputs

(Only valid for digital inputs: **DIN1 to DIN4**)

Function	Specification	
Input voltage	+ 24 V	
Voltage tolerance	+- 50 % ... + 25 % (12 V ... 30 V)	
High level (VT+)	≥ 11 V	
Low level (VT-)	≥ 3.5 V	
Input resistance	6.1 kΩ (typical)	
Input capacitance	10 nF (typical)	
Response time	≤ 5 ms	
Requirements made of OSSDs	Test pulse width	≤ 500 μs
	Duty (High level)	≥ 90 %
	Time between double pulses	≥ 1 ms (observe the duty factor)
Safety integrity level (IEC 61508)	The digital inputs do not have SIL capability	
Probability of a hazardous failure per hour	PFH = 588.39 FIT	
Proportion of safe failures	SFF = 37.34 %	
Safety category (as per EN ISO 13849-1)	Category 1	
Performance Level (as per EN 13849-1)	PL c	
The mean time until a hazardous failure	MTTF _d = "High" (>100 years)	
Degree of diagnostic coverage (DC)	No DC	
Lifetime	TM = 20 years	

10 Appendix

10.1 Maintenance Instructions

The maintenance information from the frequency inverter manual (BU 0500 / BU 0505) apply.

The information for long-term storage also apply for the Safe Pulse Block.

Accordingly, the Pulse Block must be supplied with a voltage of **24 V DC** at least **1 x per year for 60 minutes** in order to maintain its function and to prevent damage to the Safe Pulse Block.

10.2 Repair information

In order to keep repair times as short as possible, please state the reasons for the return of the device and at least one contact partner in case of queries.

In case of repairs, please send the device to the following address:

NORD Electronic DRIVESYSTEMS GmbH

Tjüchkampstraße 37

26606 Aurich, Germany

Information

Third party accessories

Before returning a bus interface and/or a frequency inverter, please remove any external accessories such as mains cables, potentiometers, external displays, etc., which were not supplied by Getriebebau NORD GmbH & Co. KG. No liability can be accepted by Getriebebau NORD GmbH & Co. KG for devices which are returned with third party accessories.

Information

Accompanying document

Please use the filled-in accompanying document for returns, You can find this on our homepage www.nord.com or directly under the link [Warenbegleitschein](#).

For queries about repairs, please contact:

Getriebebau NORD GmbH & Co. KG

Tel.: +49 (0) 45 32 / 289-2515

Fax: +49 (0) 45 32 / 289-2555

10.3 Service and commissioning information

In case of problems, e.g. during commissioning, please contact our Service department:

☎ +49 4532 289-2125

Our Service department is available 24/7 and can help you best if you have the following information about the device (e.g. frequency inverter) and its accessories (e.g. bus interface) to hand:

- Type designation,
- Serial number,
- Firmware version

10.4 Documents and software

Documents and software can be downloaded from our website www.nord.com.

Other applicable documents and further information

Documentation	Contents
BU 0500	Manual for frequency inverter NORDAC PRO SK 500E ...SK 535E
BU 0505	Manual for frequency inverter NORDAC PRO SK 540E ...SK 545E
BU 0000	Manual for use of NORD CON software
BU 0040	Manual for use of NORD parameterisation units

Software

Software	Description
NORD CON	Parametrisation and diagnostic software

10.5 Certificates

The relevant certificates for "Functional Safety" can be downloaded from our internet page www.nord.com

Certificates

Documentation	Contents
C330601	Certificates for frequency inverters with "Safe Shut-down Methods" - SK 5xxE for frequency inverters NORDAC PRO SK 500E .. SK 545E

10.6 Abbreviations

- **AS-i** AS Interface
- **BW** Braking resistor
- **DIN** Digital input
- **DOUT** Digital output
- **EMC** Electromagnetic compatibility
- **FI** Frequency inverter
- **GND** Earth
- **OSSD** Output Signal Switching Device
- **P** Parameter set dependent parameter, i.e. a parameter which can be assigned different functions or values in each of the 4 parameter sets of the frequency inverter.
- **S** Supervisor parameter, i.e. A parameter which is only visible if the correct Supervisor Code is entered in parameter **P003**
- **SH** "Safe Stop" (functional safety)
- **SS1** "Safe Stop 1"
- **STO** Safe Torque Off, torque safely switched off
- **SW** Software or firmware version of the frequency inverter (can be displayed in parameter **P707**)

Key word index

A			
Accompanying document	52		
Auto. Fault acknowledgement (P506)	42		
Automatic starting (P428)	40		
C			
Certificates	53		
Commissioning	36		
SS1	37		
STO	36		
Controlled braking	13		
D			
DC run-on time (P559)	42		
Digital input 1 (P420)	39		
Digital input 2 (P421)	39		
Digital input 3 (P422)	39		
Digital input 4 (P423)	40		
Digital inputs	12		
Digital inputs (P420)	39		
Digital output function (P434)	41		
Documents			
other applicable	53		
E			
EMC	34		
Example	35		
SS1	16		
STO	14		
Exclusion of faults	20		
F			
Function BusIO Out Bits (P481)	41		
I			
IEC 60204-1			
2005	47		
IEC 61508			
2010	47		
IEC 61800-5-2			
2007	47		
ISO 13849-1			
2015	48		
M			
mechanical brake	13		
Messages			
Fault	43		
Operating status	43		
O			
OSSD	34, 45		
P			
Parameters	38		
Protective switching devices	45		
Q			
Quick stop time (P426)	40		
R			
Relay 1 function (P434)	40		
Relay 2 function (P441)	41		
Relay 3 function (P450)	41		
Relay 4 function (P455)	41		
Repair	52		
Restart block	18		
Returns	52		
S			
Safe pulse block	34		
Safe Pulse Block			
Example	35		
Safe Pulse Lock			
OSSD	34		
Safe shut-down method			
Safe Pulse Block	34		
Safety functions			
Safe Stop 1	13		
Safe torque switch-off	13		
SS1	13		
STO	13		
Scope of Application	4		
Software	53		
SS1	13		
commissioning	37		
example:	16		
Standard			
IEC 13849-1			
2015	48		
IEC 60204-1			
2005	47		
IEC 61508			
2010	47		
IEC 61800-5-2			
2007	47		
STO	13		
commissioning	36		
Example	14		
T			
Technical Data	49		
V			
Validation	37		

NORD DRIVESYSTEMS Group

Headquarters and Technology Centre
in Bargteheide, close to Hamburg

Innovative drive solutions
for more than 100 branches of industry

Mechanical products
parallel shaft, helical gear, bevel gear and worm gear units

Electrical products
IE2/IE3/IE4 motors

Electronic products
centralised and decentralised frequency inverters,
motor starters and field distribution systems

7 state-of-the-art production plants
for all drive components

Subsidiaries and sales partners
in 89 countries on 5 continents
provide local stocks, assembly, production,
technical support and customer service

More than 3,300 employees throughout the world
create customer oriented solutions

www.nord.com/locator

Headquarters:

Getriebebau NORD GmbH & Co. KG
Getriebebau-Nord-Straße 1
22941 Bargteheide, Germany
T: +49 (0) 4532 / 289-0
F: +49 (0) 4532 / 289-22 53
info@nord.com, www.nord.com

Member of the NORD DRIVESYSTEMS Group

