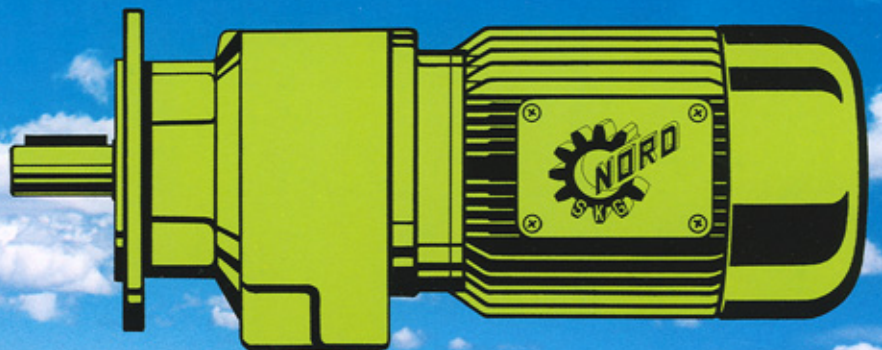
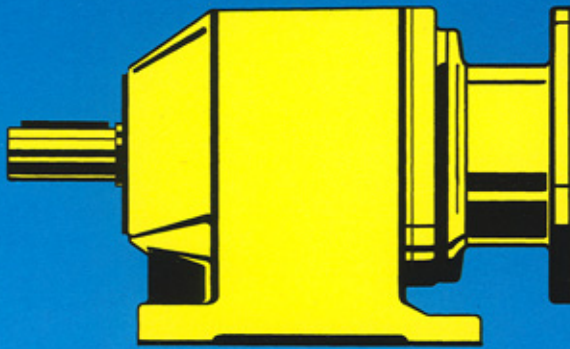
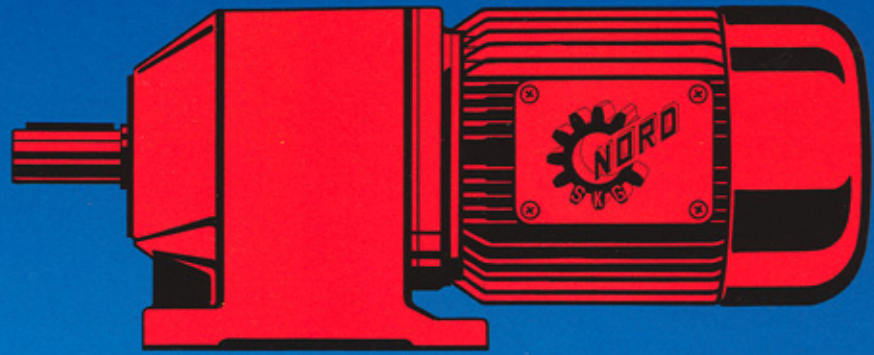


Constant speeds

NORDBLOC® 1011/2000



UNICASE



Quality Certificates

Germanischer Lloyd
Certification GmbH



Annex 1 of 04.06.1999

Certificate No. QS-082 HH covers the following scope of certification:

Getriebebau NORD GmbH & Co. KG

Rudolf-Diesel-Straße 1, D-22941 Bargteheide

with the following locations:

- **Getriebebau NORD**
Schärdinger Straße 7, A-4061 Pasching bei Linz
 - **NORD AANDRIJVINGEN NED. B.V.**
Voltstraat 12, NL-2181 HA Hillegom
 - **NORD Drivsystem AB**
Ryttargatan 277, S-194 02 Upplands Väsby
 - **NORD GEAR Corporation**
800 Nord Drive, Waunakee, U.S.A.-WI 53597-0367
 - **NORD Gear Limited**
1, Blacklands Way, Abingdon Business Park, GB-Abingdon, Oxford OX 14
 - **NORD Réducteurs Production sarl**
15, Rue Gutenberg, F-68800 Vieux Thann
 - **Produktionstechnik NORD GmbH & Co. KG**
Rudolf-Diesel-Straße 5, D-22941 Bargteheide
 - **NORD Motorreductores, S.A.**
Ctra. Prats de Lucanes Nave 7, E-08207 Sabadell
- relevant for:
Engineering, Manufacturing and Sales of
Reducers, Geared Motors and additional components



Dr. Weber
(Dr. Weber)

Germanischer Lloyd
Certification GmbH



CERTIFICATE

The Germanischer Lloyd Certification GmbH, 20459 Hamburg,
herewith certifies that the company

Getriebebau NORD GmbH & Co. KG

Rudolf-Diesel-Straße 1, D-22941 Bargteheide

with the locations listed in Annex 1

has established and maintains a Quality Management System relevant for

**Engineering, Manufacturing and Sales of
Reducers, Geared Motors and additional components**

Germanischer Lloyd Certification GmbH has audited the company. Evidence was provided
that the Quality Management System fulfills the requirements of the following standard:

DIN EN ISO 9001
edition: 08/1994

The validity of this certificate is subject to the company applying and maintaining its Quality
Management System in accordance with the standard indicated. This will be monitored by
Germanischer Lloyd Certification GmbH.

Validity extended until April 15, 2002
Hamburg, June 04, 1999

Certificate No. **QS-082 HH**



Dr. Weber
(Dr. Weber)

Dr. Brunkow
(Dr. Brunkow)

This certificate is valid only in connection with Annex 1 of 04.06.1999

TABLE OF CONTENTS

Chapter	Contents	Page
---------	----------	------

EXPLANATORY NOTES

	Engineering Data	2
--	------------------	---

	Permissible output torques	2
--	----------------------------	---

SELECTION PROCEDURES

	AGMA Gearmotor Load Classification	3
--	------------------------------------	---

	Selection procedures - Mass acceleration factor	6
--	---	---

	Overhung loads	6
--	----------------	---

	Conversion table for overhung loads	7
--	-------------------------------------	---

	Load ratings on solid input shafts	8
--	------------------------------------	---

HELICAL GEARED MOTORS

	Nomenclature	9
--	--------------	---

	Available designs	11
--	-------------------	----

	Mounting positions	12
--	--------------------	----

	Paint coatings	13
--	----------------	----

	Lubrication	14
--	-------------	----

	Gearmotor selections	17
--	----------------------	----

	Tolerances	49
--	------------	----

	Dimension sheets	50
--	------------------	----

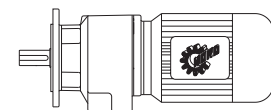
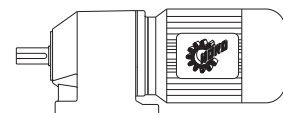
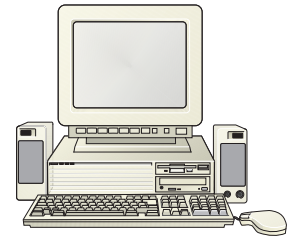


TABLE OF CONTENTS

Chapter	Contents	Page
---------	----------	------

HELICAL GEAR UNITS

Table of capacity and ratio

57

Reducer weights

66

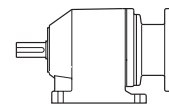
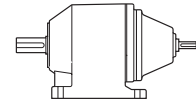
Dimension sheets Type W - solid input shaft

67

Dimension sheets NEMA C - face adapters

70

NORBLOC



HELICAL GEAR UNITS - OPTIONS

Flange mounted B14

76

Foot / Flange mounting (B3 / B14 , B3 / B5)

77

Metric shaft dimensions

78

IEC Motor Adapter

78

Lubricant expansion unit

79

MOTORS

Explanatory notes

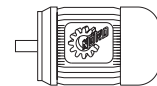
82

Technical data

84

Motor dimensions

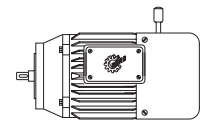
88



BRAKES

Explanatory notes / Braking torque

86



GENERAL PARTS LIST

Helical Gear Units, double reduction

92

Helical Gear Units, triple reduction

93

C - face / IEC - Adapter

94

Type W - solid input shaft / Motor

95

EXPLANATORY NOTES



ENGINEERING DATA

Based on the proven UNICASE design NORD has developed the compact geared motor NORDBLOC.

Nine sizes are available in double- and triple-reduction design as foot- or flange-mount units. These drives cover the power range of 0.16 to 50.0 HP with torque capacities of 797 to 28320 Lb-in.

Consequent development of the UNICASE concept has created a new drive range which offers the user compact size combined with increased power density.

The third stage has been integrated in the main housing making available higher ratios, lower speeds and higher output torques within the compact size of the basic housing.

Easy interchangeability is guaranteed by coaxial inline input- and output - shafts and identical mounting dimensions of the double- and triple-reduction design. NORD originally developed the UNICASE design for helical-in-line-, shaft-mount-, helical-bevel- and helical-worm-gearboxes back in 1980.

UNICASE design means a single (non-split) housing in which all bearings are located. Complete machining of this housing is achieved in a single setup on state-of-the-art CNC machining centers.

The UNICASE drives of NORD are precision machined to highest standards. Center distances of less than 10 μm are produced without problems.

NORDBLOC gearboxes come with reduced backlash as standard. This is achieved by following measures :

1. narrow tolerances
2. increased gearing quality
3. high rigidity of the gearset
4. extremely high rigidity of the UNICASE housing

These features ensure NORDBLOC gearboxes are ideal for use in applications requiring minimized backlash.

NORDBLOC gearboxes do not have any bearings in bolt-on flanges therefore eliminating torque- and overhung-load-stressed sealing surfaces.

Drives from NORD, produced to the UNICASE concept offer decisive advantages to the user :

- great safety in operation
- highest output torques
- low noise level
- high overhung- and thrust-load capacity
- extended maintenance intervals
- long service life

MAX. PERMISSIBLE OUTPUT TORQUES $T_{2\max}$ (see pages 57 - 65)

Helical gearboxes, double and triple reduction

Gearbox type	SK 172	SK 272	SK 372	SK 472	SK 572	SK 672	SK 772	SK 872	SK 972
$T_{2\max}$ [Lb-in]	797	1239	1770	2832	3982	5310	7257	13806	24780
Gearbox type	SK 273	SK 373	SK 473	SK 573	SK 673	SK 773	SK 873	SK 973	
$T_{2\max}$ [Lb-in]	1239	1947	2832	3982	5576	7655	14868	28320	

AGMA GEARMOTOR LOAD CLASSIFICATIONS

The AGMA rated parallel (helical) gearmotors in the catalog are grouped by Service Classes I, II or III.

Class I: (Minimum 0.8 Service Factor)

A gearmotor can operate with steady loads not exceeding the normal rating and 8 - 10 hours of running time per day.

Class II: (Minimum 1.4 Service Factor)

- a) A gearmotor can operate with steady loads not exceeding the normal rating and 24 hours of running time per day. or
- b) A gearmotor can operate with moderate shock loads not exceeding 1.25 x rated load torque and 8 - 10 hours of running time per day.

Class III: (Minimum 2.0 Service Factor)

- a) A gearmotor can operate with moderate shock loads which are a maximum 1.25 x rated load torque and 24 hours of running time per day.
- b) A gearmotor can operate with heavy shock loads in excess 1.25 x rated load torque and 8-10 hours of running time per day.

The Nord Gear units in the catalog grouped by AGMA service classes are applied per AGMA service factor listings as shown by 6010-E88 and 6034-A87. The high-speed gearing is finish ground to reduce noise levels to a minimum. The low-speed gears are skived per the latest finishing technology. In many cases the quality levels of the gearing exceeds AGMA quality levels 11-13.

AGMA GEAR REDUCER LOAD CLASSIFICATIONS

This chart is a guideline for the types of loads applied to the following:

Parallel (helical) reducers

SERVICE IN HOURS / DAY	LOAD CLASSIFICATION OF THE MACHINERY DESIGN			WHEN FREQUENT STOPS/ STARTS ARE APPLIED IN EXCESS OF 10 / HOUR		
	UNI-FORM	MODE-RATE SHOCK	HEAVY SHOCK	UNI-FORM	MODE-RATE SHOCK	HEAVY SHOCK
1/2 hours or less	0.8	0.8	1.0	0.8	1.0	1.25
2 hours intermittently	1.0	1.0	1.25	1.0	1.25	1.5
10 hours	1.0	1.25	1.5	1.25	1.5	1.75
24 hours	1.25	1.5	1.75	1.5	1.75	2.0

ENGINE DRIVEN APPLICATIONS

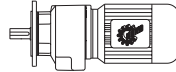
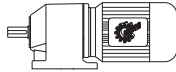
For multiple cylinder engine drive applications, the service factors are greater than those shown above for electric motor drives. Service factors for multiple cylinder engine drives may be determined from the conversion table below.

Loading	8 - 10 hour service		24 hour service	
	Electric Motor Drive	Multiple Cylinder Engine *	Electric Motor Drive	Multiple Cylinder Engine *
Uniform	1.00	1.25	1.25	1.50
Moderate	1.25	1.50	1.50	1.75
Heavy	1.75	2.00	1.75	2.00

* These service factors apply essentially to driven applications without extreme variations.

For application assistance refer to the factory.

GEAR MOTOR LOAD CLASSIFICATION

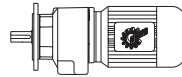
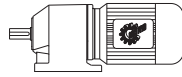


APPLICATION	CLASS OF SERVICE		APPLICATION	CLASS OF SERVICE		APPLICATION	CLASS OF SERVICE	
	3 - 10 HRS/DAY	10 - 24 HRS/DAY		3 - 10 HRS/DAY	10 - 24 HRS/DAY		3 - 10 HRS/DAY	10 - 24 HRS/DAY
AGITATORS			Bucket	II	II	Cereal Cooker	I	II
Pure Liquids	I	II	Chain	II	II	Dough Mixer	II	II
Liquids & Solids	II	II	Flight	II	II	Meat Grinders	II	II
Liquids — Variable Density	II	II	Live Roll (pack age)	I	II	GENERATORS — (Not Welding)	I	II
Semi-Liquids — Variable Density	II	II*	Oven	III	III*	HAMMER MILLS	III	III*
BLOWERS			Reciprocating	II	II	LAUNDRY WASHERS		
Centrifugal	I	II	Screw	III	III*	Reversing	II	II
Lobe	II	II	Shaker			LAUNDRY TUMBLERS	II	II
Vane	I	II	CRANES & HOISTS			LINE SHAFTS		
BREWING & DISTILLING			Main Hoists	III	III*	Heavy Shock Load	III	III*
Bottling Machinery	I	II	Heavy Duty	II	II	Moderate Shock Load	II	II
Brew Kettles —			Medium Duty	II	II	Uniform Load	I	II
Continuous Duty	—	II	Reversing	II	II	LUMBER INDUSTRY		
Cookers —			Skip Hoists	II	II*	Barkers —		
Continuous Duty	—	II	Trolley Drive	II	II*	Spindle Feed	II	III
Mash Tubs			Bridge Drive			Barkers-Main Drive	III	III*
Continuous Duty	—	II	CRUSHERS	III	III*	Carriage Drive	*	*
Scale Hopper			Ore	III	III*	Conveyors-Burner	II	III
Frequent starts	II	II	Stone			Conveyors-Main or Heavy Duty	II	III
CAN FILLING MACHINES	I	II	DREDGES	II	—	Conveyors-Main Log	III	III*
CANE KNIVES	II	II	Cable Reels	II	II	Conveyors —		III
CAR DUMPERS	III	—	Conveyors	III	III*	Merry-go-Round	II	III*
CAR PULLERS —			Cutter Head Drives	III	III*	Conveyors-Slab	III	III*
Intermittent duty	I	—	Jig Drives	II	—	Conveyors-Transfer	II	III
CLARIFIERS	I	II	Maneuvering Winches	II	II	Conveyors-Waste	II	II
CLASSIFIERS	II	II	Pumps	III	III*	Chains-Floor	II	III
CLAY WORKING			Screen Drive	II	II	Chains-Green	II	III
MACHINERY			Stackers	II	—	Cut-Off Saws-Chain	II	III
Brick Press	III	III*	Utility Winches			Cut-Off Saws-Drag	II	III
Briquette Machine	III	III*	ELEVATORS	I	II	Debarking Drums	III	III*
Clay working machinery	II	II	Bucket-Uniform Load	II	II	Feeds-Edger	II	III
Pug Mill	II	II	Bucket-Heavy Load	I	II	Feeds-Gang	III	III*
COMPRESSORS			Bucket-Continuous	I	II	Feed-Trimmer	II	III
Centrifugal	I	II	Centrifugal Discharge	I	II	Log Deck	III	III*
Lobe	II	II	Escalators	II	II	Log Hauls-Well Type	III	III*
Reciprocating			Freight	I	II	Log Turning Devices	III	III*
Multi-cylinder	II	II*	Gravity Discharge	*	*	Planer Feed	II	III
Single Cylinder	III	III*	Man Lifts	*	*	Planer Tilting Hoist	II	III
CONVEYORS— UNIFORMLY LOADED			Passengers	III	—	Rolls-Live-Off Brg.-Roll Cases	III	III*
OR FED			Service-Hand Lift			Sorting Table	II	III
Apron	I	II	FANS	II	II	Tipple Hoist	II	III
Assembley	I	II	Centrifugal	II	II	Transfers-Chain	II	III
Belt	I	II	Cooling Towers	II	II	Transfers-Craneway	II	III
Bucket	I	II	Induced Draft	*	*	Tray Drives	II	III
Chain	I	II	Forced Draft	II	II	Veneer Lathe Drives	*	*
Flight	I	II	Induced Draft	II	II*	MACHINE TOOLS		
Oven	I	II	Large (Mine, etc.)	II	II*	Bending Roll	II	II
Screw	I	II	Large Industrial	I	II	Notching Press — Belt Driven	*	*
CONVEYORS— HEAVY DUTY NOT UNIFORMLY FED			Light (Small Diameter)			Plate Planer	III	III*
Apron	II	II	FEEDERS	II	II	Punch Press — Gear Driven	III	III
Assembley	II	II	Apron	II	II	Tapping Machines	III	III*
Belt	II	II	Belt	I	II			
			Disc	III	III*			
			Reciprocating	II	II			
			Screw					
			FOOD INDUSTRY	II	II			
			Beet Slicer					

* Refer to factory

Applications requiring frequent stops and starts, high inertia loads or oversized brakes or clutches (exceeding motor full load torque) should be referred to NORD GEAR for review.

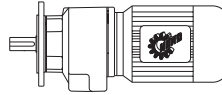
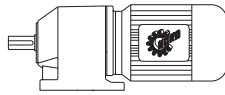
GEAR MOTOR LOAD CLASSIFICATION



APPLICATION	CLASS OF SERVICE		APPLICATION	CLASS OF SERVICE		APPLICATION	CLASS OF SERVICE	
	3 - 10 HRS/DAY	10 - 24 HRS/DAY		3 - 10 HRS/DAY	10 - 24 HRS/DAY		3 - 10 HRS/DAY	10 - 24 HRS/DAY
Other Machine Tools			Conveyors	—	II	Vacuum Filters	II	II
Main Drives	II	II	Conveyors, Log	—	III*	SCREEN		
Auxiliary Drives	I	II	Couch	—	II*	Air Washing	I	II
METAL MILLS			Cutters, Platers	—	III*	Rotary —		
Bridle Roll Drives	III	III*	Cylinders	—	II	Stone or Gravel	II	II
Draw Bench-Carriage	III	III*	Dryers	—	II*	Traveling Water		
Draw Bench —			Felt Stretcher	—	II	Intake	I	II
Main Drive	III	III*	Felt Whipper	—	III*	SLAB PUSHERS	II	II
Forming Machines	III	III*	Jordans	—	II	STEERING GEAR	II	II
Pinch Dryer &			Presses	—	II*	STOKERS	I	II
Scrubber Rolls,			Pulp Machines, Reel	—	II	TEXTILE INDUSTRY		
Reversing	*	*	Stock Chests	—	II	Batchers	II	II
Slitters	II	II	Suction Roll	—	II*	Calenders	II	II
Table Conveyors			Washer & Thickeners	—	II*	Card Machines	II	II*
Non-Reversing	II	III	Winders	—	II	Cloth Finishing		
Reversing	—	III	PRINTING PRESSES	I	II	Machines,		
Winding Reels-Strip	—	III	PULLERS			(Washer, pads,		
Wire Drawing &			Barge Haul	III	III*	tenters)		
Flattening Machine	II	III	PUMPS			(Dryers, Calenders,		
Wire Winding			Centrifugal	I	II	etc.)	II	II
Machine	II	II	Proportioning	II	II*	Dry Cans	II	II
MILLS, ROTARY TYPE			Reciprocating			Dryers	II	II
Ball	III	III*	Single Acting 3 or			Dyeing Machinery	II	II
Cement Kilns	*	*	More Cylinders	II	II	Knitting Machines		
Dryers & Coolers	II	II	Double Acting 2 or			(looms, etc.)	*	*
Kilns	II	II	More Cylinders	II	II	Looms	II	II
Pebble	III	III*	Single Acting 1 or			Mangles	II	II
Rod	III	III*	2 Cylinders	*	*	Nappers	II	II
Tumbling Barrels	III	III*	Double Acting			Pads	II	II
MIXER			Single Acting	*	*	Range Drives	*	*
Concrete Mixers,			Rotary — Gear Type	I	II	Slashers	II	II
Continuous	II	II	— Lobe, Vane	I	II	Soapers	II	II
Concrete Mixers,			RUBBER INDUSTRY			Spinners	II	II
Intermittent	I	—	Mixer	III	III*	Tenter Frames	II	II
Constant Density	I	II	Rubber Calender	II	II*	Washer	II	II
Variable Density	II	II	Rubber Mill			Winders (other than	II	II
OIL INDUSTRY			(2 or more)	II	II*	(Batchers)		
Chillers	II	II	Sheeter	II	II*	Yarn Preparatory		
Oil Well Pumping	*	*	Tire Building Machines	*	*	Machines (Cards,		
Parafin Filter Press	II	II	Tire & Tube			Spinners, Slashers,		
Rotary Kilns	II	II	Press Openers	*	*	etc.)	II	II
PAPER MILLS			Tubers & Strainers	II	II	WINDLASS	II	II*
Aerators	*	*	SEWAGE DISPOSAL					
Agitators (Mixers)	II	II	EQUIPMENT					
Barker Auxiliaries,			Aerators	*	*			
Hydraulic	—	III	Bar Screens	I	II			
Barker, Mechanical	—	III	Chemical Feeders	I	II			
Barking Drum	—	III*	Collectors, Circuline					
Beater & Pulper	—	II*	or Straightline	I	II			
Bleacher	—	II	Dewatering Screens	II	II			
Calenders	—	II*	Grit Collectors	I	II			
Calenders-Super	—	II	Scum Breakers	II	II			
Converting Machines,			Slow or Rapid Mixers	II	II			
except Cutters,			Sludge Collectors	I	II			
Platters	—	II	Thickeners	II	II			

* Refer to factory
Applications requiring frequent stops and starts, high inertia loads or oversized brakes or clutches (exceeding motor full load torque) should be referred to NORD GEAR for review.

EXPLANATORY NOTES



SELECTION PROCEDURES

Criteria for selection of the gearboxes are:

- 1) mechanical power - service factor shown in the tables in catalog
- 2) thermal power limit - depending on
 - a) mounting position e.g. V5/V6/V (oil quantity)
 - b) the ratio $i \leq 20 : 1$ (increased splashing losses)
 - c) the actual continuous operating time $> 3h$ (thermal load)

Please contact application engineering for gearbox types marked * .

Higher powers possible with short term operation. For continuous operation special features (optimal oil-level, oil-cooler etc.) may be required, please consult factory.

Each application requires either the calculation or the measurement of the required motor power. Base the motor selection on the above power requirement. Intermittent shock loading should not be considered for motor power determination.

On the other hand, it is important to consider the type of loading when selecting the gearbox size. The service factor f_B can be determined by taking into account the factor of inertia m_{af} as well as cycles/ hour and the operating time.

Type of loading for gearboxes and geared motors:

- A** Light conveyor screws, fans, assembly lines, light conveyor belts, small agitators, elevators, cleaning machines, filling machines, inspection machines, belt conveyors.

- B** Coilers, feed-mechanism drivers for wood- working machines, dumbwaiters, balancing machines, thread cutting machines, medium-sized agitators and mixers, heavy conveyor belts, winches, sliding doors, manure scrapers, packing machines, concrete mixers, crane traveling mechanisms, mills, bending machines, gear pumps.
- C** Heavy mixers, shears, presses, centrifuges, rolling stands, heavy winches and lifts, grinding mills, stone crushers, bucket elevators, punching machines, hammer mills, eccentric presses, folding machines, roller tables, tumbling barrels, vibrators, shredders.

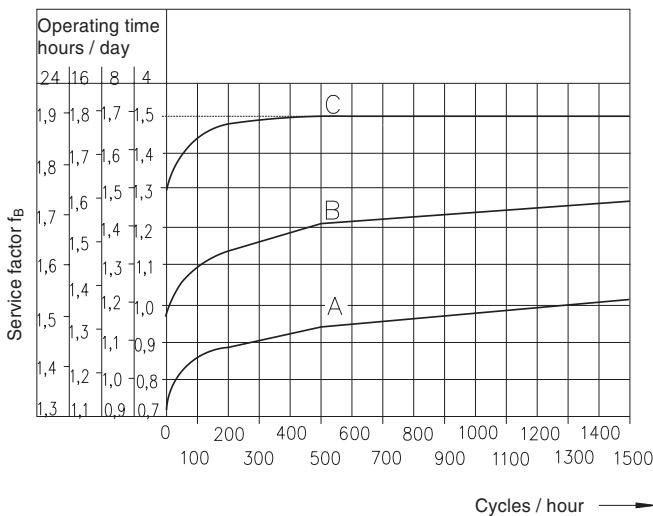
Other machines should be associated to one of the three groups, depending on the type of load they represent.

The service factor is the quotient of maximum output torque and nominal output torque where nominal output torque is defined as the quotient of power and output speed.

$$\text{Output torque } T_2 = \frac{63025 \cdot P \cdot \eta}{n_2} \quad \begin{matrix} P \text{ [HP]} \\ n_2 \text{ [RPM]} \end{matrix} \quad \text{[Lb - in]}$$

$$\text{Service factor } f_B = \frac{T_{2 \text{ max}}}{T_2}$$

To select the correct gearbox the service factor taken from the diagram must be less than or at maximum equal the service factor which is listed in the selection charts at the appropriate speed. The listed overhung load values are based on a service factor $f_B = 1$.



TYPE OF LOADING: MASS ACCELERATION FACTOR:

- | | | |
|----------|----------------|---------------------|
| A | uniform | $m_{af} \leq 0.25$ |
| B | moderate shock | $m_{af} \leq 3.00$ |
| C | heavy shock | $m_{af} \leq 10.00$ |

$$m_{af} = \frac{I_{ex. red.}}{I_{Mot.}}$$

$I_{ex. red.}$ = all external inertia moments corrected to motor input

$I_{Mot.}$ = moment of inertia of the motor

Solid input shaft and NEMA C-face adapters

The powers listed refer to W - Types. For NEMA C-face the standard powers refer to frame sizes by industry standards.

C-face adapter couplings are not fail - safe. For hoist- and lift- applications please contact factory.

OVERHUNG LOADS

The following table lists the overhung loads for foot and flange mounted units. Loads are calculated as applied to the midpoint of the shaft. The listed values are based on service factor $f_B = 1$. For shock loading applications the service factor has to be taken into consideration.

The permissible overhung load values listed are based on the least favorable loading direction. For higher overhung load values please contact the factory with the exact loading direction and required life expectancy.

If there are transmission elements connected to the output shaft a factor f_z has to be taken into account when calculating the applied overhung load.

The effective overhung load at the gearbox shaft will be determined as follows:

$$F_{Q \text{ exis.}} = \frac{2 \cdot T_2}{d_o} \cdot f_z \leq F_{Q \text{ perm}}$$

$F_{Q \text{ exis.}}$ Existing overhung load at the gearbox shaft [Lb]

$F_{Q \text{ perm}}$ perm. overhung load values from selection table [Lb]

T_2 output torque of gearbox [Lb-in]

f_z coefficient from table

d_o dia of overhung load member [in]

EXPLANATORY NOTES

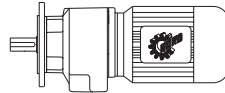
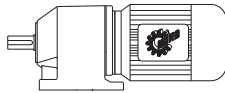


Table for f_z

Transmission elements	Factor f_z	Notes
Gears	1.1	$z \leq 17$ teeth
Sprockets	1.4	$z \leq 13$ teeth
Sprockets	1.2	$z \leq 20$ teeth
Timing belt pulleys	1.3	
Narrow V-belt pulleys	1.7	pre-tension
Flat belt pulleys	2.5	

If the load is not applied at the midpoint of the shaft, the permissible overhung load value can be calculated for any-point on the shaft ($=x$) by using the following equation I and II.

Equation I
$$F_{QXL} = F_Q \cdot \frac{z}{y + x}$$

Equation II
$$F_{QXW} = \frac{c}{f + x}$$

F_{QXL} permiss. overhung load values at point x - working life [Lb]

F_{QXW} permiss. overhung load values at point x - shaft strength [Lb]

F_Q permiss. overhung load from table, application of force at center of shaft [Lb]

x distance from shaft shoulder to the point where the load is applied [in]

$\left. \begin{matrix} c \\ f \\ y \\ z \end{matrix} \right\}$ for factors see table
 [Lb-in]
 [in]
 [in]
 [in]

Please note that after calculating equation I (life) and equation II (shaft strength) the lower of the two results is the permissible overhung load value.

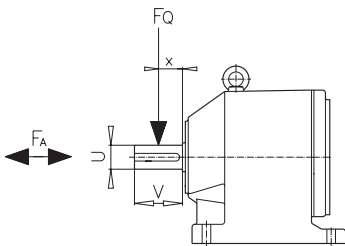
Heavy Duty Bearing Type VL and AL

The NORDBLOC units are also available with heavy duty output bearings. For the sizes SK 272 to 573 there are options for heavy duty bearings, which are suitable for axial loads as well as for radial loads. For the sizes SK 672 and up there are two different options for heavy duty bearings:

- 1) heavy duty bearing-radial load VL
- 2) heavy duty bearing-axial load AL

The usage of heavy duty bearing for the mounting positions V3 and V6 must be checked as a special case. Please contact your local sales office.

The heavy duty bearing options use high load type roller bearings, which require a minimum load to avoid slip of the rolling element. Therefore the load when using heavy duty bearing needs to be at least 5% of the stated maximum values F_{QVL} respectively F_{AAL} . If the load is less than this minimum, the standard bearing should be selected.

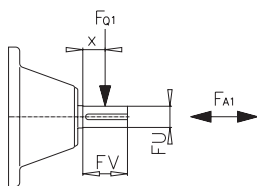


CONVERSION TABLE FOR OVERHUNG LOADS AT OUTPUT SHAFT

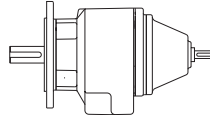
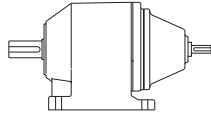
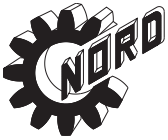
Gearbox type	y [in]	z [in]	c		f		U [in]	V [in]
			normal [Lb-in]	heavy duty [Lb-in]	normal [in]	heavy duty [in]		
SK 172	2.087	2.874	619	--	0.394	--	0.750	1.57
SK 272	2.461	3.445	1150	3097	0.551	1.181	1.000	1.97
SK 273	2.697	3.681	1150	1593	0.512	0.512	1.000	1.97
SK 372	2.461	3.445	1062	3009	0.551	1.181	1.000	1.97
SK 373	2.657	3.642	1062	1504	0.512	0.512	1.000	1.97
SK 472	2.500	4.350	1947	4602	0.669	0.472	1.250	2.36
SK 473	3.973	5.315	3097	4602	1.043	1.161	1.250	2.36
SK 572	3.150	4.547	3009	4513	0.728	0.472	1.375	2.75
SK 573	4.134	5.512	2832	5044	1.043	1.161	1.375	2.75
SK 672	3.583	4.961	2478	5664	0.669	1.220	1.375	2.75
SK 673	3.973	5.315	2389	3894	0.787	0	1.375	2.75
SK 772	3.854	5.429	3186	7434	0.630	1.260	1.625	3.15
SK 773	4.094	5.669	3097	5310	0.827	0.906	1.625	3.15
SK 872	4.744	6.713	8850	18673	1.024	1.890	2.125	3.94
SK 873	5.906	7.874	5487	8230	1.220	0	2.125	3.94
SK 972	5.472	7.835	13894	26550	1.299	2.283	2.375	4.72
SK 973	6.417	8.780	9381	14160	1.220	0	2.375	4.72

CONVERSION TABLE FOR OVERHUNG LOADS AT INPUT SHAFT

Gearbox type	y [in]	z [in]	c [Lb-in]	FU [in]	FV [in]	f [in]
SK 172	2.303	3.091	239	0.500	1.13	0
SK 272	2.303	3.091	327	0.625	1.57	0
SK 273	2.303	3.091	371	0.625	1.57	0
SK 372	2.303	3.091	327	0.625	1.57	0
SK 373	2.303	3.091	371	0.625	1.57	0
SK 472	2.343	3.130	522	0.750	1.57	0
SK 473	2.343	3.130	575	0.750	1.57	0
SK 572	2.343	3.130	486	0.750	1.57	0
SK 573	2.343	3.130	575	0.750	1.57	0
SK 672	2.343	3.130	238	0.750	1.57	0
SK 673	2.343	3.130	557	0.750	1.57	0
SK 772	2.717	3.701	964	0.875	1.97	0
SK 773	2.717	3.701	1088	0.875	1.97	0
SK 872	4.055	5.236	2433	1.125	2.36	0.63
SK 873	4.055	5.236	2601	1.125	2.36	0.63
SK 972	5.413	7.008	4761	1.375	3.15	0.71
SK 973	5.413	7.008	5068	1.375	3.15	0.71



EXPLANATORY NOTES



Load Ratings on Solid Input Shafts

Permissible Overhung Loads F_{Q1} *

Gearbox Size	Motor Power (HP)																	
	0.16	0.25	0.33	0.5	0.75	1	1.5	2	3	5	7.5	10	15	20	25	30	40	50
SK 172	124	122	119	113	106	98	83	68										
SK 272 to SK 373	191	185	176	169	162	158	136	97	95	52								
SK 472 to SK 673	479	473	466	461	448	434	407	414	389	362	230	225						
SK 772 & SK 773	517	495	473	466	495	450	439	428	410	394	338	293	158	90				
SK 872 & SK 873							722	671	637	605	473	401	297	279	209	137		
SK 972 & SK 973							1006	954	938	866	684	621	457	416	360	326	232	194

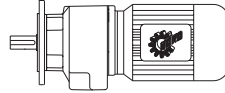
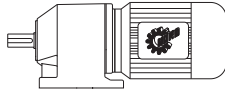
* at the midpoint of the shaft and with no axial load

Permissible Axial (Thrust) Loads F_{A1} **

Gearbox Size	Motor Power (HP)																	
	0.16	0.25	0.33	0.5	0.75	1	1.5	2	3	5	7.5	10	15	20	25	30	40	50
SK 172	124	122	119	113	106	98	83	68										
SK 272 to SK 373	191	185	176	169	162	158	136	97	95	52								
SK 472 to SK 673	479	473	466	461	448	434	407	414	389	362	230	225						
SK 772 & SK 773	517	495	473	466	495	450	439	428	410	394	338	293	158	90				
SK 872 & SK 873							722	671	637	605	473	401	297	279	209	137		
SK 972 & SK 973							1006	954	938	866	684	621	457	416	360	326	232	194

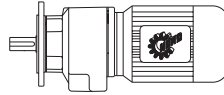
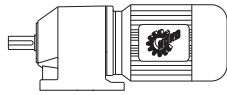
** with no overhung load

EXPLANATORY NOTES



GEAR TYPE	GEAR DESIGN
FOOT MOUNTED	
<p>SK 172 - SK 972 = Helical Gearboxes double reduction, foot mounted</p> <p>SK 273 - SK 973 = Helical Gearboxes triple reduction, foot mounted</p>	<p>Flange mounting B14</p> <p>Foot/Flange mounting B3 / B14</p> <p>Foot/Flange mounting B3 / B5</p>
FLANGE MOUNTED	
<p>SK 172 F - SK 972 F = Helical Gearboxes double reduction, flange mounted Flange B5</p> <p>SK 273 F - SK 973 F = Helical Gearboxes triple reduction, flange mounted Flange B5</p>	<p>Reinforced bearing radial VL</p> <p>Reinforced bearing axial AL</p>

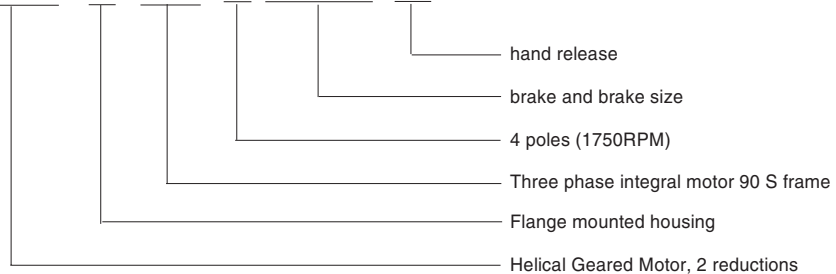
EXPLANATORY NOTES



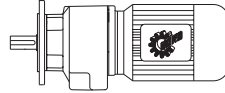
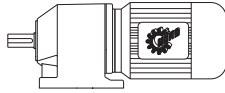
INPUT OPTIONS	MOTOR	NUMBER OF POLES	INTEGRAL MOTOR OPTIONS
W = solid input shaft C - Face Motor Adapters = 56 C 280 TC Metric Motor Adapters = IEC 63 IEC 200	Integral Motors = 63 S 225 S C - Face Motors = 56 C 286 TC IEC Motors = 63 200 High Efficiency Integral Motors = 80 LH.....225 SH	4 = 4 - poles (1750) other pole combinations on request	BRE = with brake RG = Brake corrosion-protected SR = Brake dust-proof HL = Brake motor with hand release TF = Thermistors TW = Thermostat WE = 2 nd motor shaft end WU = Soft start rotor Z = high inertia fan EF = Blower fan, single phase 230 V, IP 54 63 - 132 frames only ZF = Blower fan, 2- phase 460 V, IP 56 63, 71 and 80 frames only DF = Blower fan, 3-phase 460 V, IP 56 90 - 160 frames only IG = Incremental encoder FK = Overrunning clutches RLS = Backstop

EXAMPLE WHEN ORDERING:

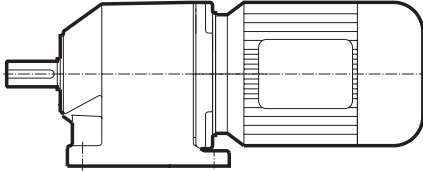
SK 472 F - 90 S/ 4 BRE 20 HL



EXPLANATORY NOTES



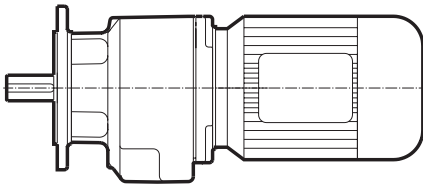
1



SK 472 - 90 S/4

Helical Gearmotor, double reduction, foot mounting
also available Foot/flange mounting (B3/B14 or B3/B5) see page 77

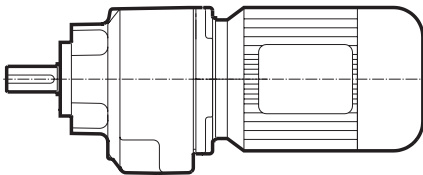
2



SK 472 F - 90 S/4

Helical Gearmotor, double reduction, bolt-on B5 flange mounting

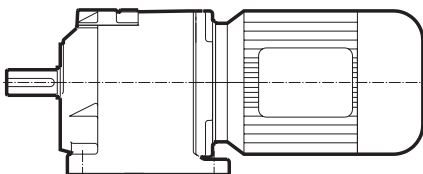
3



SK 472 Z - 90 S/4

Helical Gearmotor, double reduction, integral flange mounting, B14
see page 76

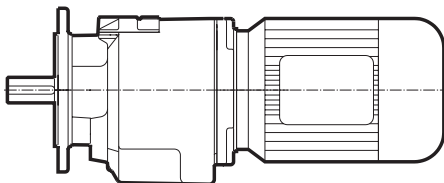
4



SK 473 - 71 S/4

Helical Gearmotor, triple reduction, foot mounting
also available Foot/flange mounting (B3/B14 or B3/B5) see page 77

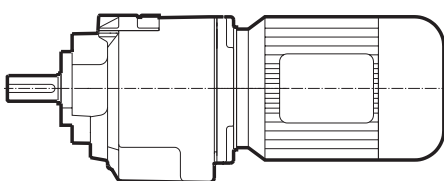
5



SK 473 F - 71 S/4

Helical Gearmotor, triple reduction, bolt-on B5 flange mounting

6

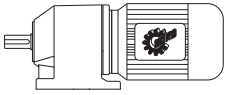


SK 473 Z - 71 S/4

Helical Gearmotor, triple reduction, integral flange mounting, B14
see page 76


Helical Gearboxes are also available
- with solid input shaft (suffix - W)
- with NEMA C-face adapters

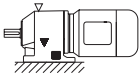
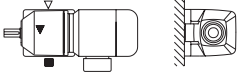
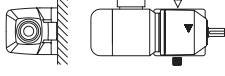
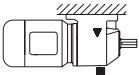
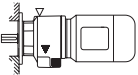
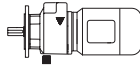
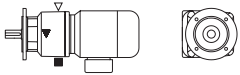
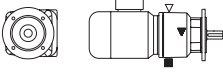
HELICAL GEAR UNITS




MOUNTING POSITION





HORIZONTAL POSITION



B 3 	B 6 	B 7 
B 8 	B 5 	B 5 I 
B 5 II 	B 5 III 	

VERTICAL POSITION



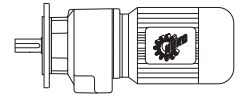
V 1 	V 3 	V 5 
V 6 	Mounting positions V 1 or V 5 may include lubricant expansion unit (see page 79)	

Gear units SK 172 - SK 373 have no vent or drain plugs.

Symbols: Vent plug  Oil level  Drain plug  Mounting surface 



HELICAL GEAR UNITS



POSITION OF TERMINAL BOX AND CABLE ENTRY

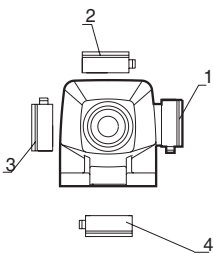
Integral motor design:

Unless otherwise specified the terminal box is at 1, cable entry is at I.

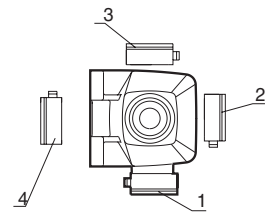
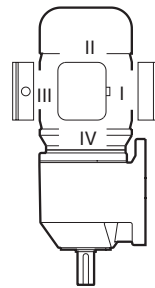
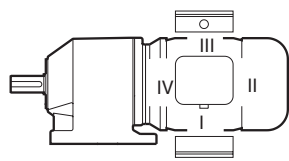
If other positions are required, please specify when ordering.

NEMA C-face motor:

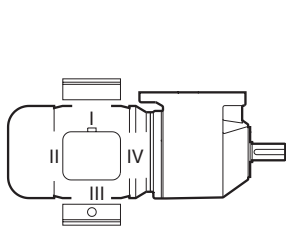
Unless otherwise specified the terminal box is at 3, cable entry is at I
Cable entry is possible only at I or III.



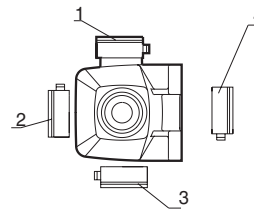
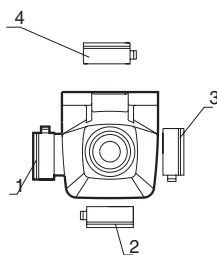
B 3



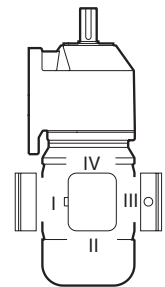
B 6



B 8



B 7

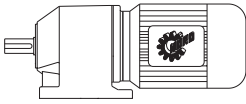


PAINT COATINGS

Type	Finish	Recommendation
Finish 1 primed only	Pack dip - primer (red - brown)	For top - coat to be applied by customer
Finish 2 standard	Pack dip - primer Top coat of stainless steel metallic silver grey acrylic	For normal ambient conditions indoors and outdoors USDA authorized for incidental contact
Finish 3 severe duty	Pack dip - primer (2) coats of stainless steel metallic silver grey acrylic	For indoor and outdoor use and hose - down applications and food industry USDA authorized for incidental contact

Additional precautions for Finish of type 1-3:

Unless otherwise noted, mounting surfaces are painted.
Shaft ends are provided with anti-rust paint.



HELICAL GEAR UNITS



LUBRICATION

APPROXIMATE CAPACITY [Quarts]

(For mounting positions see page 12)

	Helical Gearboxes. double reduction											
	Horizontal position								Vertical position			
	B 3	B 6	B 7	B 8	B 5	B 5I	B 5II	B 5III	V 1	V 3	V 5	V 6
SK 172	0.37	0.53	0.53	0.53	0.37	0.53	0.53	0.53	0.53	0.53	0.53	0.53
SK 272	0.63	1.06	1.09	1.06	0.63	1.06	1.06	1.06	1.06	1.06	1.06	1.06
SK 372	0.63	1.06	1.06	1.06	0.63	1.06	1.06	1.06	1.06	1.06	1.06	1.06
SK 472	1.06	1.90	1.90	2.01	1.06	2.01	2.01	1.59	2.01	2.01	2.11	2.01
SK 572	1.06	1.90	1.90	2.01	1.06	2.01	2.01	1.59	2.01	2.01	2.11	2.01
SK 672	1.48	3.81	3.81	3.81	1.48	3.81	3.81	3.81	3.81	3.81	3.81	3.81
SK 772	2.11	2.85	3.49	3.70	1.69	3.70	3.28	3.28	3.49	3.49	4.44	3.49
SK 872	3.91	4.97	8.46	9.62	3.70	8.35	4.12	7.61	8.14	9.51	7.72	10.15
SK 972	6.87	8.98	14.80	16.59	6.87	13.74	6.87	12.68	14.27	15.86	15.54	16.91
	Helical Gearboxes. triple reduction											
	Horizontal position								Vertical position			
	B 3	B 6	B 7	B 8	B 5	B 5I	B 5II	B 5III	V 1	V 3	V 5	V 6
SK 273	0.66	1.16	1.16	1.16	0.66	1.16	1.16	1.16	1.16	1.16	1.16	1.16
SK 373	0.58	1.16	1.16	1.16	0.58	1.16	1.16	1.16	1.16	1.16	1.16	1.16
SK 473	1.37	2.22	2.22	2.22	1.32	2.22	2.22	2.22	2.64	2.54	2.54	2.64
SK 573	1.37	2.22	2.22	2.22	1.32	2.22	2.22	2.22	2.64	2.54	2.54	2.64
SK 673	1.90	2.96	2.96	2.96	1.80	3.38	3.38	3.38	3.38	3.81	3.38	3.38
SK 773	2.64	3.49	3.49	3.91	2.43	3.81	4.12	4.12	4.76	5.29	4.86	4.76
SK 873	4.76	7.93	7.93	7.93	5.29	8.03	8.46	8.46	8.46	9.30	9.62	8.88
SK 973	8.46	14.06	13.74	13.74	7.40	13.74	14.80	14.80	16.91	17.44	16.91	16.70

The standard lubrication is mineral-oil (viscosity class ISO VG 220. ambient temperature - 5°C to 40°C).
Synthetic-oil available at surcharge.

REMARK:

Filling quantities are approx. figures. Oil level must be checked according to oil-level plug.










LUBRICATION

All Nord Gear Motors and Speed Reducer leave the factory filled with lubricant adjusted according to the mounting position shown on page 12.
Gear units have mineral oil ISO 220 grade as a standard lubricant.

When other lubricants are selected please specify the ISO grade and the type of lubricant.

Mineral based lubricant should be changed every 10.000 service hours or after two years. For synthetic oils, the lube should be changed every 20.000 service hours or after four years. In case of extreme operating conditions (e.g. high humidity, aggressive environment or large temperature variations), shorter intervals between changes are recommended. It is advisable to combine lubricant change with a thorough cleaning of the gear unit. Bearings filled with grease must also be cleaned as scheduled above and packed with fresh grease. Ensure that the bearing cavity is packed to about 1/3 full with grease.

Note: Synthetic and mineral based lubricants must do not mixed !

Type of lubricant	Ambient temperature °C				TEXACO			Mobil			TRIBOL
Mineral oil	- 5... 40 (normal) ISO VG 220	Degol BG 220	Energol GR-XP 220	Alpha SP 220 Alpha MW 220 Alpha MAX 220	Meropa 220	Spartan EP 220	Klüberoil GEM 1-220	Mobilgear 630	Optigear BM 220	Shell Omala 220	Tribol 1100 / 220
	- 15 ... 25 ISO VG 100	Degol BG 100	Energol GR-XP 100	Alpha SP 100 Alpha MW 100 Alpha MAX 100	Meropa 150	Spartan EP 100	Klüberoil GEM 1-100	Mobilgear 629	Optigear BM 100	Shell Omala 100	Tribol 1100 / 100
	* - 50 ... - 15 ISO VG 15	Vitolol 1010	Bartran HV15	Hyspin AWS 15 Hyspin SP 15 Hyspin ZZ 15	Rando HGZ 15	Univis J 13	Isoflex MT 30 rot	Mobil DTE 11 M	Optimol Ultra 10	Shell Tellus T15	Tribol 943 AW 22
Synthetic Oil	- 25... 80 ISO VG 220	Degol GS 220	Energyn SG-XP 220	Alphasyn PG 220	Pinnacle EP 220	Glycolube 220	Klübersynth GH 6-220	SHC 630	Optiflex A 220	Shell Tivela WB	Tribol 800 / 220
Biodegradable oil	- 25... 80 ISO VG 220	Degol BAB 220	Biogear SE 220	Carelube GES 220			Klüber-Bio GM2 - 220		Optisynth BS 220		Tribol Bio Top 1418 / 220
Food grade oil ¹⁾	- 25 ... 80 ISO VG 220	Eural Gear 220		Vitalube GS 220	Cygnus 220	GEAR OIL FM 220	Klüberoil 4UH1 - 220 Klübersynth UH1 -6- 220	Mobil DTE FM 220	Optileb GT 220	Shell Cassida Fluid GL 220	Tribol Food Proof 1810 / 220 oder 1800 / 220
Synthetic fluid grease	- 35... 60	Aralub BAB EP0	Energyn GSF	Alpha Gel 00	Starfak 220	Fließfett S 420	Klübersynth GE 46-1200	Glygoyle Grease 00	Obeen UF 00	Shell Tivela compound A Tivela GL 00	Tribol 800 / 1000
ANTI FRICTION BEARINGS											
Grease (mineral oil base)	- 30 ... 60 (normal)	Aralub HL 2	Energrease LS 2	Speherol AP - 2 LZV - EP	Premium RB	Mehrzweckfett Beacon 2	Centoplex 2	Mobilux 3	Longtime PD 2	Shell Alvania R 2 oder RL 2	Tribol 4020 / 220 - 2
	* - 50 ... 110	Aralub SEL 2		Speherol EPL - 2			Centoplex 1DL	Mobilux 2			Tribol 3785
Synthetic grease	* - 50 ... 110	Aralub SKL 2		Product 783/46	Starfak Lowtemp EP	Beacon 325	Isoflex Topas NB 52	Mobiltemp SHC 32	Optitemp LG 2	Aero Shell Grease 16 oder 7	Tribol 3499
Biodegradable grease	- 20 ... 120	Aralub BAB EP 2	BP Biogrease EP 2	Biotec			Klüberbio M 32 - 82	Schmierfett UE 100 B		Shell Alvania RLB 2	Molub - Alloy Bio Top 9488
Food grade grease ¹⁾	- 20 ... 120	Eural Grease EP 2	BP Energrease FM 2	Vitalube HT Grease 2	Cygnus 2	Carum 330	Klübersynth UH1 14 - 151	Mobilgrease FM 102	Obeen UF 2	Shell Cassida RLS 2	Molub - Alloy Food Proof 823 - 2 FM

¹⁾ Food grade lubricants with USDA-H1 approval: H1 / FDA 178.3570

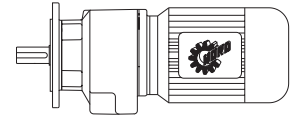
* With ambient temperatures below - 30° C and above approx. 60° C, special oil seals must be used.

HELICAL GEAR MOTORS



HELICAL GEAR MOTORS

THREE PHASE



Power [HP]	Output speed **			Output torque T ₂ [LB-IN]	Service factor f _B	Red. Ratio i _{total}	Standard bearing		Radial HD bearing ¹⁾	Axial HD bearing ²⁾	Type	Weight approx. Mounting position B3 [LBS]	Dimensions page
	n ₂ [RPM]						F _{Q N} ¹⁾	F _{A N} ²⁾	F _{Q VL} ¹⁾	F _{A AL} ²⁾			
	AGMA						[LBS]	[LBS]	[LBS]	[LBS]			
I	II	III											
0.16			4.8	2097	2.7	340.54	1413	1721	1886	4500	SK 673 - 63S/4	71	52 / 53
			5.3	1903	2.1	309.58	1501	1721	2475	3263	SK 573 - 63S/4	54	52 / 53
			6.7	1505	2.6	244.95	1517	1721	2475	3263			
		5.3		1903	1.5	309.58	1656	1721	1940	3263	SK 473 - 63S/4	54	50 / 51
		6.7		1505	1.9	244.95	1674	1721	1949	3263			
			7.4	1363	2.1	218.59	1679	1721	1951	3263			
			8.5	1186	2.4	192.51	1685	1721	1955	3263			
			9.5	1062	2.7	172.96	1690	1721	1955	3263			
			11	920	3.1	152.33	1692	1721	1958	3263			
			12	841	3.2	134.32	1694	1721	1960	3263			
		6.7		1505	1.3	238.68	747	844	1541	2363	SK 373 - 63S/4	33	50 / 51
			8.4	1204	1.6	188.86	785	844	1584	2363			
		10		1009	1.9	161.01	806	844	1607	2363			
			13	779	2.5	127.40	826	844	1627	2363			
			17	593	3.3	98.94	837	844	1640	2363			
			19	531	3.7	85.47	839	844	1643	2363			
		4.8		* 1549	* 0.8	330.90	740	844	1535	2363	SK 273 - 63S/4	33	50 / 51
		6.5		* 1549	* 0.8	245.21	740	844	1535	2363			
		8.5		1186	1.0	188.81	788	844	1586	2363			
		9.6		1053	1.2	165.97	801	844	1602	2363			
			12	841	1.5	127.79	821	844	1622	2363			
			14	717	1.7	107.65	828	844	1631	2363			
			20	504	2.5	82.89	839	844	1645	2363			
			23	443	2.8	71.41	844	844	1647	2311			
			26	389	3.2	61.73	844	844	1649	2241			
			25	407	2.9	64.75	824	1193	1400	2363	SK 272 - 63S/4	32	50 / 51
		20		504	1.2	79.56	587	736	743	1845	SK 172 - 63S/4	22	50 / 51
			28	363	2.1	58.96	599	736	743	1845			
			34	301	2.5	48.32	603	736	743	1845			
			36	283	2.7	45.40	605	736	743	1845			
			44	230	3.4	37.21	608	736	743	1845			
			53	195	4.0	30.58	608	736	743	1845			
			56	177	4.3	29.10	610	736	743	1845			
			60	168	4.5	27.61	610	736	743	1845			
			70	142	5.5	23.91	610	736	743	1845			
		77	133	5.9	21.59	610	736	743	1845				
		92	106	6.9	17.87	612	736	743	1845				
		96	106	7.2	17.17	612	736	743	1845				
		113	89	8.4	14.84	612	736	743	1845				
		128	79	9.5	12.98	612	736	743	1845				
		137	73	10.2	12.16	612	736	743	1845				
		146	69	10.4	11.41	612	736	743	1845				
		166	61	11.2	10.07	612	736	743	1820				
		178	57	11.7	9.35	612	736	743	1787				
		202	50	12.8	8.25	594	736	743	1719				
		216	47	11.7	7.68	581	736	743	1683				
		240	42	12.8	6.94	560	736	743	1636				
		262	39	13.3	6.34	547	736	743	1595				
		289	35	14.5	5.74	529	736	743	1548				
		319	32	15.7	5.21	511	736	743	1503				
		353	28	17.0	4.71	495	736	743	1460				

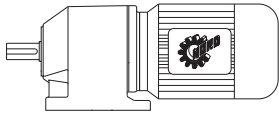
* service factor < 1.0

I		= f _B 0.8 - 1.39
II		= f _B 1.4 - 1.99
III		= f _B ≥ 2.0

1) with F_A = 0 Lb

2) with F_Q = 0 Lb

** Output speeds may be slightly different than shown. For precise speed calculate with the motor speed and the ratio.



HELICAL GEAR MOTORS

THREE PHASE



Power [HP]	Output speed **			Output torque T ₂ [LB-IN]	Service factor f _B	Red. Ratio i _{total}	Normal bearing		Radial HD bearing	Axial HD bearing	Type	Weight approx. Mounting position B3 [LBS]	Dimensions page			
	n ₂ [RPM]						F _{QN} ¹⁾ OHL	F _{AN} ²⁾ Thrust	F _{QvL} ¹⁾ OHL	F _{AL} ²⁾ Thrust						
	I	II	III				[LBS]	[LBS]	[LBS]	[LBS]						
0.16			408	25	19.0	4.07	473	736	743	1400	SK 172 - 63S/4	22	50 / 51			
			426	24	18.7	3.90	466	725	743	1382						
			493	20	20.8	3.37	443	686	743	1325						
			548	19	20.9	3.03	428	653	743	1283						
			635	16	21.7	2.62	407	614	743	1229						
			745	13	20.9	2.23	387	574	743	1170						
			862	12	21.7	1.93	369	540	743	1121						
0.25			4.8	3283	2.3	343.08	1681	2025	2381	5625	SK 773 - 63L/4	86	52 / 53			
			5.5	2867	2.2	293.34	1701	2025	2394	5625						
			4.8	3283	1.7	340.54	1339	1721	1836	4500	SK 673 - 63L/4	71	52 / 53			
			6.1	2584	2.2	267.99	1386	1721	1868	4500						
			7.8	2018	2.8	211.34	1418	1721	1890	4500						
			8.9	1770	3.1	185.29	1427	1721	1897	4500						
			5.3	2974	1.3	309.58	1438	1721	2462	3263				SK 573 - 63L/4	54	52 / 53
			6.7	2354	1.7	244.95	1478	1721	2475	3263						
			7.4	2133	1.9	218.59	1490	1721	2475	3263						
			8.5	1859	2.1	192.51	1503	1721	2475	3263						
			9.5	1655	2.4	172.96	1512	1721	2475	3263						
			5.3	2974	1.0	309.58	1586	1721	1901	3263	SK 473 - 63L/4	54	50 / 51			
			6.7	2354	1.2	244.95	1631	1721	1926	3263						
			7.4	2133	1.3	218.59	1645	1721	1933	3263						
			8.5	1859	1.5	192.51	1658	1721	1940	3263						
			9.5	1655	1.7	172.96	1667	1721	1944	3263						
			11	1434	2.0	152.33	1676	1721	1951	3263						
			12	1310	2.0	134.32	1681	1721	1953	3263						
			14	1124	2.4	118.30	1688	1721	1955	3263						
			16	982	2.7	106.70	1692	1721	1958	3263						
			17	929	2.9	95.90	1692	1721	1958	3263						
			20	788	3.4	82.08	1694	1721	1960	3263						
			23	681	3.9	72.18	1697	1721	1960	3263						
			26	611	4.4	64.10	1699	1721	1962	3263						
			29	540	4.9	57.96	1699	1721	1962	3263						
			31	504	5.2	53.42	1701	1721	1962	3263						
			25	628	4.2	65.56	1202	1832	2475	3263	SK 472 - 63L/4	52	50 / 51			
			6.7	* 2354	* 0.8	238.68	560	844	1357	2363	SK 373 - 63L/4	33	50 / 51			
			8.4	1876	1.0	188.86	682	844	1474	2363						
			10	1575	1.2	161.01	736	844	1530	2363						
			13	1212	1.6	127.40	785	844	1584	2363						
			17	929	2.1	98.94	812	844	1613	2306						
		19	832	2.3	85.47	821	844	1622	2259							
		23	681	2.8	73.94	830	844	1634	2169							
		25	628	3.1	66.38	835	844	1638	2131							
		26	611	3.2	63.29	835	844	1638	2111							
		32	496	3.1	51.23	819	1193	988	2363	SK 372 - 63L/4				32	50 / 51	
		37	425	3.2	45.40	821	1193	988	2363							

* service factor < 1.0

I	= f _B 0.8 - 1.39
II	= f _B 1.4 - 1.99
III	= f _B ≥ 2.0

1) with F_A = 0 Lb

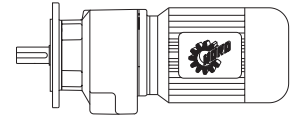
2) with F_Q = 0 Lb

** Output speeds may be slightly different than shown. For precise speed calculate with the motor speed and the ratio.

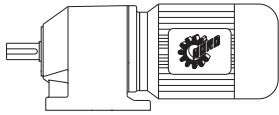


HELICAL GEAR MOTORS

THREE PHASE



Power [HP]	Output speed **			Output torque T ₂ [LB-IN]	Service factor f _B	Red. Ratio i _{total}	Standard bearing		Radial HD bearing	Axial HD bearing	Type	Weight approx. Mounting position B3 [LBS]	Dimensions page						
	n ₂ [RPM]						F _{Q N} ¹⁾ OHL	F _{A N} ²⁾ Thrust	F _{Q VL} ¹⁾ OHL	F _{A AL} ²⁾ Thrust									
	AGMA						[LBS]	[LBS]	[LBS]	[LBS]									
I	II	III																	
0.25	9.6 12 14	20 23	26 30 35 40	* 1646	* 0.8	165.97	725	844	1517	2363	SK 273 - 63L/4	33	50 / 51						
				* 1310	* 0.9	127.79	774	844	1571	2363									
				1124	1.1	107.65	794	844	1593	2363									
				788	1.6	82.89	824	844	1627	2273									
				681	1.8	71.41	830	844	1634	2210									
				611	2.0	61.73	835	844	1638	2153									
				522	2.4	53.98	839	844	1645	2088									
				451	2.8	47.44	842	844	1647	2009									
				398	3.1	41.78	844	844	1649	1942									
				25	29 32 37 42	26 30 35 40	628	1.8	64.75	812				1193	1397	2363	SK 272 - 63L/4	32	50 / 51
							540	2.1	57.38	817				1193	1400	2363			
							496	2.5	51.23	819				1193	1400	2363			
	425	2.9	45.40				821	1193	1400	2363									
	372	3.3	39.78				824	1193	1400	2363									
	28	34 36	44 53 56 60 70 77 92 96 113 128 137 146 166 178 202 216 240 262 289 319 353 408 426 493 548 635 745 862				566	1.3	58.96	581	736	743	1845	SK 172 - 63L/4	22	50 / 51			
				460	1.6	48.32	592	736	743	1845									
				434	1.7	45.40	594	736	743	1845									
				354	2.2	37.21	601	736	743	1845									
				301	2.6	30.58	603	736	743	1845									
				283	2.8	29.10	605	736	743	1845									
				266	2.9	27.61	605	736	743	1845									
				221	3.5	23.91	608	736	743	1845									
				204	3.8	21.59	608	736	743	1845									
				168	4.4	17.87	610	736	743	1845									
				168	4.6	17.17	610	736	743	1845									
				142	5.4	14.84	610	736	743	1845									
				124	6.1	12.98	610	736	743	1845									
				115	6.5	12.16	610	736	743	1845									
				106	6.6	11.41	612	736	743	1845									
				97	7.2	10.07	612	736	743	1798									
				89	7.5	9.35	612	736	743	1762									
				78	8.2	8.25	590	736	743	1701									
	73	7.5	7.68	576	736	743	1667												
	65	8.2	6.94	556	736	743	1618												
	60	8.5	6.34	542	736	743	1582												
	55	9.2	5.74	524	736	743	1532												
50	10.0	5.21	509	736	743	1492													
44	10.9	4.71	493	736	743	1449													
39	12.1	4.07	470	722	743	1391													
37	12.0	3.90	464	709	743	1373													
32	13.3	3.37	441	668	743	1316													
29	13.4	3.03	425	639	743	1278													
25	13.9	2.62	405	603	743	1222													
21	13.4	2.23	385	563	743	1166													
19	13.9	1.93	367	531	743	1116													
0.33	4.8 5.5	6.1 7.2 7.8 9.1 12	4337	1.7	343.08	1620	2025	2340	5625	SK 773 - 71S/4	88	52 / 53							
			3779	1.7	293.34	1654	2025	2363	5625										
			3407	2.2	269.99	1674	2025	2376	5625										
			2894	2.6	230.85	1699	2025	2392	5625										
			2664	2.9	212.92	1708	2025	2399	5625										
			2283	3.3	182.05	1721	2025	2408	5625										
			1735	4.4	140.89	1739	2025	2419	5297										
			* service factor < 1.0																
I	= f _B 0.8 - 1.39			1) with F _A = 0 Lb				2) with F _a = 0 Lb											
II	= f _B 1.4 - 1.99																		
III	= f _B ≥ 2.0			** Output speeds may be slightly different than shown. For precise speed calculate with the motor speed and the ratio.															



HELICAL GEAR MOTORS

THREE PHASE



Power [HP]	Output speed **			Output torque T ₂ [LB-IN]	Service factor f _B	Red. Ratio i _{total}	Normal bearing		Radial HD bearing	Axial HD bearing	Type	Weight approx. Mounting position B3 [LBS]	Dimensions page	
	n ₂ [RPM]						F _{QN} ¹⁾ OHL	F _{AN} ²⁾ Thrust	F _{QvL} ¹⁾ OHL	F _{AL} ²⁾ Thrust				
	I	II	III				[LBS]	[LBS]	[LBS]	[LBS]				
0.33			17	1221	4.9	98.15	1748	2025	2426	4858	SK 773 - 71S/4	88	52 / 53	
				4337	1.3	340.54	1238	1721	1771	4500	SK 673 - 71S/4	74	52 / 53	
	4.8	6.1		3407	1.6	267.99	1328	1721	1829	4500				
			7.8	2664	2.1	211.34	1382	1721	1865	4500				
			8.9	2336	2.4	185.29	1402	1721	1879	4500				
				3929	1.0	309.58	1352	1721	2408	3263	SK 573 - 71S/4	56	52 / 53	
	5.3			3106	1.3	244.95	1429	1721	2455	3263				
	6.7			2814	1.4	218.59	1449	1721	2468	3263				
		7.4		2451	1.6	192.51	1474	1721	2475	3263				
		8.5		2186	1.8	172.96	1487	1721	2475	3263				
		9.5		1894	2.1	152.33	1501	1721	2475	3263				
			11	1735	2.3	134.32	1510	1721	2475	3263				
			12	1487	2.7	118.30	1519	1721	2475	3263				
			14	1301	3.1	106.70	1523	1721	2475	3263				
			16	1221	3.3	95.90	1526	1721	2475	3263				
			17	1044	3.8	82.08	1532	1721	2475	3263				
			20											
		6.7		* 3106	* 0.9	244.95	1575	1721	1897	3263	SK 473 - 71S/4	56	50 / 51	
		7.4		2814	1.0	218.59	1600	1721	1908	3263				
		8.5		2451	1.2	192.51	1625	1721	1922	3263				
		9.5		2186	1.3	172.96	1640	1721	1931	3263				
			11	1894	1.5	152.33	1656	1721	1940	3263				
			12	1735	1.5	134.32	1665	1721	1944	3263				
			14	1487	1.8	118.30	1674	1721	1949	3263				
			16	1301	2.0	106.70	1681	1721	1953	3263				
			17	1221	2.2	95.90	1683	1721	1953	3263				
			20	1044	2.6	82.08	1690	1721	1955	3263				
			23	903	2.9	72.18	1692	1721	1958	3263				
			26	797	3.3	64.10	1694	1721	1960	3263				
			29	717	3.7	57.96	1697	1721	1960	3263				
			31	673	4.0	53.42	1688	1721	1960	3263				
			25	832	3.2	65.56	1195	1832	2475	3263	SK 472 - 71S/4	55	50 / 51	
		8.4		* 2478	* 0.8	188.86	520	844	1319	2313	SK 373 - 71S/4	35	50 / 51	
		10		* 2080	* 0.9	161.01	637	844	1427	2306				
		13		1602	1.2	127.40	731	844	1526	2259				
			17	1221	1.6	98.94	783	844	1582	2192				
			19	1097	1.8	85.47	797	844	1598	2149				
			23	903	2.2	73.94	815	844	1616	2081				
			25	832	2.3	66.38	821	844	1622	2052				
			26	797	2.4	63.29	824	844	1625	2041				
			30	690	2.8	55.65	830	844	1634	1980				
			34	611	3.2	49.42	835	844	1638	1931				
			32	646	2.4	51.23	812	1193	983	2363		SK 372 - 71S/4	34	50 / 51
		14		* 1487	* 0.8	107.65	749	844	1544	2288		SK 273 - 71S/4	35	50 / 51
		20		1044	1.2	82.89	803	844	1602	2174				
		23	903	1.4	71.41	815	844	1616	2122					
		26	797	1.5	61.73	824	844	1625	2075					
		30	690	1.8	53.98	830	844	1634	2016					
		35	593	2.1	47.44	837	844	1640	1953					
		40	522	2.4	41.78	839	844	1645	1895					
		46	451	2.7	36.54	842	844	1631	1836					
		52	398	3.1	32.11	824	844	1584	1784					

* service factor < 1.0

I	= f _B 0.8 - 1.39
II	= f _B 1.4 - 1.99
III	= f _B ≥ 2.0

1) with F_A = 0 Lb

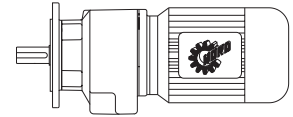
2) with F_a = 0 Lb

** Output speeds may be slightly different than shown. For precise speed calculate with the motor speed and the ratio.



HELICAL GEAR MOTORS

THREE PHASE



Power [HP]	Output speed **			Output torque T ₂ [LB-IN]	Service factor f _B	Red. Ratio i _{total}	Standard bearing		Radial HD bearing ¹⁾ F _{Q VL} ¹⁾ OHL [LBS]	Axial HD bearing ²⁾ F _{A AL} ²⁾ Thrust [LBS]	Type	Weight approx. Mounting position B3 [LBS]	Dimensions page																																											
	n ₂ [RPM]						F _{Q N} ¹⁾ OHL [LBS]	F _{A N} ²⁾ Thrust [LBS]																																																
	AGMA																																																							
0.33	I	II	III	25	1.4	64.75	799	1193	1393	2363	SK 272 - 71S/4	34	50 / 51																																											
				29	1.6	57.38	808	1193	1395	2363																																														
				32	1.9	51.23	812	1193	1397	2363																																														
	0.33	II	III	I	37	2.2	45.40	817	1193	1397				2363																																										
					42	2.5	39.78	819	1193	1400				2356																																										
					47	2.8	35.26	821	1193	1400				2293																																										
					0.33	II	III	I	53	3.2				31.17	824	1193	1400	2225																																						
									28	1.0				58.96	556	736	743	1845																																						
									34	1.2				48.32	574	736	743	1845																																						
									0.33	II				III	I	36	1.3	45.40	578	736	743	1845																																		
																44	1.6	37.21	590	736	743	1845																																		
																53	1.9	30.58	596	736	743	1845																																		
																0.33	II	III	I	56	2.1	29.10	599	736	743	1845																														
																				60	2.2	27.61	601	736	743	1845																														
																				70	2.7	23.91	603	736	743	1845																														
																				0.33	II	III	I	77	2.8	21.59	605	736	743	1845																										
																								92	3.3	17.87	608	736	743	1845																										
																								96	3.5	17.17	608	736	743	1845																										
																								0.33	II	III	I	113	4.1	14.84	610	736	743	1845																						
																												128	4.6	12.98	610	736	743	1845																						
																												137	5.0	12.16	610	736	743	1845																						
																												0.33	II	III	I	146	5.0	11.41	610	736	743	1845																		
																																166	5.4	10.07	610	736	743	1782																		
																																178	5.7	9.35	610	736	743	1748																		
																																0.33	II	III	I	202	6.2	8.25	585	736	743	1683														
																																				216	5.7	7.68	572	736	743	1652														
																																				240	6.2	6.94	554	736	743	1604														
																																				0.33	II	III	I	262	6.5	6.34	538	736	743	1568										
																																								289	7.0	5.74	520	736	743	1521										
																																								319	7.6	5.21	506	736	743	1483										
																																								0.33	II	III	I	353	8.3	4.71	488	736	743	1442						
																																												408	9.2	4.07	468	707	743	1382						
																																												426	9.1	3.90	461	693	743	1364						
0.33											II	III	I																															493	10.1	3.37	439	655	743	1307						
																																												548	10.1	3.03	425	626	743	1269						
																																												635	10.5	2.62	405	592	743	1215						
	0.33	II	III	I																																								745	10.1	2.23	383	554	743	1159						
																																												862	10.5	1.93	365	522	743	1112						
																																												0.50	II	III	I	4.8	1.1	343.08	1418	2025	2214	5625	SK 773 - 71L/4	90
					5.5	1.1	293.34	1505																																								2025	2268	5625						
					6.1	1.5	269.99	1557																																								2025	2300	5625						
					0.50	II	III	I																																								7.2	1.7	230.85	1618	2025	2338	5567		
									7.8	1.9				212.92	1638																																	2025	2354	5497						
									9.1	2.2				182.05	1672																																	2025	2376	5348						
									0.50	II				III	I																																	12	2.9	140.89	1710	2025	2401	5065		
																17	3.2	98.15	1735																													2025	2417	4689						
																23	5.6	75.95	1746																													2025	2426	4370						
																0.50	II	III	I																													4.8	* 0.8	340.54	869	1721	1557	4500		
																				6.1	1.1	267.99	1132																									1721	1706	4500						
																				7.8	1.4	211.34	1269																									1721	1791	4453						
																				0.50	II	III	I																									8.9	1.6	185.29	1316	1721	1823	4367		
																								11	1.9	146.13	1368																					1721	1856	4237						
																								16	2.8	103.46	1418																					1721	1890	3942						

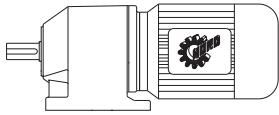
* service factor < 1.0

I	= f _B 0.8 - 1.39
II	= f _B 1.4 - 1.99
III	= f _B ≥ 2.0

1) with F_A = 0 Lb

2) with F_Q = 0 Lb

** Output speeds may be slightly different than shown. For precise speed calculate with the motor speed and the ratio.



HELICAL GEAR MOTORS

THREE PHASE



Power [HP]	Output speed **			Output torque T ₂ [LB-IN]	Service factor f _B	Red. Ratio i _{total}	Normal bearing		Radial HD bearing	Axial HD bearing	Type	Weight approx. Mounting position B3 [LBS]	Dimensions page
	n ₂ [RPM]						F _{QN} ¹⁾ OHL	F _{AN} ²⁾ Thrust	F _{QvL} ¹⁾ OHL	F _{AL} ²⁾ Thrust			
	I	II	III				[LBS]	[LBS]	[LBS]	[LBS]			
0.50			22	1434	3.9	75.38	1440	1721	1904	3686	SK 673 - 71L/4	76	52 / 53
			24	1310	4.2	67.98	1442	1721	1908	3609			
			6.7	* 4708	* 0.8	244.95	1260	1721	2354	3263	SK 573 - 71L/4	58	52 / 53
			7.4	* 4257	* 0.9	218.59	1316	1721	2387	3263			
			8.5	3708	1.1	192.51	1375	1721	2421	3263			
			9.5	3319	1.2	172.96	1411	1721	2444	3263			
		11		2867	1.4	152.33	1445	1721	2466	3263			
		12		2628	1.5	134.32	1463	1721	2475	3263			
		14		2248	1.8	118.30	1485	1721	2475	3263			
			16	1974	2.0	106.70	1499	1721	2475	3263			
			17	1859	2.1	95.90	1503	1721	2475	3263			
			20	1575	2.5	82.08	1514	1721	2475	3263			
			23	1372	2.9	72.18	1521	1721	2475	3263			
			8.5	* 3708	* 0.8	192.51	1517	1721	1868	3263			
			9.5	* 3319	* 0.9	172.96	1557	1721	1886	3263			
			11	2867	1.0	152.33	1595	1721	1906	3263			
			12	2628	1.0	134.32	1613	1721	1915	3263			
			14	2248	1.2	118.30	1638	1721	1928	3263			
			16	1974	1.3	106.70	1654	1721	1937	3263			
		17		1859	1.4	95.90	1658	1721	1940	3263			
		20		1575	1.7	82.08	1672	1721	1946	3263			
		23		1372	1.9	72.18	1679	1721	1951	3263			
			26	1212	2.2	64.10	1685	1721	1953	3263			
			29	1089	2.4	57.96	1672	1721	1955	3263			
			31	1018	2.6	53.42	1643	1721	1958	3263			
			32	982	2.7	50.97	1627	1721	1958	3263			
			37	850	3.1	45.26	1564	1721	1960	3263			
			41	770	3.5	41.03	1519	1721	1960	3263			
			25	1257	2.1	65.56	1179	1832	2475	3263	SK 472 - 71L/4	57	50 / 51
			32	982	2.7	51.70	1190	1832	2475	3263			
			35	903	3.1	46.75	1193	1832	2475	3263			
		13		* 2425	* 0.8	127.40	538	844	1334	1926	SK 373 - 71L/4	37	50 / 51
		17		1859	1.0	98.94	684	844	1476	1931			
		19		1655	1.2	85.47	722	844	1517	1924			
			23	1372	1.4	73.94	765	844	1562	1892			
			25	1257	1.5	66.38	781	844	1577	1881			
			26	1212	1.6	63.29	785	844	1584	1870			
			30	1053	1.9	55.65	801	844	1602	1834			
			34	929	2.1	49.42	797	844	1613	1802			
			38	832	2.3	42.69	776	844	1609	1771			
			44	717	2.7	37.54	749	844	1568	1726			
			50	628	3.1	33.34	727	844	1528	1683			
		32		982	1.6	51.23	788	1193	970	2327			
		37		850	1.6	45.40	799	1193	977	2257			
			42	752	2.4	39.78	806	1193	979	2221			
		47	673	2.6	35.26	810	1193	981	2165				
	20		* 1575	* 0.8	82.89	736	844	1530	1964	SK 273 - 71L/4	37	50 / 51	
	23		* 1372	* 0.9	71.41	765	844	1562	1937				
	26		1212	1.0	61.73	785	844	1584	1908				

* service factor < 1.0

I	= f _B 0.8 - 1.39
II	= f _B 1.4 - 1.99
III	= f _B ≥ 2.0

1) with F_A = 0 Lb

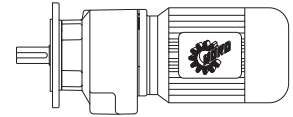
2) with F_Q = 0 Lb

** Output speeds may be slightly different than shown. For precise speed calculate with the motor speed and the ratio.



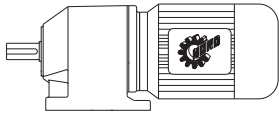
HELICAL GEAR MOTORS

THREE PHASE



Power [HP]	Output speed **			Output torque T ₂ [LB-IN]	Service factor f _B	Red. Ratio i _{total}	Standard bearing		Radial HD bearing	Axial HD bearing	Type	Weight approx. Mounting position B3 [LBS]	Dimen- sions page						
	n ₂ [RPM]						F _{Q N} ¹⁾ OHL	F _{A N} ²⁾ Thrust	F _{Q VL} ¹⁾ OHL	F _{A AL} ²⁾ Thrust									
	I	II	III				[LBS]	[LBS]	[LBS]	[LBS]									
0.50	30	AGMA	III	1053	1.2	53.98	801	844	1602	1872	SK 273 - 71L/4	37	50 / 51						
				903	1.4	47.44	815	844	1616	1827									
				788	1.6	41.78	824	844	1598	1787									
				681	1.8	36.54	826	844	1557	1744									
				611	2.0	32.11	799	844	1517	1703									
				531	2.3	28.34	774	844	1478	1658									
				513	2.4	27.10	767	844	1467	1647									
				443	2.8	23.70	734	844	1418	1593									
				25	AGMA	III	* 1257	* 0.9	64.75	761				1193	1384	2363	SK 272 - 71L/4	36	50 / 51
							1089	1.1	57.38	779				1193	1388	2331			
	982	1.3	51.23				788	1193	1391	2327									
	850	1.5	45.40				799	1193	1393	2257									
	752	1.7	39.78				806	1193	1395	2221									
	673	1.8	35.26				810	1193	1397	2165									
	593	2.1	31.17				815	1193	1397	2111									
	372	3.3	20.06				824	1193	1400	1933									
	34	AGMA	III				* 929	* 0.8	48.32	522	736	743	1845	SK 172 - 71L/4	26	50 / 51			
							* 876	* 0.9	45.40	533	736	743	1845						
				717	1.1	37.21	560	736	743	1845									
				593	1.3	30.58	576	736	743	1845									
				566	1.4	29.10	581	736	743	1845									
				522	1.4	27.61	585	736	743	1845									
				451	1.8	23.91	592	736	743	1845									
				407	1.9	21.59	596	736	743	1845									
				345	2.2	17.87	601	736	743	1845									
				327	2.3	17.17	601	736	743	1845									
	36	AGMA	III	283	2.7	14.84	605	736	743	1845	SK 773 - 80S/4	95	52 / 53						
				248	3.1	12.98	605	736	743	1845									
				230	3.3	12.16	608	736	743	1823									
				212	3.3	11.41	608	736	743	1802									
				186	3.6	10.07	610	736	743	1744									
				177	3.7	9.35	599	736	743	1708									
				159	4.1	8.25	576	736	743	1652									
				142	3.8	7.68	563	736	743	1622									
				133	4.1	6.94	545	736	743	1573									
				124	4.3	6.34	531	736	743	1541									
				106	4.6	5.74	515	736	743	1496									
				97	5.0	5.21	500	736	743	1460									
				89	5.5	4.71	484	709	743	1420									
				77	6.1	4.07	461	675	743	1366									
74				6.0	3.90	457	662	743	1346										
64				6.6	3.37	434	628	743	1294										
58				6.7	3.03	421	601	743	1253										
50				7.0	2.62	401	572	743	1204										
42				6.7	2.23	380	531	743	1148										
36				7.0	1.93	362	506	743	1103										
0.75	AGMA	III	7753	1.0	269.99	1258	2025	2122	5049	SK 773 - 80S/4	95	52 / 53							
			6567	1.2	230.85	1418	2025	2214	5009										
			6062	1.3	212.92	1474	2025	2248	4977										
			5195	1.5	182.05	1555	2025	2300	4905										
			4974	1.5	173.85	1573	2025	2311	4883										
			4301	1.8	148.64	1622	2025	2342	4788										
			3938	1.9	140.89	1645	2025	2358	4734										
						* service factor < 1.0													
			I	= f _B 0.8 - 1.39			1) with F _A = 0 Lb						2) with F _Q = 0 Lb						
			II	= f _B 1.4 - 1.99															
III	= f _B ≥ 2.0																		

** Output speeds may be slightly different than shown. For precise speed calculate with the motor speed and the ratio.



HELICAL GEAR MOTORS

THREE PHASE



Power [HP]	Output speed **			Output torque T ₂ [LB-IN]	Service factor f _B	Red. Ratio i _{total}	Normal bearing		Radial HD bearing	Axial HD bearing	Type	Weight approx. Mounting position B3 [LBS]	Dimensions page			
	n ₂ [RPM]						F _{QN} ¹⁾ OHL	F _{AN} ²⁾ Thrust	F _{QvL} ¹⁾ OHL	F _{AL} ²⁾ Thrust						
	I	II	III				[LBS]	[LBS]	[LBS]	[LBS]						
0.75			14	3381	2.3	115.04	1676	2025	2378	4615	SK 773 - 80S/4	95	52 / 53			
			17	2779	2.1	98.15	1703	2025	2396	4455						
			20	2363	3.2	80.14	1719	2025	2408	4322						
			23	2053	3.7	75.95	1730	2025	2414	4192						
		7.8		* 6062	* 0.9	211.34	979	1721	1618	3886	SK 673 - 80S/4	80	52 / 53			
		8.9		5310	1.0	185.29	1109	1721	1692	3879						
		11		4301	1.3	146.13	1242	1721	1773	3830						
			14	3381	1.7	119.31	1330	1721	1832	3733						
			16	2956	1.9	103.46	1364	1721	1852	3674	SK 672 - 80S/4	80	52 / 53			
			19	2487	2.2	84.47	1393	1721	1872	3575						
			22	2151	2.6	75.38	1411	1721	1886	3490						
			24	1974	2.8	67.98	1418	1721	1890	3429						
			29	1628	3.4	57.30	1433	1721	1899	3305						
			25	1894	2.1	64.18	1546	2138	2324	4500						
			29	1628	2.3	56.90	1557	2138	2329	4500						
		9.5		* 4974	* 0.8	172.96	970	1721	2331	3263				SK 573 - 80S/4	63	52 / 53
		11		* 4301	* 0.9	152.33	1105	1721	2383	3263						
		12		3938	1.0	134.32	1163	1721	2408	3263						
		14		3381	1.2	118.30	1247	1721	2441	3263						
		16		2956	1.3	106.70	1301	1721	2462	3263						
			17	2779	1.4	95.90	1316	1721	2471	3263						
			20	2363	1.7	82.08	1348	1721	2475	3263						
			23	2053	1.9	72.18	1364	1721	2475	3263						
			26	1823	2.2	64.10	1361	1721	2475	3263						
			29	1628	2.4	57.96	1357	1721	2475	3263						
			31	1522	2.6	53.42	1352	1721	2475	3263	SK 572 - 80S/4	61	52 / 53			
			32	1478	2.7	50.97	1346	1721	2475	3263						
			32	1478	2.2	51.70	1379	1721	2475	3375						
		14		* 3381	* 0.8	118.30	1550	1721	1883	3263				SK 473 - 80S/4	63	50 / 51
		16		* 2956	* 0.9	106.70	1589	1721	1904	3263						
		17		2779	1.0	95.90	1602	1721	1910	3263						
		20		2363	1.1	82.08	1616	1721	1926	3263						
		23		2053	1.3	72.18	1607	1721	1935	3263						
			26	1823	1.5	64.10	1595	1721	1942	3263						
			29	1628	1.6	57.96	1575	1721	1946	3263						
			31	1522	1.7	53.42	1562	1721	1949	3263						
			32	1478	1.8	50.97	1555	1721	1949	3263						
			37	1274	2.1	45.26	1505	1721	1953	3263						
			41	1151	2.3	41.03	1465	1721	1955	3249	SK 472 - 80S/4	61	50 / 51			
			46	1027	2.6	37.72	1424	1721	1958	3168						
			52	912	2.7	32.94	1375	1721	1958	3078						
			25	1894	1.4	65.56	1139	1832	2475	3263						
			32	1478	1.8	51.70	1166	1832	2475	3263						
			35	1354	2.1	46.75	1172	1832	2475	3263						
			40	1186	2.2	42.21	1181	1832	2475	3263						
			43	1097	2.6	38.17	1186	1832	2475	3263						
			50	947	3.0	33.11	1190	1832	2475	3263						
		19		* 2487	* 0.8	85.47	518	844	1316	1589				SK 373 - 80S/4	41	50 / 51
		23		* 2053	* 0.9	73.94	644	844	1433	1620						

* service factor < 1.0

I	= f _B 0.8 - 1.39
II	= f _B 1.4 - 1.99
III	= f _B ≥ 2.0

1) with F_A = 0 Lb

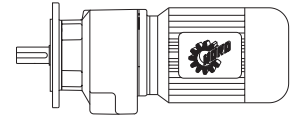
2) with F_Q = 0 Lb

** Output speeds may be slightly different than shown. For precise speed calculate with the motor speed and the ratio.



HELICAL GEAR MOTORS

THREE PHASE



Power [HP]	Output speed ** n ₂ [RPM]			Output torque T ₂ [LB-IN]	Service factor f _B	Red. Ratio i _{total}	Standard bearing		Radial HD bearing ¹⁾	Axial HD bearing ²⁾	Type	Weight approx. Mounting position B3 [LBS]	Dimen- sions page			
	AGMA						F _{Q N} ¹⁾ OHL	F _{A N} ²⁾ Thrust	F _{Q VL} ¹⁾ OHL	F _{A AL} ²⁾ Thrust						
	I	II	III	[LBS]	[LBS]	[LBS]	[LBS]	[LBS]	[LBS]							
0.75	25			1894	1.0	66.38	677	844	1469	1622	SK 373 - 80S/4	41	50 / 51			
	26			1823	1.1	63.29	693	844	1483	1622						
	30			1575	1.2	55.65	736	844	1501	1622						
		34		1389	1.4	49.42	727	844	1485	1616						
		38		1248	1.6	42.69	716	844	1472	1600						
		44		1071	1.8	37.54	698	844	1449	1582						
			50	947	2.1	33.34	682	844	1420	1555						
			60	788	2.5	27.78	657	844	1384	1519						
			68	699	2.8	24.26	637	844	1352	1483						
			74	637	2.9	22.37	628	844	1332	1465						
		32		1478	1.0	51.23	731	1193	941	2059				SK 372 - 80S/4	41	50 / 51
		37		1274	1.1	45.40	758	1193	954	2023						
			42	1124	1.6	39.78	774	1193	963	2023						
			47	1009	1.8	35.26	785	1193	968	1978						
			53	894	2.0	31.17	794	1193	974	1942						
			59	805	2.2	28.59	801	1193	977	1926						
			67	708	2.5	25.28	808	1193	981	1879						
		30		* 1575	* 0.8	53.98	666	844	1508	1667	SK 273 - 80S/4	42	50 / 51			
		35		* 1354	* 0.9	47.44	709	844	1487	1652						
		40		1186	1.0	41.78	734	844	1469	1629						
		46		1027	1.2	36.54	756	844	1442	1604						
			52	912	1.4	32.11	761	844	1418	1580						
			59	805	1.5	28.34	738	844	1388	1550						
			61	779	1.6	27.10	731	844	1384	1541						
			71	664	1.9	23.70	704	844	1346	1508						
			80	593	2.1	20.83	684	844	1314	1469						
		32		* 1478	* 0.8	51.23	731	1193	1377	2059				SK 272 - 80S/4	41	50 / 51
		37		1274	1.0	45.40	758	1193	1384	2023						
		42		1124	1.1	39.78	774	1193	1386	2023						
		47		1009	1.2	35.26	785	1193	1391	1978						
			53	894	1.4	31.17	794	1193	1393	1942						
			59	805	1.5	28.59	801	1193	1395	1926						
			67	708	1.8	25.28	808	1193	1395	1879						
			80	593	2.1	20.96	815	1193	1397	1823						
			84	566	2.2	20.06	817	1193	1397	1827						
			91	522	2.4	18.59	819	1193	1400	1769						
			98	487	2.6	17.17	819	1193	1400	1775						
			112	425	2.9	15.10	817	1193	1400	1726						
			127	372	3.3	13.41	792	1193	1400	1683						
		53		* 894	* 0.9	30.58	335	659	743	1845	SK 172 - 80S/4	31	50 / 51			
		56		* 841	* 0.9	29.10	437	736	743	1845						
		60		788	1.0	27.61	396	686	743	1845						
		70		673	1.2	23.91	497	736	743	1845						
		77		611	1.3	21.59	520	736	743	1845						
			92	513	1.5	17.87	547	736	743	1845						
		96	496	1.5	17.17	587	736	743	1845							
		113	416	1.8	14.84	594	736	743	1832							
		128	372	2.0	12.98	599	736	743	1787							
		137	345	2.2	12.16	601	736	743	1753							
		146	327	2.2	11.41	601	736	743	1733							
		166	283	2.4	10.07	596	736	743	1685							
		178	266	2.5	9.35	583	736	743	1654							
		202	230	2.7	8.25	563	736	743	1607							

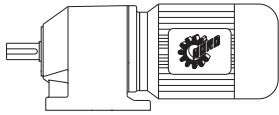
* service factor < 1.0

I	= f _B 0.8 - 1.39
II	= f _B 1.4 - 1.99
III	= f _B ≥ 2.0

1) with F_A = 0 Lb

2) with F_α = 0 Lb

** Output speeds may be slightly different than shown. For precise speed calculate with the motor speed and the ratio.



HELICAL GEAR MOTORS

THREE PHASE



Power [HP]	Output speed **			Output torque T ₂ [LB-IN]	Service factor f _B	Red. Ratio i _{total}	Normal bearing		Radial HD bearing F _Q vL ¹⁾ OHL [LBS]	Axial HD bearing F _A AL ²⁾ Thrust [LBS]	Type	Weight approx. Mounting position B3 [LBS]	Dimensions page		
	n ₂ [RPM]						F _Q N ¹⁾ OHL	F _A N ²⁾ Thrust							
	I	II	III				[LBS]	[LBS]							
0.75			216	221	2.5	7.68	549	736	743	1571	SK 172 - 80S/4	31	50 / 51		
			240	195	2.7	6.94	533	722	743	1532					
			262	177	2.8	6.34	522	725	743	1510					
			289	159	3.1	5.74	504	686	743	1460					
			319	150	3.3	5.21	491	673	743	1429					
			353	133	3.6	4.71	475	655	743	1391					
			408	115	4.0	4.07	455	628	743	1341					
			426	115	4.0	3.90	448	610	743	1319					
			493	97	4.4	3.37	428	590	743	1271					
			548	87	4.5	3.03	414	560	743	1233					
			635	74	4.6	2.62	396	538	743	1184					
			745	64	4.5	2.23	376	502	743	1130					
			862	55	4.6	1.93	358	479	743	1087					
	1.00	7.8		* 8080	* 0.9	212.92	1206	2025	2093	4462				SK 773 - 80L/4 SK 773 - 80LH/4	99
9.1			6930	1.1	182.05	1375	2025	2189	4462						
9.5			6638	1.2	173.85	1411	2025	2210	4455	SK 772 - 80L/4 SK 772 - 80LH/4	96	52 / 53			
11			5735	1.3	148.64	1505	2025	2268	4419						
		12	5257	1.5	140.89	1550	2025	2295	4392						
		14	4505	1.7	115.04	1609	2025	2333	4322						
		17	3708	1.6	98.15	1658	2025	2367	4219						
		20	3151	2.4	80.14	1688	2025	2385	4118						
		23	2744	2.8	75.95	1706	2025	2396	4021						
		25	2522	3.0	68.49	1703	2025	2403	3956						
		26	2425	3.2	64.94	1688	2025	2405	3931						
		26	2425	1.7	62.32	1870	2813	2797	5002						
		28	2248	1.7	59.53	1877	2813	2801	4946						
11			5735	1.0	146.13	1040	1721	1652	3429				SK 673 - 80L/4 SK 673 - 80LH/4	85	52 / 53
14			4505	1.2	119.31	1220	1721	1760	3422						
		16	3938	1.4	103.46	1280	1721	1798	3395						
		19	3319	1.7	84.47	1337	1721	1834	3341						
		22	2867	1.9	75.38	1368	1721	1856	3283						
		24	2628	2.1	67.98	1384	1721	1868	3251						
		29	2177	2.6	57.30	1409	1721	1883	3155						
		32	1974	2.8	52.12	1418	1721	1890	3098						
		36	1752	3.2	47.00	1429	1721	1897	3031						
		25	2522	1.6	64.18	1510	2138	2306	4500						
		29	2177	1.7	56.90	1530	2138	2318	4435						
		32	1974	2.1	52.03	1541	2138	2322	4385						
		36	1752	2.6	46.13	1553	2138	2327	4273						
12			* 5257	* 0.8	134.32	623	1721	2309	3263	SK 573 - 80L/4 SK 573 - 80LH/4	67	52 / 53			
14			* 4505	* 0.9	118.30	799	1721	2369	3263						
16			3938	1.0	106.70	914	1721	2408	3263						
17			3708	1.1	95.90	956	1721	2421	3263						
20			3151	1.3	82.08	1051	1721	2453	3263						
		23	2744	1.5	72.18	1105	1721	2471	3263						
	26	2425	1.6	64.10	1136	1721	2475	3263							
	29	2177	1.8	57.96	1157	1721	2475	3263							
	31	2036	2.0	53.42	1172	1721	2475	3263							
	32	1974	2.0	50.97	1175	1721	2475	3263							
	37	1708	2.3	45.26	1175	1721	2475	3220							
	41	1540	2.6	41.03	1177	1721	2475	3152							
	46	1372	2.9	37.72	1172	1721	2475	3087							

* service factor < 1.0

Gearmotors in Italics include an Energy Efficient Motor and have a "H" in the type

I	= f _B 0.8 - 1.39
II	= f _B 1.4 - 1.99
III	= f _B ≥ 2.0

1) with F_A = 0 Lb

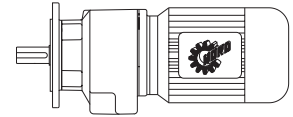
2) with F_Q = 0 Lb

** Output speeds may be slightly different than shown. For precise speed calculate with the motor speed and the ratio.



HELICAL GEAR MOTORS

THREE PHASE



Power [HP]	Output speed **			Output torque T ₂ [LB-IN]	Service factor f _B	Red. Ratio i _{total}	Standard bearing		Radial HD bearing	Axial HD bearing	Type	Weight approx. Mounting position B3 [LBS]	Dimensions page																																								
	n ₂ [RPM]						F _{Q N} ¹⁾ OHL	F _{A N} ²⁾ Thrust	F _{Q VL} ¹⁾ OHL	F _{A AL} ²⁾ Thrust																																											
	I	II	III				[LBS]	[LBS]	[LBS]	[LBS]																																											
1.00	32	35	40	1974	1.7	51.70	1316	1721	2475	3375	SK 572 - 80L/4 <i>SK 572 - 80LH/4</i>	66	52 / 53																																								
				1805	1.8	46.75	1283	1721	2475	3375																																											
				1575	2.1	42.21	1253	1721	2475	3375																																											
				1469	2.2	38.17	1226	1721	2475	3375																																											
	20	23	26	29	31	32	37	41	46	52	59	66	73	* 3151	* 0.8	82.08	1350	1721	1895	3263	SK 473 - 80L/4 <i>SK 473 - 80LH/4</i>	67	50 / 51																														
																								2744	1.0	72.18	1377	1721	1910	3263																							
																								2425	1.1	64.10	1397	1721	1924	3263																							
																								2177	1.2	57.96	1395	1721	1931	3263																							
																								2036	1.3	53.42	1395	1721	1935	3256																							
																								1974	1.3	50.97	1395	1721	1937	3240																							
																								1708	1.6	45.26	1388	1721	1944	3168																							
																								1540	1.7	41.03	1375	1721	1949	3112																							
																								1372	1.9	37.72	1359	1721	1951	3042																							
																								1212	2.0	32.94	1334	1721	1953	2975																							
																								1071	2.2	29.01	1292	1721	1955	2896																							
																								956	2.3	25.60	1253	1721	1958	2826																							
																								867	2.5	23.10	1220	1721	1960	2763																							
																								32	35	40	43	50	58	1974	1805	1575	1469	1257	1089	1974	1805	1575	1469	1132	1832	2475	3263	SK 472 - 80L/4 <i>SK 472 - 80LH/4</i>	66	50 / 51							
																																															1805	1.6	46.75	1145	1832	2475	3263
																																															1575	1.7	42.21	1161	1832	2475	3263
	1469	1.9	38.17	1166	1832	2475	3263																																														
	1257	2.2	33.11	1179	1832	2475	3263																																														
	1089	2.4	28.83	1186	1832	2475	3263																																														
	25	26	30	34	38	44	50	60	68	74	104	* 2522	* 0.8	66.38	504	844	1292	1373	SK 373 - 80L/4 <i>SK 373 - 80LH/4</i>	46	50 / 51																																
																						* 2425	* 0.8																								63.29	538	844	1298	1386		
																						* 2097	* 0.9	55.65	632	844	1325	1415																									
																						1859	1.0	49.42	653	844	1328	1429																									
																						1655	1.2	42.69	653	844	1332	1436																									
																						1434	1.4	37.54	644	844	1325	1433																									
																						1257	1.5	33.34	635	844	1319	1429																									
																						1053	1.9	27.78	617	844	1294	1409																									
																						929	2.1	24.26	603	844	1276	1391																									
																						850	2.2	22.37	594	844	1260	1379																									
																						611	2.9	16.28	554	844	1190	1310																									
																						42	47	53	59	67	80	84	91	98	1505	1345	1186	1071	938	788	752	690	646	632	1193	938	1823	SK 372 - 80L/4 <i>SK 372 - 80LH/4</i>	45	50 / 51							
	1345	1.3	35.26	664	1193	950	1793																																														
	1186	1.5	31.17	716	1193	959	1775																																														
	1071	1.7	28.59	779	1193	965	1778																																														
	938	1.9	25.28	792	1193	972	1748																																														
	788	2.2	20.96	803	1193	979	1708																																														
752	2.4	20.06	806	1193	979	1733																																															
690	2.6	18.59	810	1193	981	1665																																															
646	2.8	17.17	812	1193	983	1688																																															
40	46	52	59	61	71	80	* 1575	* 0.8	41.78	527	844	1341	1476	SK 273 - 80L/4 <i>SK 273 - 80LH/4</i>	46	50 / 51																																					
																	* 1372	* 0.9	36.54	572	844																										1330	1469					
																	1212	1.0	32.11	610	844																										1319	1463					
																	1071	1.2	28.34	630	844	1301	1445																														
																	1035	1.2	27.10	637	844	1296	1440																														
																	885	1.4	23.70	655	844	1271	1418																														
																	788	1.6	20.83	659	844	1251	1393																														

* service factor < 1.0

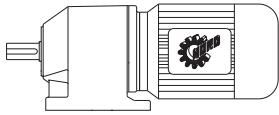
Gearmotors in Italics include an Energy Efficient Motor and have a "H" in the type

I	II	III	= f _B 0.8 - 1.39
			= f _B 1.4 - 1.99
			= f _B ≥ 2.0

1) with F_A = 0 Lb

2) with F_Q = 0 Lb

** Output speeds may be slightly different than shown. For precise speed calculate with the motor speed and the ratio.



HELICAL GEAR MOTORS

THREE PHASE



Power [HP]	Output speed **			Output torque T ₂ [LB-IN]	Service factor f _B	Red. Ratio i _{total}	Normal bearing		Radial HD bearing	Axial HD bearing	Type	Weight approx. Mounting position B3 [LBS]	Dimensions page	
	n ₂ [RPM]						F _{Q N} ¹⁾ OHL	F _{A N} ²⁾ Thrust	F _{Q vL} ¹⁾ OHL	F _{A AL} ²⁾ Thrust				
	I	II	III				[LBS]	[LBS]	[LBS]	[LBS]				
1.00	42 47 53 59 67	80 84 91 98	112 127 143 152 172 196 222	* 1505	* 0.8	39.78	565	1145	1375	1823	SK 272 - 80L/4 <i>SK 272 - 80LH/4</i>	45	50 / 51	
				* 1345	* 0.9	35.26	605	1157	1382	1793				
				1186	1.0	31.17	666	1179	1386	1775				
				1071	1.2	28.59	749	1193	1388	1778				
				938	1.3	25.28	785	1193	1391	1748				
				788	1.6	20.96	803	1193	1395	1708				
				752	1.7	20.06	806	1193	1395	1733				
				690	1.8	18.59	810	1193	1397	1665				
				646	1.9	17.17	812	1193	1397	1688				
				566	2.2	15.10	792	1193	1397	1652				
	496	2.5	13.41	767	1193	1400	1618							
	443	2.8	11.88	743	1193	1400	1571							
	416	3.0	11.17	731	1193	1400	1562							
	363	3.4	9.90	707	1168	1400	1519							
	319	3.6	8.65	682	1134	1402	1476							
	283	3.6	7.64	657	1087	1402	1431							
	70	128 137 146 166 178	202 216	240 262 289 319 353 408 426 493 548 635 745 862	* 903	* 0.9	23.91	180	470	743	1818	SK 172 - 80L/4 <i>SK 172 - 80LH/4</i>	35	50 / 51
	* 823				* 0.9	21.59	223	491	743	1791				
	681				1.1	17.87	304	531	743	1748				
	655				1.1	17.17	450	653	743	1793				
	558				1.3	14.84	504	680	743	1748				
	496				1.5	12.98	531	686	743	1708				
	460				1.6	12.16	531	680	743	1681				
	434				1.7	11.41	556	693	743	1667				
	381				1.8	10.07	574	693	743	1629				
	354				1.9	9.35	567	680	743	1600				
	310	2.0	8.25	549	675	743	1557							
	292	1.9	7.68	536	650	743	1523							
	266	2.1	6.94	520	635	743	1487							
	239	2.1	6.34	511	653	743	1474							
	221	2.3	5.74	491	608	743	1418							
	195	2.5	5.21	482	619	743	1400							
	177	2.7	4.71	468	601	743	1361							
	150	3.0	4.07	450	590	743	1316							
	150	3.0	3.90	441	565	743	1294							
	124	3.3	3.37	423	554	743	1253							
	115	3.3	3.03	407	527	743	1213							
	97	3.5	2.62	392	506	743	1168							
	85	3.3	2.23	371	470	743	1112							
	73	3.5	1.93	353	452	743	1071							
1.50	4.4	5.2 6.4 7.3 8.2 10 12 14 17 18 20 26 31	21497 18187 14780 12956 11532 9461 7885 6753 5567 5257 4726 3637 3053	1.3	370.96	3296	5850	6703	9000	SK 973 - 90S/4 <i>SK 973 - 90SH/4</i>	276	54 / 55		
				1.6	323.96	3524	5850	6955	9000					
				1.9	267.31	3708	5850	7162	9000					
				2.2	233.44	3789	5850	7254	9000					
				2.2	203.02	3843	5850	7315	9000					
				3.0	169.33	3908	5850	7394	9000					
				3.6	146.30	3951	5850	7441	9000					
				4.2	124.17	3976	5850	7470	9000					
				4.2	105.37	3996	5850	7495	9000					
				4.1	95.04	4001	5850	7502	9000					
				4.0	83.00	4010	5850	7511	9000					
				5.6	67.05	4579	5015	6239	9000					
				6.1	56.59	4583	4811	6244	9000					

* service factor < 1.0

Gearmotors in Italics include an Energy Efficient Motor and have a "H" in the type

I	= f _B 0.8 - 1.39
II	= f _B 1.4 - 1.99
III	= f _B ≥ 2.0

1) with F_A = 0 Lb

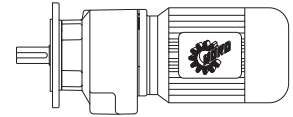
2) with F_Q = 0 Lb

** Output speeds may be slightly different than shown. For precise speed calculate with the motor speed and the ratio.



HELICAL GEAR MOTORS

THREE PHASE



Power [HP]	Output speed **			Output torque T ₂ [LB-IN]	Service factor f _B	Red. Ratio i _{total}	Standard bearing		Radial HD bearing	Axial HD bearing	Type	Weight approx. Mounting position B3 [LBS]	Dimensions page				
	n ₂ [RPM]						F _{Q N} ¹⁾ OHL	F _{A N} ²⁾ Thrust	F _{Q VL} ¹⁾ OHL	F _{A AL} ²⁾ Thrust							
	I	II	III				[LBS]	[LBS]	[LBS]	[LBS]							
1.50	7.6	9.8	12	12443	1.2	208.67	1982	4275	4457	7875	SK 873 - 90S/4 SK 873 - 90SH/4	178	54 / 55				
				9647	1.5	168.45	2194	4275	4700	7875							
				7885	1.9	145.57	2291	4275	4815	7875							
		13	14	7275	1.7	125.39	2320	4275	4851	7875							
				6753	2.2	117.51	2342	4275	4878	7875							
				5567	2.7	97.74	2387	4275	4930	7875							
		17	19	4974	3.0	88.16	2405	4275	4955	7875							
				23	4115	3.6	76.27	2428	4275	4982				7875			
				24	3938	3.7	70.89	2432	4275	4986				7875			
		28	31	3381	4.0	63.95	2446	4275	5002	7875							
				31	3053	4.0	55.32	2450	4275	5009				7875			
				35	2699	4.2	49.43	2457	4275	5015				7875			
	32	38	2956	4.2	52.79	3386	2849	5067	6750	SK 872 - 90S/4 SK 872 - 90SH/4	175	54 / 55					
			2487	4.4	45.81	3393	2743	5072	6723								
			42	2248	4.3	40.78	3395	2682	5072				6552				
	9.5	11	14	* 9956	* 0.8	173.85	774	2025	1892	3605	SK 773 - 90S/4 SK 773 - 90SH/4	104	52 / 53				
				* 8593	* 0.9	148.64	1112	2025	2043	3688							
				6753	1.1	115.04	1395	2025	2201	3746							
				4726	1.6	80.14	1593	2025	2322	3710							
				4115	1.9	75.95	1609	2025	2349	3670							
				3779	2.0	68.49	1589	2025	2363	3634							
				3637	2.1	64.94	1575	2025	2369	3616							
				3151	2.4	57.73	1530	2025	2385	3560							
				2699	2.8	49.36	1483	2025	2399	3470							
				2310	3.3	42.60	1429	2025	2408	3375							
				32	2956	1.7	51.09	1847	2813	2786				4478	SK 772 - 90S/4 SK 772 - 90SH/4	100	52 / 53
				34	2779	1.7	48.81	1856	2813	2790				4442			
	38	2487	1.7	43.45	1868	2813	2797	4336									
	43	2204	2.0	38.29	1879	2813	2801	4205									
		* 6753	* 0.8	119.31	821	1721	1535	2792	SK 673 - 90S/4 SK 673 - 90SH/4	89	52 / 53						
		4974	1.1	84.47	1159	1721	1721	2878									
	4301	1.3	75.38	1242	1721	1773	2882										
	24	29	3938	1.4	67.98	1280	1721	1798	2878								
			3257	1.7	57.30	1341	1721	1838	2851								
			32	2956	1.9	52.12	1364	1721	1852	2824							
	36	43	2628	2.1	47.00	1370	1721	1868	2792								
			2204	2.5	39.62	1316	1721	1883	2723								
			32	2956	1.4	52.03	1481	2014	2293	4007	SK 672 - 90S/4 SK 672 - 90SH/4	89	52 / 53				
	36	2628	1.8	46.13	1503	2009	2304	3926									
	42	2248	1.8	40.13	1528	2021	2315	3845									
46	52	2053	2.5	37.02	1537	2063	2320	3825									
		1823	2.6	32.82	1548	2023	2327	3724									
		* 4726	* 0.8	82.08	394	1721	2351	2995	SK 573 - 90S/4 SK 573 - 90SH/4	71	52 / 53						
4115	1.0	72.18	551	1721	2396	3008											
3637	1.1	64.10	659	1721	2426	3004											
3257	1.2	57.96	738	1721	2448	2995											
31	3053	1.3	53.42	779	1721	2457	2979										
32	2956	1.3	50.97	792	1721	2462	2975										
37	2558	1.6	45.26	857	1721	2475	2939										

* service factor < 1.0

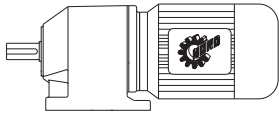
Gearmotors in Italics include an Energy Efficient Motor and have a "H" in the type

I	= f _B 0.8 - 1.39
II	= f _B 1.4 - 1.99
III	= f _B ≥ 2.0

1) with F_A = 0 Lb

2) with F_a = 0 Lb

** Output speeds may be slightly different than shown. For precise speed calculate with the motor speed and the ratio.



HELICAL GEAR MOTORS

THREE PHASE



Power [HP]	Output speed **			Output torque T ₂ [LB-IN]	Service factor f _B	Red. Ratio i _{total}	Normal bearing		Radial HD	Axial HD	Type	Weight approx. Mounting position B3 [LBS]	Dimen- sions page	
	n ₂ [RPM]						F _{QN} ¹⁾	F _{AN} ²⁾	bearing	bearing				
	I	II	III				OHL	Thrust	F _{Q vL} ¹⁾	F _{AL} ²⁾				
1.50	AGMA						[LBS]	[LBS]	[LBS]	[LBS]				
		41		2310	1.7	41.03	891	1721	2475	2905	SK 573 - 90S/4 SK 573 - 90SH/4	71	52 / 53	
		46		2053	1.9	37.72	923	1721	2475	2858				
			52	1823	2.2	32.94	943	1721	2432	2808				
			59	1602	2.5	29.01	959	1721	2390	2750				
			66	1434	2.8	25.60	963	1721	2336	2698				
		40		2363	1.4	42.21	1152	1721	2475	3375	SK 572 - 90S/4 SK 572 - 90SH/4	70	52 / 53	
		43		2204	1.5	38.17	1130	1721	2475	3375				
		50		1894	1.9	33.11	1100	1721	2475	3375				
			58	1628	2.0	28.83	1062	1721	2475	3375				
			64	1478	2.7	26.70	1049	1721	2475	3375				
		29		* 3257	* 0.8	57.96	1019	1721	1890	2909	SK 473 - 90S/4 SK 473 - 90SH/4	71	50 / 51	
		31		* 3053	* 0.9	53.42	1042	1721	1899	2905				
		32		* 2956	* 0.9	50.97	1058	1721	1904	2905				
		37		2558	1.0	45.26	1100	1721	1919	2867				
		41		2310	1.2	41.03	1116	1721	1926	2840				
		46		2053	1.3	37.72	1132	1721	1935	2804				
			52	1823	1.4	32.94	1141	1721	1942	2763				
			59	1602	1.5	29.01	1141	1721	1946	2711				
			66	1434	1.5	25.60	1134	1721	1951	2660				
			73	1292	1.6	23.10	1125	1721	1953	2617				
			83	1142	1.8	20.90	1114	1721	1955	2552				
		40		2363	1.1	42.21	1096	1832	2475	3263	SK 472 - 90S/4 SK 472 - 90SH/4	70	50 / 51	
		43		2204	1.3	38.17	1112	1832	2475	3263				
			50	1894	1.5	33.11	1139	1832	2475	3263				
			58	1628	1.6	28.83	1157	1832	2475	3263				
			64	1478	1.9	26.70	1166	1832	2475	3263				
			73	1292	2.2	23.16	1177	1832	2475	3263				
			86	1097	2.6	20.17	1186	1832	2475	3263				
			92	1027	2.6	18.44	1177	1832	2475	3263				
			102	929	2.8	16.63	1145	1832	2475	3263				
		38		* 2487	* 0.8	42.69	502	844	1046	1103	SK 373 - 90S/4 SK 373 - 90SH/4	50	50 / 51	
		44		* 2151	* 0.9	37.54	527	844	1085	1148				
		50		1894	1.0	33.34	531	844	1100	1175				
		60		1575	1.2	27.78	533	844	1116	1202				
			68	1389	1.4	24.26	531	844	1118	1206				
			74	1274	1.5	22.37	529	844	1118	1208				
			104	912	1.9	16.28	509	844	1091	1190				
		59		1602	1.1	28.59	236	718	929	1487	SK 372 - 90S/4 SK 372 - 90SH/4	49	50 / 51	
		67		1407	1.3	25.28	324	770	945	1487				
		80	1186	1.5	20.96	434	826	959	1478					
		84	1124	1.6	20.06	572	945	963	1532					
		91	1035	1.7	18.59	482	835	968	1456					
		98	965	1.8	17.17	644	983	970	1519					
		112	841	2.0	15.10	695	1004	977	1503					
		127	743	2.3	13.41	729	1013	979	1487					
		143	664	2.5	11.88	711	992	983	1449					
		152	620	2.4	11.17	707	1013	983	1451					
		172	549	2.7	9.90	682	988	986	1415					
		196	487	3.1	8.65	659	974	988	1386					

* service factor < 1.0

Gearmotors in Italics include an Energy Efficient Motor and have a "H" in the type

I	= f _B 0.8 - 1.39
II	= f _B 1.4 - 1.99
III	= f _B ≥ 2.0

1) with F_A = 0 Lb

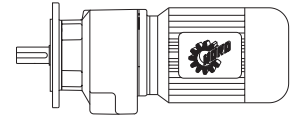
2) with F_Q = 0 Lb

** Output speeds may be slightly different than shown. For precise speed calculate with the motor speed and the ratio.



HELICAL GEAR MOTORS

THREE PHASE



Power [HP]	Output speed **			Output torque T ₂ [LB-IN]	Service factor f _B	Red. Ratio i _{total}	Standard bearing		Radial HD bearing ¹⁾	Axial HD bearing ²⁾	Type	Weight approx. Mounting position B3 [LBS]	Dimensions page
	n ₂ [RPM]						F _{Q N} ¹⁾	F _{A N} ²⁾	F _{Q VL} ¹⁾	F _{A AL} ²⁾			
	I	II	III				[LBS]	[LBS]	[LBS]	[LBS]			
1.50			222	425	3.3	7.64	637	954	988	1350	SK 372 - 90S/4 SK 372 - 90SH/4	49	50 / 51
			251	381	3.4	6.75	619	927	990	1319			
			59	* 1602	* 0.8	28.59	164	668	1373	1487	SK 272 - 90S/4 SK 272 - 90SH/4	49	50 / 51
			67	* 1407	* 0.9	25.28	263	718	1379	1487			
			80	1186	1.0	20.96	380	785	1386	1478			
			84	1124	1.1	20.06	520	905	1386	1532			
			91	1035	1.2	18.59	430	801	1388	1456			
			98	965	1.3	17.17	601	954	1391	1519			
		112		841	1.5	15.10	659	977	1393	1503			
		127		743	1.7	13.41	700	992	1395	1487			
		143		664	1.9	11.88	695	965	1397	1449			
			152	620	2.0	11.17	691	992	1397	1451			
			172	549	2.3	9.90	668	974	1397	1415			
			196	487	2.6	8.65	650	954	1400	1386			
			222	425	2.9	7.64	628	936	1400	1350			
			251	381	3.3	6.75	610	916	1400	1319			
			266	354	3.4	6.34	601	905	1400	1305			
			301	319	3.4	5.62	576	862	1402	1260			
			341	274	3.5	4.96	560	853	1402	1233			
			371	257	3.7	4.57	549	844	1402	1215			
		146		646	1.1	11.41	297	457	743	1541	SK 172 - 90S/4 SK 172 - 90SH/4	40	50 / 51
		166		566	1.2	10.07	349	486	743	1519			
		178		531	1.2	9.35	347	479	743	1487			
			202	469	1.4	8.25	385	495	743	1458			
		216		434	1.3	7.68	380	486	743	1433			
			240	398	1.4	6.94	383	475	743	1400			
			262	363	1.4	6.34	437	515	743	1393			
			289	327	1.5	5.74	405	475	743	1343			
			319	292	1.7	5.21	450	506	743	1337			
			353	266	1.8	4.71	448	495	743	1305			
			408	230	2.0	4.07	434	491	743	1265			
			426	221	2.0	3.90	425	479	743	1244			
			493	195	2.2	3.37	410	468	743	1204			
		548	177	2.4	3.03	394	443	743	1166				
		635	150	2.8	2.62	380	439	743	1130				
		745	124	3.2	2.23	360	416	743	1080				
		862	106	3.3	1.93	347	407	743	1044				
2.00	4.4		28656	1.0	370.96	2570	5850	5965	9000	SK 973 - 90L/4 SK 973 - 90LH/4	284	54 / 55	
	5.2		24249	1.2	323.96	3060	5850	6455	9000				
		6.4		19700	1.4	267.31	3427	5850	6847	9000			
		7.3		17275	1.6	233.44	3578	5850	7016	9000			
		8.2		15381	1.7	203.02	3679	5850	7128	9000			
		10		12611	2.2	169.33	3803	5850	7270	9000			
		12		10505	2.7	146.30	3877	5850	7355	9000			
		14		9009	3.1	124.17	3922	5850	7407	9000			
		17		7416	3.2	105.37	3960	5850	7454	9000			
		18		7009	3.1	95.04	3969	5850	7463	9000			
		20		6301	3.0	83.00	3983	5850	7479	9000			
			26	4850	4.2	67.05	4568	4835	6235	9000	SK 972 - 90L/4 SK 972 - 90LH/4	286	54 / 55
			31	4071	4.6	56.59	4574	4653	6239	9000			
		7.6		* 16594	* 0.9	208.67	1485	4275	3944	7875	SK 873 - 90L/4 SK 873 - 90LH/4	186	54 / 55

* service factor < 1.0

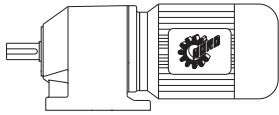
Gearmotors in Italics include an Energy Efficient Motor and have a "H" in the type

I	= f _B 0.8 - 1.39
II	= f _B 1.4 - 1.99
III	= f _B ≥ 2.0

1) with F_A = 0 Lb

2) with F_a = 0 Lb

** Output speeds may be slightly different than shown. For precise speed calculate with the motor speed and the ratio.



HELICAL GEAR MOTORS

THREE PHASE

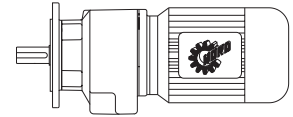


Power [HP]	Output speed **			Output torque T ₂ [LB-IN]	Service factor f _B	Red. Ratio i _{total}	Normal bearing		Radial HD	Axial HD	Type	Weight approx. Mounting position B3 [LBS]	Dimen- sions page			
	n ₂ [RPM]						F _{QN} ¹⁾	F _{AN} ²⁾	bearing	bearing						
	I	II	III				OHL	Thrust	F _{Q vL} ¹⁾	F _{A AL} ²⁾						
2.00	9.8			12868	1.2	168.45	1942	4275	4415	7875	SK 873 - 90L/4 SK 873 - 90LH/4	186	54 / 55			
		12		10505	1.4	145.57	2135	4275	4633	7875						
	13			9700	1.3	125.39	2189	4275	4696	7875						
		14		9009	1.7	117.51	2232	4275	4745	7875						
			17	7416	2.0	97.74	2313	4275	4842	7875						
			19	6638	2.2	88.16	2347	4275	4883	7875						
			23	5487	2.7	76.27	2390	4275	4934	7875						
			24	5257	2.8	70.89	2396	4275	4943	7875						
			28	4505	3.0	63.95	2419	4275	4970	7875						
			31	4071	3.0	55.32	2430	4275	4984	7875						
			35	3602	3.1	49.43	2441	4275	4995	7875						
			43	2929	3.1	39.91	2453	4275	5011	7875						
			32	3938	3.2	52.79	3371	2669	5060	6746	SK 872 - 90L/4 SK 872 - 90LH/4	183	54 / 55			
			38	3319	3.3	45.81	3382	2588	5065	6491						
			42	3000	3.2	40.78	3386	2534	5067	6347						
		14		* 9009	* 0.8	115.04	1026	2025	2000	3170	SK 773 - 90L/4 SK 773 - 90LH/4	112	52 / 53			
		20		6301	1.2	80.14	1449	2025	2232	3317						
			23	5487	1.4	75.95	1472	2025	2284	3317						
			25	5045	1.5	68.49	1463	2025	2306	3317						
			26	4850	1.6	64.94	1460	2025	2318	3317						
			30	4204	1.8	57.73	1431	2025	2347	3285						
			35	3602	2.1	49.36	1395	2025	2369	3238						
			41	3080	2.5	42.60	1357	2025	2387	3186						
			47	2682	2.7	36.79	1321	2025	2399	3121						
		32		3938	1.3	51.09	1793	2727	2759	4165				SK 772 - 90L/4 SK 772 - 90LH/4	109	52 / 53
		34		3708	1.3	48.81	1807	2759	2765	4158						
		38		3319	1.3	43.45	1829	2727	2777	4066						
			43	2929	1.5	38.29	1850	2653	2788	3958						
			49	2575	2.8	35.64	1865	2759	2795	3958						
			50	2522	2.7	34.05	1868	2759	2797	3944						
		19		* 6638	* 0.8	84.47	673	1721	1550	2421	SK 673 - 90L/4 SK 673 - 90LH/4	98	52 / 53			
		22		5735	1.0	75.38	902	1721	1652	2484						
		24		5257	1.1	67.98	1010	1721	1697	2511						
		29		4345	1.3	57.30	1190	1721	1771	2549						
			32	3938	1.4	52.12	1269	1721	1798	2549						
			36	3505	1.6	47.00	1280	1721	1825	2549						
			43	2929	1.9	39.62	1244	1721	1854	2525						
			59	2142	2.6	29.53	1170	1721	1886	2437						
			62	2036	2.7	28.05	1157	1721	1888	2421						
		32		3938	1.0	52.03	1391	1537	2250	3634				SK 672 - 90L/4 SK 672 - 90LH/4	98	52 / 53
	36		3505	1.3	46.13	1436	1559	2270	3578							
		42	3000	1.4	40.13	1478	1643	2291	3548							
		46	2744	1.8	37.02	1496	1726	2300	3560							
		52	2425	2.0	32.82	1503	1726	2311	3485							
		59	2142	2.3	28.55	1460	1735	2318	3431							
	26		* 4850	* 0.8	64.10	126	1721	2320	2612	SK 573 - 90L/4 SK 573 - 90LH/4	80	52 / 53				
	29		* 4345	* 0.9	57.96	275	1721	2336	2642							
	31		4071	1.0	53.42	349	1721	2336	2651							
	32		3938	1.0	50.97	383	1721	2340	2655							
	37		3407	1.2	45.26	513	1721	2336	2660							
			* service factor < 1.0								<i>Gearmotors in Italics include an Energy Efficient Motor and have a "H" in the type</i>					
	I		= f _B 0.8 - 1.39				1) with F _A = 0 Lb				2) with F _Q = 0 Lb					
		II	= f _B 1.4 - 1.99													
		III	= f _B ≥ 2.0													
													** Output speeds may be slightly different than shown. For precise speed calculate with the motor speed and the ratio.			



HELICAL GEAR MOTORS

THREE PHASE



Power [HP]	Output speed **			Output torque T ₂ [LB-IN]	Service factor f _B	Red. Ratio i _{total}	Standard bearing		Radial HD bearing	Axial HD bearing	Type	Weight approx. Mounting position B3 [LBS]	Dimensions page			
	n ₂ [RPM]						F _{Q N} ¹⁾ OHL	F _{A N} ²⁾ Thrust	F _{Q VL} ¹⁾ OHL	F _{A AL} ²⁾ Thrust						
	I	II	III				[LBS]	[LBS]	[LBS]	[LBS]						
2.00	41	AGMA	III	3080	1.3	41.03	585	1721	2322	2651	SK 573 - 90L/4 <i>SK 573 - 90LH/4</i>	80	52 / 53			
				2744	1.5	37.72	653	1721	2304	2637						
				2425	1.6	32.94	709	1721	2279	2612						
				2142	1.9	29.01	754	1721	2243	2576						
				1912	2.1	25.60	783	1721	2214	2547						
				1726	2.3	23.10	806	1721	2178	2511						
				1522	2.6	20.90	819	1721	2138	2459						
				1372	2.9	18.86	828	1721	2095	2419						
				3151	1.0	42.21	783	1539	2475	3375				SK 572 - 90L/4 <i>SK 572 - 90LH/4</i>	79	52 / 53
				2929	1.1	38.17	806	1539	2475	3375						
	2522	1.4	33.11	954	1618	2475	3375									
	2177	1.5	28.83	986	1640	2475	3375									
	1974	2.0	26.70	981	1721	2475	3375									
	1726	2.3	23.16	961	1721	2475	3375									
	1469	2.7	20.17	927	1721	2475	3375									
	1372	2.5	18.44	927	1721	2475	3375									
	3407	0.8	45.26	792	1721	1881	2572	SK 473 - 90L/4 <i>SK 473 - 90LH/4</i>	80	50 / 51						
	3080	0.9	41.03	842	1721	1897	2572									
	2744	1.0	37.72	891	1721	1910	2572									
	2425	1.0	32.94	932	1721	1924	2547									
	2142	1.1	29.01	961	1721	1933	2522									
	1912	1.2	25.60	977	1721	1940	2495									
	1726	1.2	23.10	983	1721	1944	2471									
	1522	1.3	20.90	988	1721	1924	2419									
	3151	0.8	42.21	754	1467	2475	3263				SK 472 - 90L/4 <i>SK 472 - 90LH/4</i>	79	50 / 51			
	2929	1.0	38.17	783	1451	2475	3263									
	2522	1.1	33.11	977	1544	2475	3263									
	2177	1.2	28.83	1080	1573	2475	3263									
	1974	1.4	26.70	1132	1679	2475	3263									
	1726	1.6	23.16	1150	1708	2475	3263									
	1469	1.9	20.17	1121	1692	2475	3263									
	1372	1.9	18.44	1123	1764	2475	3263									
	1239	2.1	16.63	1098	1760	2475	3263									
	1115	2.3	15.04	1071	1710	2475	3263									
	1018	2.4	14.02	1053	1724	2475	3263									
	920	2.6	12.68	1024	1672	2475	3263									
	761	2.9	10.45	979	1640	2475	3263									
	2522	0.8	33.34	320	702	882	925	SK 373 - 90L/4 <i>SK 373 - 90LH/4</i>	59	50 / 51						
	2097	0.9	27.78	446	770	938	992									
	1859	1.0	24.26	452	792	959	1017									
1708	1.1	22.37	459	803	974	1035										
1212	1.5	16.28	461	826	988	1067										
2142	0.8	28.59	77	290	878	1190	SK 372 - 90L/4 <i>SK 372 - 90LH/4</i>	58	50 / 51							
1885	0.9	25.28	104	382	905	1215										
1575	1.1	20.96	137	437	932	1253										
1505	1.2	20.06	173	574	938	1330										
1389	1.3	18.59	188	459	945	1244										
1283	1.4	17.17	322	668	952	1348										
1124	1.5	15.10	412	731	963	1357										
991	1.7	13.41	484	770	970	1350										

* service factor < 1.0

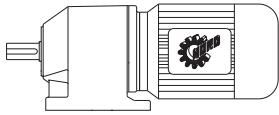
Gearmotors in Italics include an Energy Efficient Motor and have a "H" in the type

I	= f _B 0.8 - 1.39
II	= f _B 1.4 - 1.99
III	= f _B ≥ 2.0

1) with F_A = 0 Lb

2) with F_a = 0 Lb

** Output speeds may be slightly different than shown. For precise speed calculate with the motor speed and the ratio.



HELICAL GEAR MOTORS

THREE PHASE



Power [HP]	Output speed **			Output torque T ₂ [LB-IN]	Service factor f _B	Red. Ratio i _{total}	Normal bearing		Radial HD bearing	Axial HD bearing	Type	Weight approx. Mounting position B3 [LBS]	Dimensions page	
	n ₂ [RPM]						F _{QN} ¹⁾ OHL	F _{AN} ²⁾ Thrust	F _{QvL} ¹⁾ OHL	F _{AL} ²⁾ Thrust				
	AGMA						[LBS]	[LBS]	[LBS]	[LBS]				
I	II	III												
2.00	143	152	172	885	1.9	11.88	504	770	974	1330	SK 372 - 90L/4 SK 372 - 90LH/4	58	50 / 51	
				832	1.8	11.17	556	806	977	1339				
	735	2.1	9.90	576	801	981	1316							
	646	2.3	8.65	605	810	983	1296							
	80	196	222	* 1575	* 0.8	20.96	87	447	1373	1253	SK 272 - 90L/4 SK 272 - 90LH/4	58	50 / 51	
	84			* 1505	* 0.8	20.06	106	529	1375	1330				
	91			* 1389	* 0.9	18.59	172	555	1379	1244				
	98			1283	1.0	17.17	266	628	1382	1348				
	112			1124	1.1	15.10	365	695	1386	1357				
	127			991	1.2	13.41	441	740	1391	1350				
	143			885	1.4	11.88	464	740	1393	1330				
	152			832	1.5	11.17	522	779	1393	1339				
	172			735	1.7	9.90	542	779	1395	1316				
	196			646	1.9	8.65	581	794	1397	1296				
				504	2.5	6.75	583	785	1400	1251				
				478	2.5	6.34	576	772	1400	1231				
				416	2.6	5.62	556	756	1400	1202				
				372	2.7	4.96	540	747	1400	1177				
		336	2.8	4.57	533	763	1400	1170						
		301	2.8	4.05	513	731	1402	1134						
		266	2.9	3.52	495	709	1402	1103						
		239	2.8	3.19	482	689	1402	1073						
		204	2.9	2.77	464	675	1364	1044						
	146	548	635	* 867	* 0.8	11.41	77	227	743	1406	SK 172 - 90L/4 SK 172 - 90LH/4	49	50 / 51	
	166			* 761	* 0.9	10.07	99	284	743	1400				
	178			* 708	* 0.9	9.35	115	288	743	1379				
	202			628	1.0	8.25	180	322	743	1359				
	216			* 584	* 0.9	7.68	176	313	743	1334				
	240			522	1.0	6.94	214	333	743	1316				
	262			478	1.1	6.34	293	387	743	1323				
289	434			1.2	5.74	252	347	743	1271					
319	398			1.3	5.21	311	385	743	1265					
	354			1.4	4.71	333	396	743	1244					
	310			1.5	4.07	351	401	743	1213					
	292			1.5	3.90	349	392	743	1195					
	257			1.7	3.37	360	392	743	1159					
	230			1.8	3.03	351	376	743	1127					
	195	2.1	2.62	369	385	743	1096							
	168	2.4	2.23	349	356	743	1044							
	150	2.5	1.93	335	347	743	1010							
3.00	6.4	30	30	29559	1.0	267.31	2446	5850	5850	9000	SK 973 - 100L/4 SK 973 - 100LH/4	298	54 / 55	
	7.3			25913	1.1	233.44	2896	5850	6284	9000				
	10			18912	1.5	169.33	3479	5850	6903	9000				
	12			15762	1.8	146.30	3661	5850	7108	9000				
				13514	2.1	124.17	3764	5850	7227	9000				
				11124	2.5	105.37	3857	5850	7333	9000				
				10505	2.7	95.04	3877	5850	7355	9000				
				9461	3.0	83.00	3908	5850	7394	9000				
				8222	3.4	77.24	3942	5850	7432	9000				
				7567	3.5	67.45	3958	5850	7450	9000				
				6301	3.8	59.18	3983	5850	7479	9000				

* service factor < 1.0

Gearmotors in Italics include an Energy Efficient Motor and have a "H" in the type

I = f_B 0.8 - 1.39
 II = f_B 1.4 - 1.99
 III = f_B ≥ 2.0

1) with F_A = 0 Lb

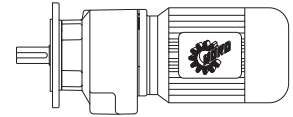
2) with F_Q = 0 Lb

** Output speeds may be slightly different than shown. For precise speed calculate with the motor speed and the ratio.



HELICAL GEAR MOTORS

THREE PHASE



Power [HP]	Output speed **			Output torque T ₂ [LB-IN]	Service factor f _B	Red. Ratio i _{total}	Standard bearing		Radial HD bearing	Axial HD bearing	Type	Weight approx. Mounting position B3 [LBS]	Dimensions page
	n ₂ [RPM]						F _{Q N} ¹⁾ OHL	F _{A N} ²⁾ Thrust	F _{Q VL} ¹⁾ OHL	F _{A AL} ²⁾ Thrust			
	AGMA					[LBS]	[LBS]	[LBS]	[LBS]				
	I	II	III										
3.00			26	7275	2.8	67.05	4532	4469	6215	9000	SK 972 - 100L/4 SK 972 - 100LH/4	299	54 / 55
			31	6098	3.0	56.59	4550	4343	6226	8960			
	12			* 15762	* 0.9	145.57	1609	4275	4064	7875	SK 873 - 100L/4 SK 873 - 100LH/4	200	54 / 55
	14			13514	1.1	117.51	1879	4275	4345	7875			
	17			11124	1.3	97.74	2090	4275	4581	7875			
		19		9956	1.5	88.16	2174	4275	4676	7875			
		22		8593	1.7	81.51	2255	4275	4772	7875			
		23		8222	1.8	76.27	2275	4275	4797	7875			
		24		7885	1.9	70.89	2291	4275	4815	7875			
			28	6753	2.2	63.95	2342	4275	4878	7875			
			31	6098	2.4	55.32	2369	4275	4907	7875			
			35	5407	2.8	49.43	2392	4275	4937	7875			
			40	4726	3.1	43.75	2412	4275	4961	7875			
			43	4398	3.0	39.91	2421	4275	4973	7875			
			49	3859	3.1	35.32	2435	4275	4988	7875			
			55	3443	3.3	31.42	2444	4275	5000	7875			
			66	2867	3.5	26.49	2455	4275	5013	7875			
			32	5912	2.1	52.79	3326	2309	5036	6215	SK 872 - 100L/4 SK 872 - 100LH/4	197	54 / 55
			38	4974	2.2	45.81	3350	2277	5049	6030			
			42	4505	2.2	40.78	3359	2241	5054	5886			
			47	4027	3.3	36.68	3371	2284	5058	5866			
			54	3505	3.9	31.83	3260	2232	5063	5690			
			61	3098	4.4	28.34	3155	2187	5067	5537			
	23			* 8222	* 0.9	75.95	1004	2025	2079	2612	SK 773 - 100L/4 SK 773 - 100LH/4	126	52 / 53
	25			7567	1.0	68.49	1127	2025	2138	2662			
	26			7275	1.1	64.94	1188	2025	2162	2684			
	30			6301	1.2	57.73	1213	2025	2232	2745			
		35		5407	1.4	49.36	1217	2025	2288	2777			
		41		4611	1.6	42.60	1204	2025	2329	2790			
		47		4027	1.8	36.79	1190	2025	2354	2777			
		53	3567	2.0	32.97	1172	2025	2372	2763				
		61	3098	2.3	28.47	1150	2025	2387	2727				
		70	2699	2.7	25.13	1127	2025	2399	2689				
		78	2425	3.0	22.37	1100	1985	2405	2655				
		89	2124	3.3	19.61	1073	1926	2340	2599				
	49		3859	1.8	35.64	1798	2162	2761	3537	SK 772 - 100L/4 SK 772 - 100LH/4	122	52 / 53	
	50		3779	1.8	34.05	1802	2183	2765	3542				
	58		3257	1.9	30.31	1834	2183	2779	3470				
	65		2912	1.8	26.71	1850	2138	2788	3382				
		70	2699	2.7	24.72	1859	2252	2792	3431				
		73	2593	2.8	23.62	1863	2261	2795	3409				
		83	2283	3.2	21.02	1841	2228	2801	3328				
		94	2009	3.4	18.53	1773	2169	2806	3233				
29			* 6522	* 0.9	57.30	236	1721	1564	1937	SK 673 - 100L/4 SK 673 - 100LH/4	111	52 / 53	
32			* 5912	* 0.9	52.12	416	1721	1634	1998				
36			5257	1.1	47.00	590	1721	1697	2059				
43			4398	1.3	39.62	803	1721	1766	2113				
	50		3779	1.5	33.55	929	1721	1809	2142				
	59		3204	1.7	29.53	1033	1721	1841	2142				
	62		3053	1.8	28.05	1053	1721	1847	2142				
	66		2867	1.9	26.06	1044	1721	1856	2135				

* service factor < 1.0

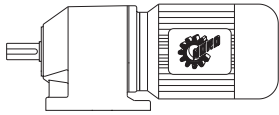
Gearmotors in Italics include an Energy Efficient Motor and have a "H" in the type

I	= f _B 0.8 - 1.39
II	= f _B 1.4 - 1.99
III	= f _B ≥ 2.0

1) with F_A = 0 Lb

2) with F_Q = 0 Lb

** Output speeds may be slightly different than shown. For precise speed calculate with the motor speed and the ratio.



HELICAL GEAR MOTORS

THREE PHASE



Power [HP]	Output speed **			Output torque T ₂ [LB-IN]	Service factor f _B	Red. Ratio i _{total}	Normal bearing		Radial HD	Axial HD	Type	Weight Mounting position B3 [LBS]	approx. Dimensions page	
	n ₂ [RPM]						F _{QN} ¹⁾	F _{AN} ²⁾	bearing	bearing				
	AGMA						OHL	Thrust	F _{Q VL} ¹⁾	F _{A AL} ²⁾				
	I	II	III				[LBS]	[LBS]	[LBS]	[LBS]				
3.00			74	2558	2.2	23.20	1026	1721	1870	2122	SK 673 - 100L/4 SK 673 - 100LH/4	111	52 / 53	
			83	2283	2.4	20.90	1006	1721	1881	2102				
			94	2009	2.7	18.45	983	1721	1890	2079				
			106	1788	3.0	16.42	961	1688	1897	2045				
	46			4115	1.2	37.02	810	774	2241	3038	SK 672 - 100L/4 SK 672 - 100LH/4	111	52 / 53	
	52			3637	1.3	32.82	968	938	2264	3008				
		59		3204	1.5	28.55	1181	1150	2282	3008				
		68		2779	1.8	25.32	1283	1235	2297	2957				
			80	2363	2.1	21.51	1247	1287	2311	2918				
			89	2124	2.5	19.45	1242	1382	2318	2945				
	92		2053	1.8	18.86	1204	1276	2320	2840					
		100	1894	2.5	17.42	1224	1440	2324	2927					
		113	1673	2.5	15.44	1186	1429	2329	2858					
		125	1513	2.6	13.87	1161	1438	2331	2817					
46			4115	1.0	37.72	235	1721	1942	2189	SK 573 - 100L/4 SK 573 - 100LH/4	93	52 / 53		
52			3637	1.1	32.94	273	1721	1960	2219					
59			3204	1.2	29.01	315	1721	1967	2232					
	66		2867	1.4	25.60	398	1721	1960	2232					
	73		2593	1.5	23.10	459	1721	1951	2232					
	83		2283	1.7	20.90	527	1721	1933	2212					
	92		2053	1.9	18.86	569	1721	1919	2198					
		106	1788	2.2	16.37	610	1721	1886	2167					
64			2956	1.3	26.70	376	983	2475	3375	SK 572 - 100L/4 SK 572 - 100LH/4	92	52 / 53		
	73		2593	1.5	23.16	545	1078	2475	3375					
	86		2204	1.8	20.17	668	1145	2475	3375					
	92		2053	1.6	18.44	835	1296	2475	3375					
		96	1974	2.0	17.98	826	1256	2475	3375					
	102		1859	1.7	16.63	824	1323	2475	3375					
		112	1690	2.4	15.59	808	1296	2475	3375					
	113		1673	1.7	15.04	808	1312	2475	3375					
		124	1522	2.5	14.02	801	1377	2475	3375					
		137	1381	2.5	12.68	783	1348	2475	3375					
		166	1142	2.8	10.45	761	1377	2475	3375					
66			* 2867	* 0.8	25.60	626	1721	1782	2167	SK 473 - 100L/4 SK 473 - 100LH/4	93	50 / 51		
73			* 2593	* 0.8	23.10	675	1721	1778	2167					
83			* 2283	* 0.9	20.90	720	1721	1764	2151					
64			2956	1.0	26.70	304	900	2475	3263	SK 472 - 100L/4 SK 472 - 100LH/4	92	50 / 51		
73			2593	1.1	23.16	500	1017	2475	3263					
86			2204	1.3	20.17	655	1080	2475	3263					
92			2053	1.3	18.44	873	1235	2475	3263					
		96	1974	1.3	17.98	851	1211	2475	3263					
	102		1859	1.4	16.63	961	1274	2475	3263					
		112	1690	1.5	15.59	970	1260	2475	3263					
		113	1673	1.5	15.04	977	1271	2475	3263					
		124	1522	1.6	14.02	972	1339	2475	3263					
		137	1381	1.7	12.68	947	1310	2475	3263					
		166	1142	1.9	10.45	918	1352	2475	3263					

* service factor < 1.0

Gearmotors in Italics include an Energy Efficient Motor and have a "H" in the type

I = f_B 0.8 - 1.39
 II = f_B 1.4 - 1.99
 III = f_B 2.0

1) with F_A = 0 Lb

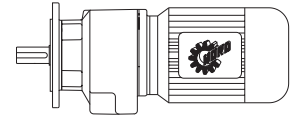
2) with F_Q = 0 Lb

** Output speeds may be slightly different than shown. For precise speed calculate with the motor speed and the ratio.



HELICAL GEAR MOTORS

THREE PHASE



Power [HP]	Output speed ** n ₂ [RPM]			Output torque T ₂ [LB-IN]	Service factor f _B	Red. Ratio i _{total}	Standard bearing		Radial HD bearing	Axial HD bearing	Type	Weight approx. Mounting position B3 [LBS]	Dimensions page					
	AGMA						F _{Q N} ¹⁾ OHL	F _{A N} ²⁾ Thrust	F _{Q VL} ¹⁾ OHL	F _{A AL} ²⁾ Thrust								
	I	II	III				[LBS]	[LBS]	[LBS]	[LBS]								
3.00	104		188	1009	2.1	9.22	896	1339	2475	3263	SK 472 - 100L/4 SK 472 - 100LH/4	92	50 / 51					
			208	912	2.3	8.34	871	1310	2475	3263								
			241	788	2.6	7.23	842	1285	2475	3263								
			276	681	3.0	6.30	810	1247	2475	3263								
	127 143 152			1823	1823	1.0	16.28	335	556	783	821	SK 373 - 100L/4 SK 373 - 100LH/4	72	50 / 51				
				1487	1487	1.1	13.41	66	277	938	1087							
				1319	1319	1.2	11.88	89	351	950	1089							
				1248	1248	1.2	11.17	128	419	954	1121							
				1097	1097	1.4	9.90	191	455	963	1112							
				965	965	1.6	8.65	277	506	970	1121							
				850	850	1.7	7.64	324	524	977	1112							
				752	752	1.7	6.75	376	556	979	1107							
				708	708	1.8	6.34	389	556	981	1098							
				1487	1487	* 0.8	13.41	32	251	1377	1087				SK 272 - 100L/4 SK 272 - 100LH/4	71	50 / 51	
				1319	1319	* 0.9	11.88	45	321	1382	1089							
				1248	1248	1.0	11.17	71	385	1384	1121							
				1097	1097	1.1	9.90	140	419	1388	1112							
				965	965	1.3	8.65	232	477	1391	1121							
	850	850	1.5	7.64	284	497	1393	1112										
	752	752	1.6	6.75	342	533	1395	1107										
	708	708	1.7	6.34	356	533	1395	1098										
	628	628	2.0	5.62	367	529	1397	1073										
	558	558	2.2	4.96	405	545	1397	1064										
	513	513	2.4	4.57	450	581	1400	1067										
	451	451	2.6	4.05	459	569	1375	1044										
	389	389	2.8	3.52	468	581	1350	1026										
	354	354	2.6	3.19	455	563	1319	1001										
	310	310	2.8	2.77	439	556	1285	981										
239	239	2.6	2.17	410	518	1206	923											
212	212	2.8	1.88	394	502	1170	893											
5.00	10 12 14		* 31524	* 31524	* 0.9	169.33	2135	5850	5576	9000	SK 973 - 100L/40 SK 973 - 112MH/4	302	54 / 55					
			26267	26267	1.1	146.30	2858	5850	6246	9000								
			22514	22514	1.3	124.17	3215	5850	6617	9000								
			18541	18541	1.5	105.37	3501	5850	6930	9000								
			17514	17514	1.6	95.04	3564	5850	7000	9000								
			15762	15762	1.8	83.00	3661	5850	7108	9000								
			13709	13709	2.1	77.24	3758	5850	7218	9000								
			12611	12611	2.1	67.45	3803	5850	7270	9000								
			10505	10505	2.3	59.18	3877	5850	7355	9000								
			9275	9275	2.0	52.01	3915	5850	7398	9000								
	7885	7885	2.0	44.15	3951	5850	7441	9000										
	7691	7691	2.1	42.27	3956	5850	7445	9000										
	26 31			12125	12125	1.7	67.05	4417	3746	6156	8231	SK 972 - 100L/40 SK 972 - 112MH/4	303	54 / 55				
				10169	10169	1.8	56.59	4295	3710	6183	8035							
				8523	8523	2.4	46.91	4140	3724	6203	7920							
				7328	7328	2.8	39.59	3978	3659	6215	7718							
				4098	4098	2.3	22.62	3427	3402	6237	6966							
				3708	3708	2.3	20.37	3344	3348	6239	6822							
				3213	3213	2.5	17.77	3204	3254	6242	6617							

* service factor < 1.0

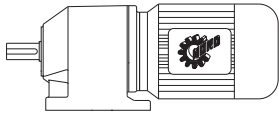
Gearmotors in Italics include an Energy Efficient Motor and have a "H" in the type

I = f_B 0.8 - 1.39
 II = f_B 1.4 - 1.99
 III = f_B ≥ 2.0

1) with F_A = 0 Lb

2) with F_Q = 0 Lb

** Output speeds may be slightly different than shown. For precise speed calculate with the motor speed and the ratio.



HELICAL GEAR MOTORS

THREE PHASE



Power [HP]	Output speed **			Output torque T ₂ [LB-IN]	Service factor f _B	Red. Ratio i _{total}	Normal bearing		Radial HD bearing	Axial HD bearing	Type	Weight approx. Mounting position B3 [LBS]	Dimensions page			
	n ₂ [RPM]						F _{QN} ¹⁾ OHL	F _{AN} ²⁾ Thrust	F _{QvL} ¹⁾ OHL	F _{AL} ²⁾ Thrust						
	I	II	III				[LBS]	[LBS]	[LBS]	[LBS]						
5.00	17			* 18541	* 0.8	97.74	1107	4275	3620	7875	SK 873 - 100L/40 <i>SK 873 - 112MH/4</i>	204	54 / 55			
	19			* 16594	* 0.9	88.16	1485	4275	3944	7875						
	22			14328	1.0	81.51	1791	4275	4250	7875						
	23			13709	1.1	76.27	1859	4275	4322	7875						
	24			13133	1.1	70.89	1917	4275	4388	7875						
	28			11257	1.3	63.95	2081	4275	4570	7875						
		31		10169	1.5	55.32	2160	4275	4660	7875						
		35		9009	1.7	49.43	2232	4275	4745	7875						
		40		7885	1.9	43.75	2291	4275	4815	7875						
		43		7328	1.8	39.91	2318	4275	4847	7875						
		49		6434	1.9	35.32	2356	4275	4894	7875						
			55	5735	2.0	31.42	2381	4275	4923	7875						
			66	4779	2.1	26.49	2412	4275	4961	7875						
			74	4257	2.0	23.38	2426	4275	4977	7875						
			89	3540	2.1	19.72	2441	4275	4997	7875						
		32		9850	1.3	52.79	3177	1600	4959	5128	SK 872 - 100L/40 <i>SK 872 - 112MH/4</i>	201	54 / 55			
		38		8292	1.3	45.81	3247	1663	4995	5078						
		42		7505	1.3	40.78	3157	1663	5011	5022						
			47	6708	2.0	36.68	3143	1805	5024	5128						
			54	5841	2.4	31.83	3038	1793	5038	5022						
			61	5168	2.7	28.34	2939	1784	5047	4925						
			92	3425	1.9	18.77	2696	1843	5065	4754						
			104	3036	2.1	16.78	2610	1823	5067	4658						
			114	2761	2.1	15.25	2552	1807	5069	4583						
		35		* 9009	* 0.8	49.36	144	1148	1886	1859				SK 773 - 100L/40 <i>SK 773 - 112MH/4</i>	130	52 / 53
		41		7691	1.0	42.60	477	1296	2014	1996						
		47		6708	1.1	36.79	702	1391	2097	2090						
		53		5947	1.2	32.97	857	1447	2147	2149						
			61	5168	1.4	28.47	938	1492	2178	2196						
			70	4505	1.6	25.13	941	1523	2198	2232						
			78	4044	1.8	22.37	938	1526	2201	2237						
			89	3540	2.0	19.61	934	1526	2196	2237						
			100	3151	1.8	17.50	923	1523	2160	2232						
			112	2814	1.9	15.58	911	1499	2106	2214						
			127	2478	2.0	13.66	896	1478	2050	2189						
		49		6434	1.1	35.64	311	286	2653	2716	SK 772 - 100L/40 <i>SK 772 - 112MH/4</i>	127	52 / 53			
		50		6301	1.1	34.05	425	398	2660	2745						
		58		5434	1.1	30.31	756	713	2702	2750						
		65		4850	1.1	26.71	855	806	2727	2716						
			70	4505	1.6	24.72	1402	1328	2741	2844						
			73	4319	1.7	23.62	1517	1438	2747	2858						
			83	3797	1.9	21.02	1645	1514	2763	2831						
			94	3354	2.1	18.53	1602	1501	2777	2772						
			100	3151	1.5	17.36	1618	1658	2781	2844						
			109	2894	2.1	15.89	1562	1575	2788	2750						
		110	2867	1.6	15.66	1591	1694	2788	2831							
		128	2460	1.7	13.54	1541	1726	2797	2799							
		144	2186	1.8	12.10	1503	1746	2801	2754							
		170	1859	1.9	10.23	1449	1748	2808	2693							

* service factor < 1.0

Gearmotors in Italics include an Energy Efficient Motor and have a "H" in the type

I	= f _B 0.8 - 1.39
II	= f _B 1.4 - 1.99
III	= f _B ≥ 2.0

1) with F_A = 0 Lb

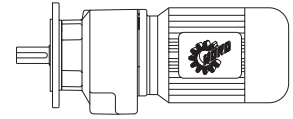
2) with F_Q = 0 Lb

** Output speeds may be slightly different than shown. For precise speed calculate with the motor speed and the ratio.



HELICAL GEAR MOTORS

THREE PHASE



Power [HP]	Output speed **			Output torque T ₂ [LB-IN]	Service factor f _B	Red. Ratio i _{total}	Standard bearing		Radial HD bearing ¹⁾	Axial HD bearing ²⁾	Type	Weight approx. Mounting position B3 [LBS]	Dimensions page
	n ₂ [RPM]						F _{Q N} ¹⁾	F _{A N} ²⁾	F _{Q VL} ¹⁾	F _{A AL} ²⁾			
	AGMA						[LBS]	[LBS]	[LBS]	[LBS]			
I	II	III											
5.00	192		1646	1.9	9.11	1400	1719	2810	2633	SK 772 - 100L/40 <i>SK 772 - 112MH/4</i>	127	52 / 53	
			1460	2.0	8.10	1361	1710	2813	2583				
			1283	2.0	7.14	1310	1661	2815	2507				
			1230	2.1	6.83	1303	1685	2815	2507				
			1089	2.1	6.02	1253	1631	2817	2430				
	43	83		* 7328	* 0.8	39.62	22	1003	1420	1294	SK 673 - 100L/40 <i>SK 673 - 112MH/4</i>	116	52 / 53
				* 6301	* 0.9	33.55	63	1119	1559	1433			
				5345	1.0	29.53	95	1217	1658	1550			
				5089	1.1	28.05	171	1233	1685	1571			
				4779	1.2	26.06	266	1258	1712	1600			
				4257	1.3	23.20	412	1296	1760	1647			
				3797	1.5	20.90	529	1323	1782	1679			
				3354	1.6	18.45	635	1325	1800	1703			
				2974	1.8	16.42	711	1325	1807	1715			
			52	89		* 6062	* 0.8	32.82	71	43			
		* 5345			* 0.9	28.55	115	87	2165	2156			
		4637			1.1	25.32	165	127	2212	2194			
		3938			1.3	21.51	212	181	2250	2261			
		3540			1.5	19.45	284	268	2268	2381			
		3425			1.1	18.86	405	302	2273	2239			
		3151			1.5	17.42	644	626	2284	2446			
		2788			1.5	15.44	763	736	2297	2419			
		2522			1.6	13.87	909	882	2306	2419			
		2186			1.7	12.09	1010	997	2318	2410			
	66	92		1903	1.7	10.52	983	1031	2324	2381	SK 573 - 100L/40 <i>SK 573 - 112MH/4</i>	98	52 / 53
				1699	1.7	9.33	956	1031	2329	2331			
				1505	1.8	8.31	941	1060	2331	2309			
				1434	1.7	7.93	925	1049	2333	2286			
				1336	1.9	7.37	916	1073	2336	2273			
				1133	1.9	6.26	882	1076	2338	2212			
				991	2.0	5.49	857	1082	2340	2165			
				867	2.1	4.80	833	1076	2340	2117			
				* 4779	* 0.8	25.60	30	44	1458	1616			
				* 4319	* 0.9	23.10	35	170	1494	1667			
	73	92		3797	1.0	20.90	72	385	1535	1721	SK 572 - 100L/40 <i>SK 572 - 112MH/4</i>	97	52 / 53
				3425	1.2	18.86	88	698	1562	1753			
				2974	1.3	16.37	108	1391	1575	1784			
				* 4929	* 0.8	26.70	0	0	203	3375			
				* 4319	* 0.9	23.16	35	100	524	3375			
				3664	1.1	20.17	98	279	986	3375			
				3425	1.0	18.44	134	383	1553	3375			
				3283	1.2	17.98	144	411	1510	3375			
				3089	1.0	16.63	172	492	1805	3375			
				2814	1.4	15.59	194	554	1852	3375			
	83	92		2788	1.0	15.04	205	587	1910	3375	SK 572 - 100L/40 <i>SK 572 - 112MH/4</i>	97	52 / 53
				2540	1.5	14.02	227	648	2192	3375			
				2301	1.5	12.68	290	675	2243	3375			
				1903	1.7	10.45	529	837	2475	3375			
				1673	1.8	9.22	626	898	2475	3375			
				1513	1.8	8.34	637	889	2475	3375			
			1310	1.8	7.23	623	918	2475	3375				
			1142	1.8	6.30	608	918	2475	3375				
			1018	1.9	5.61	596	929	2475	3375				
			876	1.9	4.82	576	927	2475	3375				

* service factor < 1.0

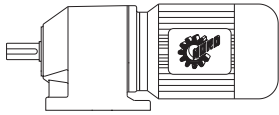
Gearmotors in Italics include an Energy Efficient Motor and have a "H" in the type

I	= f _B 0.8 - 1.39	
II	= f _B 1.4 - 1.99	
III	= f _B ≥ 2.0	

1) with F_A = 0 Lb

2) with F_a = 0 Lb

** Output speeds may be slightly different than shown. For precise speed calculate with the motor speed and the ratio.



HELICAL GEAR MOTORS

THREE PHASE



Power [HP]	Output speed **			Output torque T ₂ [LB-IN]	Service factor f _B	Red. Ratio i _{total}	Normal bearing		Radial HD	Axial HD	Type	Weight approx. Mounting position B3 [LBS]	Dimen- sions page							
	n ₂ [RPM]						F _{QN} ¹⁾	F _{AN} ²⁾	bearing	bearing										
	AGMA						OHL	Thrust	F _{QvL} ¹⁾	F _{AL} ²⁾										
	I	II	III				[LBS]	[LBS]	[LBS]	[LBS]										
5.00	86			* 3664	* 0.8	20.17	112	355	864	3263	SK 472 - 100L/40 SK 472 - 112MH/4	97	50 / 51							
	92			* 3425	* 0.8	18.44	133	360	1523	3263										
	96			* 3283	* 0.8	17.98	153	370	1483	3263										
	102			* 3089	* 0.8	16.63	173	401	1827	3263										
	112			* 2814	* 0.9	15.59	190	456	1892	3263										
	113			* 2788	* 0.9	15.04	213	473	1951	3263										
	124			2540	1.0	14.02	235	594	2284	3263										
	137			2301	1.0	12.68	250	619	2347	3263										
	166			1903	1.2	10.45	520	790	2475	3263										
	188			1673	1.3	9.22	639	855	2475	3263										
		208		1513	1.4	8.34	666	855	2475	3263										
		241		1310	1.6	7.23	745	882	2475	3263										
		276		1142	1.8	6.30	736	891	2475	3263										
		310		1018	1.9	5.61	722	902	2475	3263										
		361		876	1.9	4.82	698	900	2475	3263										
			412	761	2.0	4.23	680	909	2475	3263										
			479	655	2.1	3.63	659	900	2414	3263										
			548	575	2.0	3.17	630	846	2320	3263										
			637	496	2.1	2.73	610	835	2232	3263										
		172		* 1832	* 0.8	9.90	87	63	909	709				SK 372 - 100L/40 SK 372 - 112MH/4	76	50 / 51				
		196		* 1611	* 0.9	8.65	110	100	929	767										
		222		1416	1.0	7.64	129	130	945	792										
		251		1257	1.0	6.75	145	156	954	826										
		266		1186	1.1	6.34	153	168	959	826										
		301		1044	1.2	5.62	166	190	968	826										
		341		920	1.3	4.96	178	209	972	846										
			371	850	1.4	4.57	186	275	977	873										
			418	752	1.6	4.05	195	290	979	864										
			481	655	1.7	3.52	205	331	983	869										
			530	593	1.6	3.19	214	329	986	853										
			611	513	1.7	2.77	268	360	988	851										
			780	407	1.6	2.17	263	335	990	803										
			900	354	1.7	1.88	295	349	990	794										
		196		* 1611	* 0.8	8.65	15	63	1055	767							SK 272 - 100L/40 SK 272 - 112MH/4	76	50 / 51	
		222		* 1416	* 0.9	7.64	67	100	1085	792										
		251		1257	1.0	6.75	101	139	1123	826										
		266		1186	1.0	6.34	115	164	1121	826										
		301		1044	1.2	5.62	122	199	1116	826										
		341		920	1.3	4.96	137	227	1139	846										
			371	850	1.4	4.57	151	252	1175	873										
			418	752	1.6	4.05	160	268	1157	864										
			481	655	1.7	3.52	171	311	1159	869										
			530	593	1.6	3.19	185	308	1134	853										
			611	513	1.7	2.77	241	342	1130	851										
			780	407	1.6	2.17	241	317	1064	803										
			900	354	1.7	1.88	275	338	1049	794										
	7.50	17			27816	1.0	105.37	2678	5850	6068				9000	SK 973 - 132S/4 SK 973 - 132SH/4	342				54 / 55
		18			26267	1.1	95.04	2858	5850	6246				9000						
20				23647	1.2	83.00	3116	5850	6512	9000										
		23		20559	1.4	77.24	3366	5850	6779	9000										

* service factor < 1.0

Gearmotors in Italics include an Energy Efficient Motor and have a "H" in the type

I = f_B 0.8 - 1.39
 II = f_B 1.4 - 1.99
 III = f_B ≥ 2.0

1) with F_A = 0 Lb

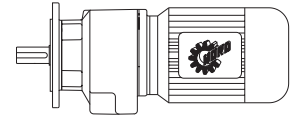
2) with F_Q = 0 Lb

** Output speeds may be slightly different than shown. For precise speed calculate with the motor speed and the ratio.



HELICAL GEAR MOTORS

THREE PHASE



Power [HP]	Output speed **			Output torque T ₂ [LB-IN]	Service factor f _B	Red. Ratio i _{total}	Standard bearing		Radial HD bearing ¹⁾	Axial HD bearing ²⁾	Type	Weight approx. Mounting position B3 [LBS]	Dimensions page			
	n ₂ [RPM]						F _{Q N} ¹⁾	F _{A N} ²⁾	F _{Q VL} ¹⁾	F _{A AL} ²⁾						
	AGMA						[LBS]	[LBS]	[LBS]	[LBS]						
I	II	III														
7.50	25			18912	1.5	67.45	3479	5850	6903	9000	SK 973 - 132S/4 SK 973 - 132SH/4	342	54 / 55			
	30			15762	1.8	59.18	3661	5850	7108	9000						
		34		13912	2.0	52.01	3749	5850	7207	9000						
		40		11824	2.4	44.15	3832	5850	7304	9000						
		41		11532	2.5	42.27	3843	5850	7315	9000						
		47		10062	2.8	37.09	3890	5850	7371	9000						
		49		9647	2.9	35.88	3866	5850	7387	9000						
		56		8443	3.4	30.80	3746	5850	7425	9000						
		64		7390	3.6	27.50	3616	5850	7454	9000						
		37		12779	1.6	46.91	3818	3092	6147	6966				SK 972 - 132S/4 SK 972 - 132SH/4	343	54 / 55
		43		11001	1.9	39.59	3706	3092	6174	6867						
			48	9850	2.1	36.41	3641	3150	6188	6876						
			56	8443	2.7	30.73	3512	3121	6203	6734						
			66	7169	3.2	26.57	3380	3067	6217	6586						
		24			* 19700	* 0.8	70.89	770	4275	3393	7875	SK 873 - 132S/4 SK 873 - 132SH/4	244	54 / 55		
		28			* 16886	* 0.9	63.95	1436	4275	3899	7875					
		31			15257	1.0	55.32	1676	4275	4133	7875					
		35			13514	1.1	49.43	1879	4275	4345	7875					
		40			11824	1.3	43.75	2034	4275	4518	7875					
			43		11001	1.4	39.91	2099	4275	4592	7875					
			49		9647	1.5	35.32	2194	4275	4700	7875					
			55		8593	1.7	31.42	2255	4275	4772	7875					
			66		7169	2.1	26.49	2324	4275	4856	7875					
			74		6390	2.3	23.38	2358	4275	4896	7875					
			89		5310	2.7	19.72	2394	4275	4941	7749					
			104		4549	2.9	16.69	2329	4120	4968	7445					
		47			10062	1.3	36.68	2808	1199	4955	4196	SK 872 - 132S/4 SK 872 - 132SH/4	241	54 / 55		
			54		8753	1.6	31.83	2745	1251	4986	4190					
			61		7753	1.8	28.34	2669	1289	5006	4169					
			70		6753	2.0	24.90	2642	1413	5022	4271					
			79		5983	2.3	22.16	2567	1418	5036	4203					
			92		5142	2.5	18.77	2531	1532	5047	4284					
			95		4974	2.5	18.32	2477	1465	5049	4169					
			104		4549	2.7	16.78	2468	1548	5054	4237					
			114		4151	2.9	15.25	2419	1557	5058	4203					
			120		3938	2.9	14.56	2376	1535	5060	4142					
			132		3584	3.0	13.23	2324	1537	5063	4104					
			151		3133	3.2	11.61	2255	1535	5067	4019					
			169		2797	3.2	10.34	2180	1508	5069	3935					
		53			* 8921	* 0.8	32.97	150	145	1438	1386	SK 773 - 132S/4 SK 773 - 132SH/4	170	52 / 53		
	61			* 7753	* 0.9	28.47	160	788	1564	1535						
	70			6753	1.1	25.13	277	898	1674	1649						
	78			6062	1.2	22.37	443	974	1728	1717						
	89			5310	1.3	19.61	608	1046	1782	1787						
		100		4726	1.5	17.50	729	1089	1820	1823						
		112		4221	1.6	15.58	767	1123	1838	1859						
		127		3726	1.8	13.66	770	1139	1854	1877						
	70			6753	1.1	24.72	270	210	2637	2129	SK 772 - 132S/4 SK 772 - 132SH/4	166	52 / 53			
	73			6478	1.1	23.62	279	237	2651	2171						
	83			5699	1.3	21.02	282	256	2691	2201						
		94		5027	1.4	18.53	300	290	2720	2194						

* service factor < 1.0

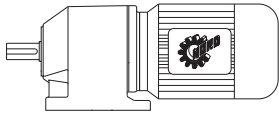
Gearmotors in Italics include an Energy Efficient Motor and have a "H" in the type

I	= f _B 0.8 - 1.39	
II	= f _B 1.4 - 1.99	
III	= f _B ≥ 2.0	

1) with F_A = 0 Lb

2) with F_a = 0 Lb

** Output speeds may be slightly different than shown. For precise speed calculate with the motor speed and the ratio.



HELICAL GEAR MOTORS

THREE PHASE



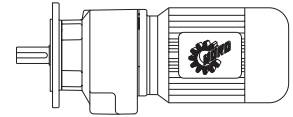
Power [HP]	Output speed **			Output torque T ₂ [LB-IN]	Service factor f _B	Red. Ratio i _{total}	Normal bearing		Radial HD	Axial HD	Type	Weight approx. Mounting position B3 [LBS]	Dimen- sions page			
	n ₂ [RPM]						F _{QN} ¹⁾	F _{AN} ²⁾	F _{Q vL} ¹⁾	F _{AL} ²⁾						
	AGMA						OHL	Thrust	OHL	Thrust						
	I	II	III				[LBS]	[LBS]	[LBS]	[LBS]						
7.50	100			4726	1.0	17.36	578	527	2732	2338	SK 772 - 132S/4 SK 772 - 132SH/4	166	52 / 53			
		109		4337	1.4	15.89	448	412	2745	2250						
	110			4301	1.1	15.66	817	758	2747	2365						
		128		3690	1.7	13.54	1134	1082	2768	2403						
		144		3283	1.9	12.10	1337	1238	2779	2403						
			170	2779	2.1	10.23	1343	1330	2790	2403						
			192	2460	2.3	9.11	1301	1341	2797	2360						
		66		* 7169	* 0.8	26.06	150	327	1037	941				SK 673 - 132S/4 SK 673 - 132SH/4	155	52 / 53
		74		* 6390	* 0.9	23.20	162	433	1166	1053						
		83		5699	1.0	20.90	179	605	1258	1154						
		94		5027	1.1	18.45	189	712	1337	1238						
		106		4460	1.2	16.42	215	889	1400	1303						
		100		4726	1.0	17.42	230	201	2205	1847	SK 672 - 132S/4 SK 672 - 132SH/4	155	52 / 53			
		113		4186	1.0	15.44	235	212	2237	1868						
		125		3779	1.1	13.87	241	217	2257	1924						
			144	3283	1.4	12.09	232	207	2279	1982						
			166	2850	1.7	10.52	254	245	2295	2005						
			186	2540	1.8	9.33	360	342	2306	1985						
			209	2266	2.0	8.31	531	509	2315	1991						
			220	2151	2.2	7.93	560	542	2318	1982						
			236	2000	2.2	7.37	691	671	2322	2003						
			278	1699	2.7	6.26	803	774	2329	1973						
			317	1496	2.8	5.49	785	808	2331	1953						
			362	1310	3.0	4.80	770	839	2336	1933						
			414	1142	3.0	4.20	743	830	2338	1883						
			443	1071	3.2	3.93	743	866	2338	1886						
			504	938	3.2	3.45	716	851	2340	1832						
			598	788	3.2	2.91	689	848	2333	1778						
		92		* 5142	* 0.8	18.86	100	132	1094	1199	SK 573 - 132S/4 SK 573 - 132SH/4	138	52 / 53			
		106		* 4460	* 0.9	16.37	111	132	1177	1303						
	124		3814	1.0	14.02	49	300	473	3375	SK 572 - 132S/4 SK 572 - 132SH/4	136	52 / 53				
	137		3452	1.0	12.68	66	300	646	3375							
	166		2850	1.2	10.45	133	345	1323	3375							
	188		2513	1.3	9.22	165	377	1584	3375							
		208	2274	1.5	8.34	170	371	1656	3375							
		241	1965	1.6	7.23	195	464	1843	3375							
		276	1717	1.8	6.30	263	509	1926	3375							
		310	1522	2.0	5.61	362	569	2050	3375							
		361	1310	2.1	4.82	441	610	2120	3375							
		412	1151	2.4	4.23	506	641	2187	3375							
		479	991	2.8	3.63	497	675	2237	3375							
	166		* 2850	* 0.8	10.45	142	330	1312	3263				SK 472 - 132S/4 SK 472 - 132SH/4	136	50 / 51	
	188		* 2513	* 0.8	9.22	171	347	1618	3263							
	208		* 2274	* 0.9	8.34	185	392	1692	3263							
	241		1965	1.0	7.23	200	421	1922	3263							
	276		1717	1.2	6.30	221	464	2027	3263							
	310		1522	1.3	5.61	344	531	2183	3263							
		361	1310	1.5	4.82	439	576	2257	3263							
		412	1151	1.7	4.23	520	614	2342	3263							
		479	991	1.8	3.63	596	650	2322	3263							
		548	867	2.1	3.17	574	612	2230	3263							
		637	743	2.3	2.73	563	637	2158	3263							
10.0	17			* 37090	* 0.8	105.37	198	5850	4597	9000	SK 973 - 132M/4 SK 973 - 132MH/4	366				54 / 55
				* service factor < 1.0												
	I			= f _B	0.8 - 1.39	1) with F _A = 0 Lb		2) with F _a = 0 Lb								
		II		= f _B	1.4 - 1.99	** Output speeds may be slightly different than shown. For precise speed calculate with the motor speed and the ratio.										
			III	= f _B	≥ 2.0											

Gearmotors in Italics include an Energy Efficient Motor and have a "H" in the type



HELICAL GEAR MOTORS

THREE PHASE



Power [HP]	Output speed **			Output torque T ₂ [LB-IN]	Service factor f _B	Red. Ratio i _{total}	Standard bearing		Radial HD bearing ¹⁾	Axial HD bearing ²⁾	Type	Weight approx. Mounting position B3 [LBS]	Dimensions page			
	n ₂ [RPM]						F _{Q N} ¹⁾	F _{A N} ²⁾	F _{Q VL} ¹⁾	F _{A AL} ²⁾						
	I	II	III				[LBS]	[LBS]	[LBS]	[LBS]						
10.0	18			* 35028	* 0.8	95.04	1341	5850	5000	9000	SK 973 - 132M/4 <i>SK 973 - 132MH/4</i>	366	54 / 55			
	20			* 31524	* 0.9	83.00	2135	5850	5576	9000						
	23			27417	1.0	77.24	2725	5850	6116	9000						
	25			25223	1.1	67.45	2966	5850	6356	9000						
	30			21019	1.3	59.18	3332	5850	6743	9000						
		34		18541	1.5	52.01	3501	5850	6930	9000						
		40		15762	1.8	44.15	3661	5850	7108	9000						
		41		15381	1.8	42.27	3679	5850	7128	9000						
			47	13417	2.1	37.09	3697	5850	7232	9000						
			49	12868	2.2	35.88	3679	5850	7259	9000						
			56	11257	2.5	30.80	3573	5850	7326	9000						
			64	9850	2.7	27.50	3472	5850	7380	9000						
			72	8753	2.7	24.20	3380	5850	7416	9000						
			82	7691	2.8	21.37	3278	5850	7445	9000						
			85	7416	2.7	20.54	3247	5850	7394	9000						
			96	6567	2.8	18.14	3152	5675	7250	9000						
		37		17036	1.2	46.91	3479	2446	6066	6010				SK 972 - 132M/4 <i>SK 972 - 132MH/4</i>	367	54 / 55
			43	14664	1.4	39.59	3407	2522	6113	6021						
			48	13133	1.5	36.41	3389	2655	6140	6147						
			56	11257	2.0	30.73	3292	2684	6170	6089						
			66	9549	2.4	26.57	3182	2689	6192	6010						
			77	8186	2.4	22.62	3132	2790	6208	6068						
			78	8080	2.7	22.53	3074	2680	6208	5886						
			85	7416	2.5	20.37	3067	2790	6215	6010						
			98	6434	2.6	17.77	2972	2768	6224	5895						
		35		* 18019	* 0.8	49.43	1224	4192	3713	7875						
		40		* 15762	* 0.9	43.75	1609	4239	4064	7875						
		43		14664	1.0	39.91	1751	4275	4210	7875						
		49		12868	1.2	35.32	1942	4246	4415	7875						
		55		11461	1.3	31.42	2066	4232	4552	7875						
			66	9549	1.6	26.49	2198	4147	4707	7875						
			74	8523	1.7	23.38	2259	4073	4777	7700						
			89	7080	2.0	19.72	2295	3944	4860	7409						
			104	6062	2.2	16.69	2230	3827	4910	7153						
		47		13417	1.0	36.68	1769	594	2538	3278				SK 872 - 132M/4 <i>SK 872 - 132MH/4</i>	265	54 / 55
		54		11673	1.2	31.83	2320	709	3080	3357						
		61		10337	1.3	28.34	2399	783	3434	3418						
			70	9009	1.5	24.90	2410	990	4331	3614						
			79	7983	1.7	22.16	2356	1031	4527	3614						
			92	6850	1.9	18.77	2367	1226	5022	3818						
			95	6638	1.9	18.32	2304	1143	4993	3674						
			104	6062	2.0	16.78	2322	1276	5033	3823						
			114	5531	2.1	15.25	2293	1307	5040	3818						
			120	5257	2.2	14.56	2250	1289	5045	3762						
			132	4779	2.3	13.23	2214	1316	5051	3751						
			151	4177	2.4	11.61	2156	1343	5056	3722						
			169	3735	2.4	10.34	2086	1330	5060	3650						
			181	3487	2.6	9.64	2068	1357	5063	3668						
			204	3089	2.6	8.58	2003	1343	5067	3580						
			232	2717	2.8	7.58	1953	1357	5069	3546						
		70		* 9009	* 0.8	25.13	20	104	1121	1073				SK 773 - 132M/4 <i>SK 773 - 132MH/4</i>	194	52 / 53
		78		* 8080	* 0.9	22.37	43	209	1247	1202						
		89		7080	1.0	19.61	101	431	1366	1330						
		100		6301	1.1	17.50	122	668	1442	1427						
		112		5629	1.2	15.58	293	740	1503	1490						

* service factor < 1.0

Gearmotors in Italics include an Energy Efficient Motor and have a "H" in the type

I = f_B 0.8 - 1.39

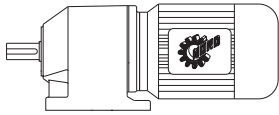
II = f_B 1.4 - 1.99

III = f_B ≥ 2.0

1) with F_A = 0 Lb

2) with F_Q = 0 Lb

** Output speeds may be slightly different than shown. For precise speed calculate with the motor speed and the ratio.



HELICAL GEAR MOTORS

THREE PHASE



Power [HP]	Output speed **			Output torque T ₂ [LB-IN]	Service factor f _B	Red. Ratio i _{total}	Normal bearing		Radial HD bearing	Axial HD bearing	Type	Weight approx. Mounting position B3 [LBS]	Dimensions page			
	n ₂ [RPM]						F _{QN} ¹⁾ OHL	F _{AN} ²⁾ Thrust	F _{QvL} ¹⁾ OHL	F _{AL} ²⁾ Thrust						
	AGMA						[LBS]	[LBS]	[LBS]	[LBS]						
I	II	III														
10.0	70			* 9009	* 0.8	24.72	160	131	1571	1404	SK 772 - 132M/4 SK 772 - 132MH/4	191	52 / 53			
	73			* 8638	* 0.8	23.62	191	137	1908	1481						
	83			7593	1.0	21.02	240	142	2358	1586						
	94			6708	1.0	18.53	260	154	2558	1607						
	109			5788	1.1	15.89	271	164	2687	1746						
	110			5735	0.8	15.66	280	177	2689	1904						
	128			4929	1.3	13.54	287	202	2725	2003						
		144		4381	1.4	12.10	320	304	2745	2050						
		170		3708	1.6	10.23	740	691	2765	2106						
		192		3283	1.7	9.11	855	815	2779	2086						
		216		2921	1.9	8.10	1049	997	2788	2097						
			245	2575	2.1	7.14	1078	1028	2795	2054						
			256	2460	2.1	6.83	1154	1107	2797	2097						
		94		* 6708	* 0.8	18.45	86	81	864	770	SK 673 - 132M/4 SK 673 - 132MH/4	179	52 / 53			
		106		* 5947	* 0.9	16.42	103	98	981	884						
		100		* 6301	* 0.8	17.42	35	20	1208	1242	SK 672 - 132M/4 SK 672 - 132MH/4	179	52 / 53			
		113		* 5576	* 0.8	15.44	70	78	1537	1321						
		125		* 5045	* 0.8	13.87	122	131	1935	1431						
		144		4381	1.1	12.09	223	160	2225	1544						
		166		3797	1.3	10.52	227	169	2257	1636						
		186		3390	1.4	9.33	231	169	2275	1636						
		209		3018	1.5	8.31	234	172	2291	1685						
		220		2867	1.7	7.93	240	172	2295	1685						
		236		2673	1.7	7.37	242	185	2302	1721						
			278	2266	2.0	6.26	242	209	2315	1737						
			317	1991	2.1	5.49	403	387	2322	1746						
			362	1743	2.2	4.80	556	542	2327	1755						
			414	1522	2.3	4.20	601	587	2331	1719						
			443	1425	2.4	3.93	691	677	2333	1737						
			504	1248	2.4	3.45	671	677	2336	1703						
			598	1053	2.4	2.91	648	693	2248	1658						
		166		* 3797	* 0.9	10.45	39	340	-	3375	SK 572 - 132M/4 SK 572 - 132MH/4	161	52 / 53			
		188		3354	1.0	9.22	44	342	437	3375						
		208		3036	1.1	8.34	74	343	590	3375						
		241		2620	1.2	7.23	101	351	941	3375						
		276		2283	1.3	6.30	130	356	1127	3375						
			310	2036	1.5	5.61	142	360	1330	3375						
			361	1743	1.6	4.82	183	378	1508	3375						
			412	1531	1.8	4.23	190	378	1656	3375						
			479	1319	2.1	3.63	290	446	1782	3375						
		548	1151	1.9	3.17	286	423	1730	3375							
		637	991	2.2	2.73	367	468	1811	3375							
	241		* 2620	* 0.8	7.23	92	330	887	3263	SK 472 - 132M/4 SK 472 - 132MH/4	161	50 / 51				
	276		* 2283	* 0.9	6.30	98	332	1116	3263							
	310		2036	1.0	5.61	113	337	1359	3263							
	361		1743	1.1	4.82	118	339	1562	3263							
	412		1531	1.2	4.23	133	342	1746	3263							
		479	1319	1.4	3.63	272	412	1899	3263							
		548	1151	1.5	3.17	266	392	1832	3263							
		637	991	1.7	2.73	367	441	1940	3263							
15.0	30			* 31524	* 0.9	59.18	2135	5450	5576				9000	SK 973 - 160M/4 SK 973 - 160MH/4	441	54 / 55
	41			23063	1.2	42.27	3168	5618	6568				9000			
		47		20125	1.4	37.09	3278	5618	6813	9000						
		49		19302	1.5	35.88	3269	5618	6876	9000						

* service factor < 1.0

Gearmotors in Italics include an Energy Efficient Motor and have a "H" in the type

I	II	III	= f _B 0.8 - 1.39
			= f _B 1.4 - 1.99
			= f _B ≥ 2.0

1) with F_A = 0 Lb

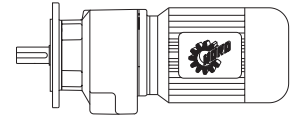
2) with F_Q = 0 Lb

** Output speeds may be slightly different than shown. For precise speed calculate with the motor speed and the ratio.



HELICAL GEAR MOTORS

THREE PHASE



Power [HP]	Output speed **			Output torque T ₂ [LB-IN]	Service factor f _B	Red. Ratio i _{total}	Standard bearing		Radial HD bearing	Axial HD bearing	Type	Weight approx. Mounting position B3 [LBS]	Dimensions page								
	n ₂ [RPM]						F _{Q N} ¹⁾ OHL	F _{A N} ²⁾ Thrust	F _{Q VL} ¹⁾ OHL	F _{A AL} ²⁾ Thrust											
	I	II	III				[LBS]	[LBS]	[LBS]	[LBS]											
15.0	56	64	72	16886	1.7	30.80	3229	5564	6905	9000	SK 973 - 160M/4 <i>SK 973 - 160MH/4</i>	441	54 / 55								
				14780	1.9	27.50	3175	5468	6881	9000											
				13133	2.1	24.20	3119	5398	6838	9000											
				11532	2.2	21.37	3049	5254	6773	9000											
				11124	2.2	20.54	3026	5236	6768	9000											
	48	56	66	77	19700	1.0	36.41	2853	1667	5594	4667	SK 972 - 160M/4 <i>SK 972 - 160MH/4</i>	442	54 / 55							
					16886	1.3	30.73	2828	1820	6068	4811										
					14328	1.6	26.57	2788	1935	6120	4871										
					12284	2.0	22.62	2813	2169	6154	5128										
					12125	1.8	22.53	2723	2018	6156	4903										
					85	11124	2.1	20.37	2788	2232	6172				5162						
					98	9647	2.3	17.77	2727	2286	6190				5171						
					113	8372	2.5	15.46	2666	2324	6206				5162						
					126	7505	2.7	13.96	2617	2333	6215				5121						
					142	6664	2.9	12.41	2554	2342	6221				5072						
					149	6345	2.9	11.79	2516	2315	6224				5015						
					168	5629	3.3	10.47	2455	2309	6228				4959						
					49	104			* 19302	* 0.8	35.32				902	2909	3474	7106	SK 873 - 160M/4 <i>SK 873 - 160MH/4</i>	343	54 / 55
					55				* 17196	* 0.9	31.42				1384	3029	3850	7083			
					66				14328	1.0	26.49				1791	3152	4250	7004			
	74	12779	1.2	23.38	1951				3193	4424	6928										
	89	10629	1.3	19.72	2043				3218	4624	6761										
	70	104			9098	1.5	16.69	2012	3186	4739	6602	SK 872 - 160M/4 <i>SK 872 - 160MH/4</i>	340	54 / 55							
	79				13514	1.0	24.90	296	243	464	2345										
	95				11974	1.1	22.16	410	251	1037	2444										
	104				9956	1.2	18.32	1481	495	2113	2682										
					9098	1.3	16.78	2014	729	3218	2993										
					8292	1.4	15.25	2009	808	3573	3056										
					7885	1.6	14.56	1973	799	3510	3026										
					7169	1.7	13.23	1962	869	3814	3069										
					6266	1.9	11.61	1937	952	4156	3123										
					5593	2.1	10.34	1892	970	4246	3103										
					5222	2.2	9.64	1895	1031	4516	3164										
					4637	2.4	8.58	1845	1042	4545	3123										
					4080	2.7	7.58	1816	1098	4813	3155										
					3655	2.9	6.75	1769	1096	4770	3103										
					3425	2.9	6.34	1748	1098	4772	3085										
		314	3.0	5.57	1699	1114	4662	3056													
		356	3.1	4.92	1654	1118	4545	3006													
	170	104			5567	1.0	10.23	270	147	2696	1510	SK 772 - 160M/4 <i>SK 772 - 160MH/4</i>	266	52 / 53							
192	4929				1.1	9.11	278	153	2725	1553											
216	4381				1.3	8.10	285	167	2745	1618											
	3859				1.4	7.14	291	168	2761	1618											
	3690				1.4	6.83	290	172	2768	1692											
	3257				1.6	6.02	303	191	2779	1672											
	2797				1.8	5.16	484	452	2781	1703											
	2363				2.1	4.37	736	707	2732	1721											
	2062				2.3	3.81	704	671	2621	1656											
	1743				2.5	3.22	884	815	2563	1658											
	1522				2.3	2.81	851	790	2468	1604											
	1292				2.5	2.38	828	833	2405	1591											
20.0	41				47	49	* 30754	* 0.9	42.27	2266	4271				5351	9000	SK 973 - 160L/4 <i>SK 973 - 160LH/4</i>	474	54 / 55		
							26833	1.1	37.09	2795	4446				5643	9000					
							25736	1.1	35.88	2840	4460				5697	9000					

* service factor < 1.0

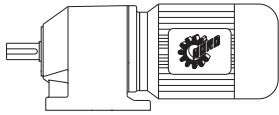
Gearmotors in Italics include an Energy Efficient Motor and have a "H" in the type

I	= f _B 0.8 - 1.39
II	= f _B 1.4 - 1.99
III	= f _B ≥ 2.0

1) with F_A = 0 Lb

2) with F_Q = 0 Lb

** Output speeds may be slightly different than shown. For precise speed calculate with the motor speed and the ratio.



HELICAL GEAR MOTORS

THREE PHASE



Power [HP]	Output speed **			Output torque T ₂ [LB-IN]	Service factor f _B	Red. Ratio i _{total}	Normal bearing		Radial HD bearing	Axial HD bearing	Type	Weight approx. Mounting position B3 [LBS]	Dimen- sions page						
	n ₂ [RPM]						F _{QN} ¹⁾ OHL	F _{AN} ²⁾ Thrust	F _{QvL} ¹⁾ OHL	F _{AL} ²⁾ Thrust									
	I	II	III				[LBS]	[LBS]	[LBS]	[LBS]									
20.0	56	AGMA		22514	1.3	30.80	2860	4583	5875	9000	SK 973 - 160L/4 SK 973 - 160LH/4	474	54 / 55						
				19700	1.4	27.50	2858	4599	6003	9000									
				17514	1.6	24.20	2842	4606	6059	9000									
				15381	1.7	21.37	2810	4583	6082	9000									
				14833	1.7	20.54	2799	4583	6089	9000									
				13133	1.8	18.14	2761	4511	6073	9000									
				77	1.5	22.62	2477	1564	5288	4210									
				85	1.6	20.37	2480	1670	5758	4340									
				98	1.7	17.77	2471	1802	6145	4446									
				113	1.9	15.46	2444	1901	6172	4525									
				126	2.0	13.96	2417	1960	6185	4570									
				142	2.2	12.41	2381	2007	6199	4570									
				149	2.2	11.79	2356	1996	6203	4525									
				168	2.4	10.47	2309	2021	6215	4525									
				194	2.4	9.05	2237	2018	6221	4439									
	204	2.3	8.64	2201	1982	6226	4390												
	66	AGMA		* 19107	* 0.8	26.49	959	2187	3512	6143	SK 873 - 160L/4 SK 873 - 160LH/4	376	54 / 55						
				* 17036	* 0.9	23.38	1411	2324	3875	6152									
				14169	1.0	19.72	1773	2498	4271	6131									
				12125	1.1	16.69	1782	2574	4417	6073									
				104	1.0	16.78	227	222	675	2147									
				114	1.1	15.25	700	239	1289	2300									
				120	1.2	14.56	707	245	1280	2275									
				132	1.3	13.23	1242	425	1818	2394									
				151	1.4	11.61	1717	560	2455	2529									
				169	1.6	10.34	1694	608	2673	2552									
	181	AGMA		6965	1.6	9.64	1712	709	3119	2666	SK 872 - 160L/4 SK 872 - 160LH/4	373	54 / 55						
				6177	1.8	8.58	1681	745	3258	2678									
				5434	2.0	7.58	1679	851	3717	2765									
				4868	2.2	6.75	1640	862	3778	2743									
				4567	2.2	6.34	1622	875	3841	2738									
				4018	2.3	5.57	1593	916	4010	2747									
				3540	2.4	4.92	1562	947	4136	2743									
				3044	2.1	4.23	1472	887	3863	2601									
				2726	2.2	3.78	1445	907	3940	2599									
				2398	2.3	3.33	1409	923	3956	2570									
				2115	2.4	2.94	1377	932	3857	2545									
				170	AGMA		* 7416	* 0.8	10.23	80				76	659	925	SK 772 - 160L/4 SK 772 - 160LH/4	299	52 / 53
							* 6567	* 0.8	9.11	101				103	1060	1015			
							5841	1.0	8.10	143				122	1598	1134			
							5151	1.0	7.14	198				163	1773	1170			
	4929	1.1	6.83				216	198	2225	1283									
	4345	1.2	6.02				223	201	2336	1296									
	3735	1.4	5.16				227	209	2500	1375									
	3151	1.6	4.37				235	219	2495	1447									
2752	1.7	3.81	241				225	2396	1395										
2328	1.8	3.22	250				230	2374	1436										
2027	1.7	2.81	277				261	2291	1397										
1717	1.9	2.38	495				479	2255	1418										
25.0	AGMA		* 33542				* 0.8	37.09	1735	3278	4381	9000	SK 973 - 180M/4 SK 973 - 180MH/4	536	54 / 55				
			28143				1.0	30.80	2482	3593	4831	9000							
			24630				1.1	27.50	2525	3746	5094	9000							
			21895	1.3	24.20	2558	3861	5261	9000										
			19222	1.3	21.37	2558	3935	5393	8917										

* service factor < 1.0

Gearmotors in Italics include an Energy Efficient Motor and have a "H" in the type

I	= f _B 0.8 - 1.39
II	= f _B 1.4 - 1.99
III	= f _B ≥ 2.0

1) with F_A = 0 Lb

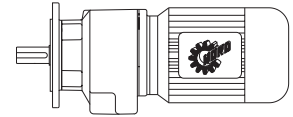
2) with F_Q = 0 Lb

** Output speeds may be slightly different than shown. For precise speed calculate with the motor speed and the ratio.



HELICAL GEAR MOTORS

THREE PHASE



Power [HP]	Output speed **			Output torque T ₂ [LB-IN]	Service factor f _B	Red. Ratio i _{total}	Standard bearing		Radial HD bearing	Axial HD bearing	Type	Weight approx. Mounting position B3 [LBS]	Dimensions page								
	n ₂ [RPM]						F _{Q N} ¹⁾ OHL	F _{A N} ²⁾ Thrust	F _{Q VL} ¹⁾ OHL	F _{A AL} ²⁾ Thrust											
	I	II	III				[LBS]	[LBS]	[LBS]	[LBS]											
25.0	85			18541	1.3	20.54	2558	3935	5432	8874	SK 973 - 180M/4 <i>SK 973 - 180MH/4</i>	536	54 / 55								
				16417	1.4	18.14	2547	3949	5486	8732											
					16080	1.4	17.77	2203	1316	4444	3728	SK 972 - 180M/4 <i>SK 972 - 180MH/4</i>	537	54 / 55							
					113	1.5	15.46	2216	1487	5103	3899										
					126	1.6	13.96	2214	1584	5506	4007										
					142	1.7	12.41	2207	1681	5882	4084										
					149	1.8	11.79	2178	1661	5841	4046										
						168	2.0	10.47	2160	1733	6134				4084						
						194	2.2	9.05	2108	1753	6118				4057						
						204	2.4	8.64	2072	1733	6035				4007						
						229	2.6	7.68	2039	1766	5918				4007						
						262	2.9	6.75	2000	1791	5774				4007						
					151			10443	1.1	11.61	430				200	955	1935	SK 872 - 180M/4 <i>SK 872 - 180MH/4</i>	435	54 / 55	
					169			9328	1.3	10.34	500				273	1019	2000				
					181			8708	1.3	9.64	1112				380	1634	2167				
						204		7726	1.5	8.58	1422				443	1928	2212				
						232		6797	1.6	7.58	1541				594	2599	2378				
						259		6089	1.8	6.75	1508				626	2745	2394				
			276	5708	2.0	6.34	1499	653	2885	2401											
			314	5018	2.2	5.57	1487	722	3166	2453											
			356	4425	2.4	4.92	1465	776	3402	2480											
			414	3806	2.2	4.23	1382	718	3143	2345											
			463	3407	2.4	3.78	1361	754	3305	2360											
			526	3000	2.5	3.33	1337	788	3449	2372											
		596	2646	2.6	2.94	1310	812	3539	2360												
30.0	56			* 33780	* 0.8	30.80	1679	2624	3663	8296	SK 973 - 180L/4 <i>SK 973 - 180LH/4</i>	558	54 / 55								
				29559	1.0	27.50	2174	2903	4183	8350											
				72	1.0	24.20	2246	3119	4466	8363											
				82	1.1	21.37	2300	3278	4698	8350											
				85	1.1	20.54	2315	3317	4750	8309											
				96	1.2	18.14	2331	3386	4896	8255											
	98				19302	1.1	17.77	1928	842	2462	3011	SK 972 - 180L/4 <i>SK 972 - 180LH/4</i>	559	54 / 55							
					113	1.3	15.46	1985	1064	3443	3274										
						1.4	13.96	2005	1213	4032	3440										
						1.5	12.41	2025	1343	4583	3580										
						1.5	11.79	1998	1343	4583	3553										
						1.6	10.47	1998	1442	5009	3656										
						1.8	9.05	1969	1492	5229	3674										
						2.0	8.64	1935	1474	5159	3627										
						2.2	7.68	1924	1539	5441	3674										
						2.4	6.75	1895	1595	5582	3697										
						300	2.7	5.89	1861	1636	5465				3710						
						325	2.8	5.42	1782	1537	5270				3546						
						366	2.9	4.82	1757	1564	5166				3546						
						418	3.0	4.23	1715	1584	5047				3519						
					151				* 12523	* 0.9	11.61				403	140	1229	1341	SK 872 - 180L/4 <i>SK 872 - 180LH/4</i>	457	54 / 55
									1195	1.0	10.34				557	177	1247	1456			
									181	1.1	9.64				682	220	1301	1676			
									204	1.2	8.58				68	23	538	1764			
232	1.3	7.58	981	340					1463	1994											
	1.5	6.75	1226	392					1710	2036											
	1.7	6.34	1370	434					1877	2061											
	1.8	5.57	1373	527					2306	2149											

* service factor < 1.0

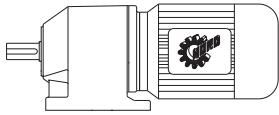
Gearmotors in Italics include an Energy Efficient Motor and have a "H" in the type

I = f_B 0.8 - 1.39
 II = f_B 1.4 - 1.99
 III = f_B ≥ 2.0

1) with F_A = 0 Lb

2) with F_a = 0 Lb

** Output speeds may be slightly different than shown. For precise speed calculate with the motor speed and the ratio.



HELICAL GEAR MOTORS

THREE PHASE



Power [HP]	Output speed **			Output torque T ₂ [LB-IN]	Service factor f _B	Red. Ratio i _{total}	Normal bearing		Radial HD bearing	Axial HD bearing	Type	Weight approx. Mounting position B3 [LBS]	Dimensions page	
	n ₂ [RPM]						F _{QN} ¹⁾ OHL	F _{AN} ²⁾ Thrust	F _{QvL} ¹⁾ OHL	F _{AL} ²⁾ Thrust				
	I	II	III				[LBS]	[LBS]	[LBS]	[LBS]				
30.0	414		356	5310	2.0	4.92	1368	601	2639	2216	SK 872 - 180L/4 <i>SK 872 - 180LH/4</i>	457	54 / 55	
				4567	1.8	4.23	1287	549	2408	2088				
				463	4089	2.0	3.78	1278	601	2642				2129
				526	3593	2.1	3.33	1265	655	2869				2165
				596	3177	2.2	2.94	1247	695	3051				2185
40.0	126 142 149 168 194 204 229 262 300 325 366 418 476 584		20019	1.0	13.96	790	302	934	2315	SK 972 - 200L/4 <i>SK 972 - 200LH/4</i>	757	54 / 55		
			17762	1.1	12.41	1636	666	1901	2585					
			16930	1.1	11.79	1620	686	1946	2585					
			15010	1.2	10.47	1672	869	2714	2788					
			13001	1.4	9.05	1676	981	3209	2903					
			12363	1.5	8.64	1656	970	3184	2871					
			11009	1.6	7.68	1679	1087	3677	3011					
			9629	1.8	6.75	1683	1202	4140	3114					
			8408	2.0	5.89	1685	1289	4502	3202					
			7761	2.1	5.42	1595	1179	4100	3011					
			6894	2.4	4.82	1586	1251	4363	3076					
			6036	2.6	4.23	1575	1305	4606	3110					
			5301	2.7	3.70	1555	1348	4691	3125					
			4319	2.9	3.02	1512	1391	4518	3119					
		50.0	126 142 149 168 194 204 229 262 300 325 366 418 476 584		* 25019	* 0.8	13.96	121	125				1107	1195
	* 22205			* 0.9	12.41	136	173	1230	1589					
	* 21160			* 0.9	11.79	163	198	1277	1607					
	18762			1.0	10.47	185	244	1354	1928					
	16249			1.1	9.05	959	374	1485	2133					
	15452			1.2	8.64	968	374	2176	2133					
	13771			1.3	7.68	1413	639	2371	2338					
	12036			1.5	6.75	1463	808	2574	2536					
	10505			1.6	5.89	1490	950	3161	2682					
	9700			1.7	5.42	1400	824	2693	2484					
	8611			1.9	4.82	1418	932	3143	2603					
	7540			2.1	4.23	1427	1033	3555	2700					
	6620			2.2	3.70	1427	1107	3863	2765					
	5399			2.3	3.02	1406	1193	4205	2833					

* service factor < 1.0

higher speeds on request

Gearmotors in Italics include an Energy Efficient Motor and have a "H" in the type

I	= f _B 0.8 - 1.39
II	= f _B 1.4 - 1.99
III	= f _B ≥ 2.0

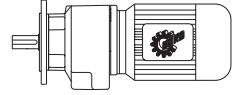
1) with F_A = 0 Lb

2) with F_Q = 0 Lb

** Output speeds may be slightly different than shown. For precise speed calculate with the motor speed and the ratio.



EXPLANATORY NOTES



SHAFT / FLANGE TOLERANCES GEARED MOTORS AND GEARBOXES

All tolerances and dimensions are subject to change.

OUTPUT AND INPUT SHAFT ENDS

Diameter tolerance :

Diameter to 1.750 inch
+ .0000
- .0005

Diameter over 1.750 inch
+ .0000
- .0010

FLANGES

Diameter tolerance of flange pilot (AK):

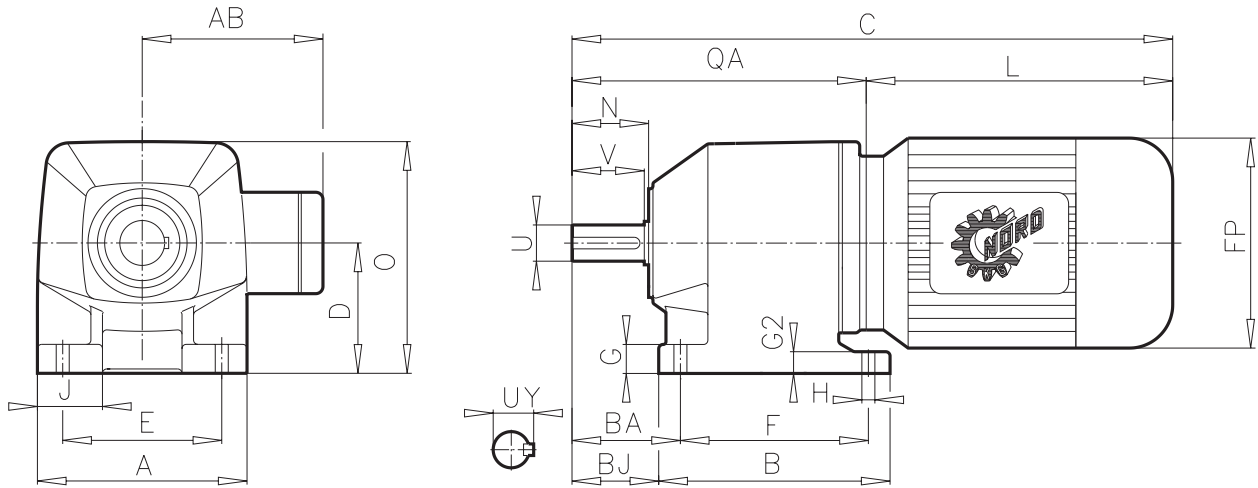
Diameter to 9.0551 inch
+ .0010
- .0010

Diameter over 9.0551 inch
+ .0000
- .0020

HELICAL GEAR MOTORS



DOUBLE AND TRIPLE REDUCTION



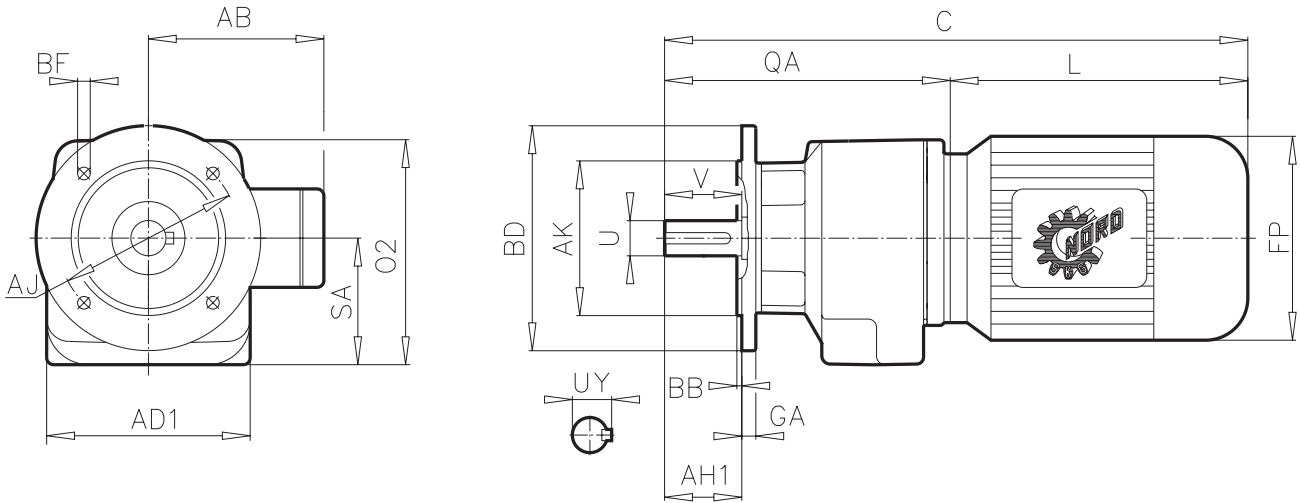
Type	Mounting dimensions (foot)				Outline dimensions										Shaft dimensions		
	A	E	G	H	AB	BA	BJ	C	D	FP	L	N	O	QA	U	UY	V
SK 172 - 63 S/L - 71 S/L - 80 S/L - 90 S/L	5.31	4.33	0.47	0.35	4.33			14.41		5.12	7.56				0.750	0.83	1.57
					4.69	2.28	1.79	15.24	2.95	5.71	8.39	1.65	5.51	6.85			
					5.51			15.94		6.50	9.09						
					5.71			17.72		7.28	10.87						
SK 272 - 63 S/L - 71 S/L - 80 S/L - 90 S/L - 100 L	5.71	4.33	0.79	0.35	4.33			15.73		5.12	7.56			8.17	1.000	1.11	1.97
					4.69			16.56		5.71	8.39						
					5.51	2.95	2.36	17.26	3.54	6.50	9.09	2.09	6.30				
					5.71			19.63		7.28	10.87			8.76			
SK 273 - 63 S/L - 71 S/L - 80 S/L	5.71	4.33	0.71	0.35	4.33	2.95	2.52	15.75	3.54	5.12	7.56	2.09	6.10	8.19	1.000	1.11	1.97
					4.69			16.58		5.71	8.39						
					5.51			17.28		6.50	9.09						
					5.71			19.63		7.28	10.87			8.76			
SK 372 - 63 S/L - 71 S/L - 80 S/L - 90 S/L - 100 L	5.71	4.33	0.79	0.35	4.33			15.73		5.12	7.56			8.17	1.000	1.11	1.97
					4.69			16.56		5.71	8.39						
					5.51	2.95	2.36	17.26	3.54	6.50	9.09	2.09	6.30				
					5.71			19.63		7.28	10.87			8.76			
SK 373 - 63 S/L - 71 S/L - 80 S/L - 90 S/L - 100 L	5.83	4.33	0.79	0.35	4.33			15.73		5.12	7.56			8.17	1.000	1.11	1.97
					4.69			16.56		5.71	8.39						
					5.51	2.95	2.36	17.26	3.54	6.50	9.09	2.09	6.30				
					5.71			19.63		7.28	10.87			8.76			
SK 472 - 63 S/L - 71 S/L - 80 S/L - 90 S/L - 100 L - 112 M - 132 S/M	7.48	5.31	0.98	0.53	4.33			17.23		5.12	7.56			9.67	1.250	1.36	2.36
					4.69			18.06		5.71	8.39						
					5.51	3.54	2.85	18.76	4.53	6.50	9.09	2.52	8.27				
					5.71			21.09		7.28	10.87			10.22			
SK 473 - 63 S/L - 71 S/L - 80 S/L - 90 S/L - 100 L	7.48	5.31	0.98	0.53	4.33			17.23		5.12	7.56			9.67	1.250	1.36	2.36
					4.69	3.54	2.85	18.06	4.53	5.71	8.39	2.52	7.87				
					5.51			18.76		6.50	9.09						
					5.71			21.09		7.28	10.87			10.22			

See page 78 for metric shafts.
 Technical design may be subject to change. DXF files available upon request.

HELICAL GEAR MOTORS



DOUBLE AND TRIPLE REDUCTION



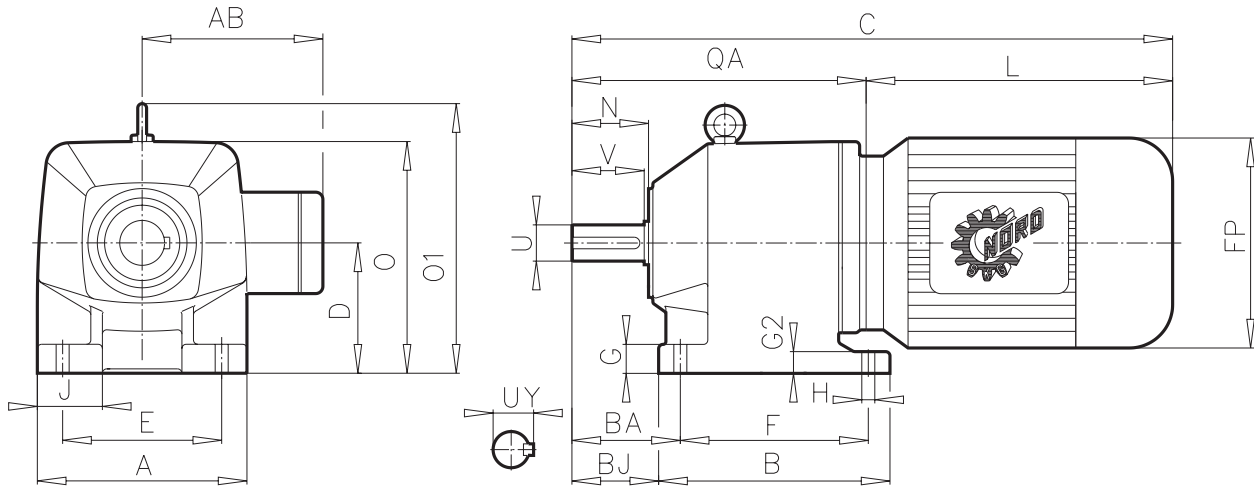
Type	Mounting dimensions (bolt-on B5 flange)						Outline dimensions									Shaft dimensions			
	AJ	AK	BB	BD	BF	GA	AB	AD1	AH1	C	FP	L	O2	QA	SA	U	UY	V	
	Standard shown in bold. Must specify BD dimension.																		
SK 172 F - 63 S/L	3.94	3.150	0.12	4.72	0.26	0.39	4.33				14.41	5.12	7.56			0.750	0.83	1.57	
- 71 S/L	4.53	3.740	0.12	5.51	0.35	0.39	4.69	5.31	1.57		15.24	5.71	8.39	5.59	6.85	3.03			
- 80 S/L	5.12	4.331	0.14	6.30	0.35	0.39	5.51				15.94	6.50	9.09						
- 90 S/L	6.5	5.118	0.14	7.87	0.43	0.47	5.71				17.72	7.28	10.87						
																		3/16 * 3/16 * 1	
SK 272 F - 63 S/L	3.94	3.150	0.12	4.72	0.26	0.39	4.33				15.73	5.12	7.56	8.17		1.000	1.11	1.97	
- 71 S/L	4.53	3.740	0.12	5.51	0.35	0.39	4.69				16.56	5.71	8.39						
- 80 S/L	5.12	4.331	0.14	6.30	0.35	0.39	5.51	5.71	1.97		17.26	6.50	9.09	6.38	3.62				
- 90 S/L	6.50	5.118	0.14	7.87	0.43	0.47	5.71				19.63	7.28	10.87	8.76					
- 100 L	8.46	7.087	0.16	9.84	0.53	0.63	6.06				20.77	7.99	12.01					1/4 * 1/4 * 1-1/4	
SK 273 F - 63 S/L	3.94	3.150	0.12	4.72	0.26	0.39	4.33	5.83	1.97		16.54	5.12	7.56	6.18	8.98	3.62	1.000	1.11	1.97
- 71 S/L	4.53	3.740	0.12	5.51	0.35	0.39	4.69				17.37	5.71	8.39						
- 80 S/L	5.12	4.331	0.14	6.30	0.35	0.39	5.51				18.05	6.50	9.09						
	6.50	5.118	0.14	7.87	0.43	0.47	5.71				20.42	7.28	10.87	9.55					
	8.46	7.087	0.16	9.84	0.53	0.63	6.06				21.56	7.99	12.01					1/4 * 1/4 * 1-1/4	
SK 372 F - 63 S/L	3.94	3.150	0.12	4.72	0.26	0.39	4.33				15.73	5.12	7.56	8.17		1.000	1.11	1.97	
- 71 S/L	4.53	3.740	0.12	5.51	0.35	0.39	4.69				16.56	5.71	8.39						
- 80 S/L	5.12	4.331	0.14	6.30	0.35	0.39	5.51	5.71	1.97		17.26	6.50	9.09	6.38	3.62				
																		1/4 * 1/4 * 1-1/4	
SK 373 F - 63 S/L	3.94	3.150	0.12	4.72	0.26	0.39	4.33				16.52	5.12	7.56	8.96		1.000	1.11	1.97	
- 71 S/L	4.53	3.740	0.12	5.51	0.35	0.39	4.69	5.83	1.97		17.35	5.71	8.39	6.38	3.62				
- 80 S/L	5.12	4.331	0.14	6.30	0.35	0.39	5.51				18.05	6.50	9.09						
- 90 S/L	6.50	5.118	0.14	7.87	0.43	0.47	5.71				20.42	7.28	10.87	9.55					
- 100 L	8.46	7.087	0.16	9.84	0.53	0.63	6.06				21.56	7.99	12.01					1/4 * 1/4 * 1-1/4	
SK 472 F - 63 S/L	5.12	4.331	0.14	6.30	0.35	0.39	4.33				17.23	5.12	7.56	9.67		1.250	1.36	2.36	
- 71 S/L	6.50	5.118	0.14	7.87	0.43	0.47	4.69				18.06	5.71	8.39						
- 80 S/L	8.46	7.087	0.16	9.84	0.53	0.63	5.51	7.48	2.36		18.76	6.50	9.09	8.35	4.61				
- 90 S/L	10.43	9.055	0.16	11.81	0.53	0.79	5.71				21.09	7.28	10.87	10.22					
- 100 L							6.06				22.23	7.99	12.01						
- 112 M							6.54				23.36	8.98	12.83	10.53					
- 132 S/M							7.64				26.71	10.47	16.18					1/4 * 1/4 * 1-5/8	
SK 473 F - 63 S/L	5.12	4.331	0.14	6.30	0.35	0.39	4.33				17.86	5.12	7.56	10.30		1.250	1.36	2.36	
- 71 S/L	6.50	5.118	0.14	7.87	0.43	0.47	4.69				18.69	5.71	8.39						
- 80 S/L	8.46	7.087	0.16	9.84	0.53	0.63	5.51	7.48	2.36		19.39	6.50	9.09	8.35	4.61				
- 90 S/L	10.43	9.055	0.16	11.81	0.53	0.79	5.71				21.72	7.28	10.87	10.85					
- 100 L							6.06				22.86	7.99	12.01					1/4 * 1/4 * 1-5/8	

See page 78 for metric shafts.
Technical design may be subject to change. DXF files available upon request.

HELICAL GEAR MOTORS



DOUBLE AND TRIPLE REDUCTION



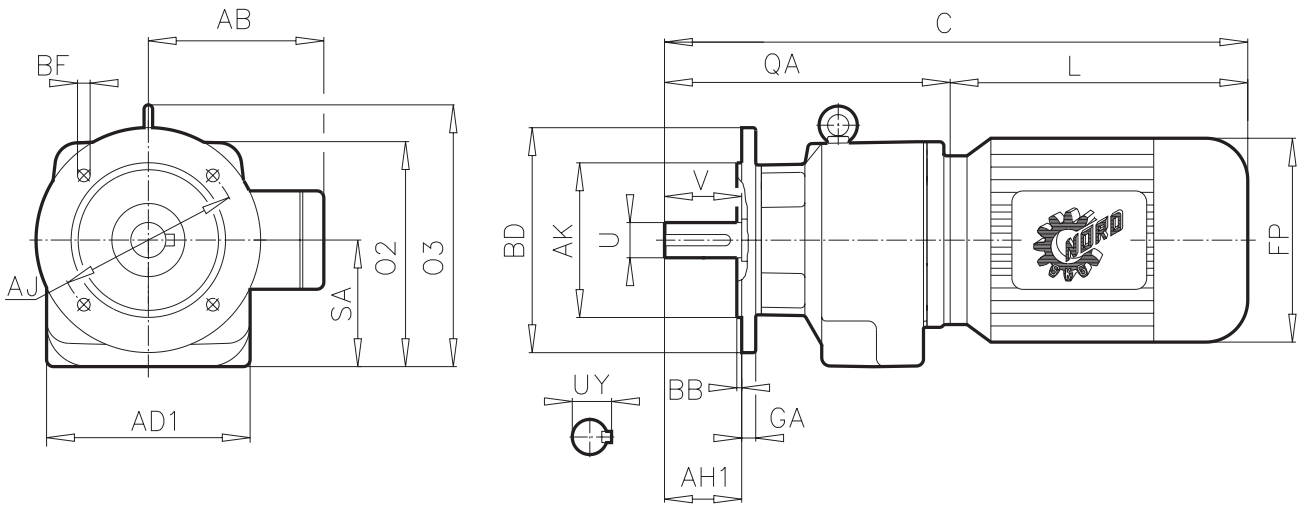
Type	Mounting dimensions (foot)				Outline dimensions											Shaft dimensions		
	A	E	G	H	AB	BA	BJ	C	D	FP	L	N	O	O1	QA	U	UY	V
	B	F	G2	J														
SK 572																		
- 80 S/L					5.51			19.15		6.50	9.09				10.06	1.375	1.52	2.75
- 90 S/L	7.48	5.31	0.98	0.53	5.71			21.48		7.28	10.87				10.61			
- 100 L					6.06	3.94	3.25	22.62	4.53	7.99	12.01	2.91	8.27	--				
- 112 M	7.87	6.50	0.79	2.36	6.54			23.76		8.98	12.83				10.93			
- 132 S/M					7.64			27.11		10.47	16.18							5/16 * 5/16 * 2-1/8
SK 573																		
- 63 S/L					4.33			17.62		5.12	7.56				10.06	1.375	1.52	2.75
- 71 S/L	7.48	5.31	0.98	0.53	4.69			18.45		5.71	8.39							
- 80 S/L					5.51	3.94	3.25	19.15	4.53	6.50	9.09	2.91	8.27	--				
- 90 S/L	7.87	6.50	0.79	2.36	5.71			21.48		7.28	10.87				10.61			
- 100 L					6.06			22.62		7.99	12.01							
- 112 M					6.54			23.99		8.98	12.83				11.16			
- 132 S/M					7.64			27.34		10.47	16.18							5/16 * 5/16 * 2-1/8
SK 672																		
- 80 S/L					5.51			19.98		6.50	9.09				10.89	1.375	1.52	2.75
- 90 S/L	8.27	5.91	1.18	0.53	5.71			22.31		7.28	10.87				11.44			
- 100 L					6.06	3.94	3.15	23.45	5.12	7.99	12.01	2.91	9.13	10.43				
- 112 M	9.25	7.68	0.98	2.36	6.54			24.58		8.98	12.83				11.75			
- 132 S/M					7.64			27.93		10.47	16.18							5/16 * 5/16 * 2-1/8
SK 673																		
- 63 S/L					4.33			18.45		5.12	7.56				10.89	1.375	1.52	2.75
- 71 S/L	8.27	5.91	1.18	0.53	4.69			19.28		5.71	8.39							
- 80 S/L					5.51	3.94	3.15	19.98	5.12	6.50	9.09	2.91	9.13	10.43				
- 90 S/L	9.25	7.68	0.98	2.36	5.71			22.31		7.28	10.87				11.44			
- 100 L					6.06			23.45		7.99	12.01							
- 112 M					6.54			24.58		8.98	12.83				11.75			
- 132 S/M					7.64			27.93		10.47	16.18							5/16 * 5/16 * 2-1/8
SK 772																		
- 80 S/L					5.51			20.72		6.50	9.09				11.63	1.625	1.79	3.15
- 90 S/L	9.06	6.69	1.18	0.69	5.71			23.06		7.28	10.87				12.19			
- 100 L					6.06	4.53	3.74	24.20	5.51	7.99	12.01	3.31	9.92	11.30				
- 112 M	9.65	8.07	0.98	2.76	6.54			25.33		8.98	12.83				12.50			
- 132 S/M					7.64			28.96		10.47	16.18				12.78			
- 160 M/L					9.21			31.91		12.60	19.13							3/8 * 3/8 * 2-1/4
SK 773																		
- 63 S/L					4.33			19.19		5.12	7.56				11.63	1.625	1.79	3.15
- 71 S/L	9.06	6.69	1.18	0.69	4.69			20.02		5.71	8.39							
- 80 S/L					5.51			20.72		6.50	9.09							
- 90 S/L	9.65	8.07	0.98	2.76	5.71	4.53	3.74	23.06	5.51	7.28	10.87	3.31	9.92	11.30	12.19			
- 100 L					6.06			24.20		7.99	12.01							
- 112 M					6.54			25.33		8.98	12.83				12.50			
- 132 S/M					7.64			28.96		10.47	16.18				12.78			3/8 * 3/8 * 2-1/4

See page 78 for metric shafts. Technical design may be subject to change. DXF files available upon request.

HELICAL GEAR MOTORS



DOUBLE AND TRIPLE REDUCTION



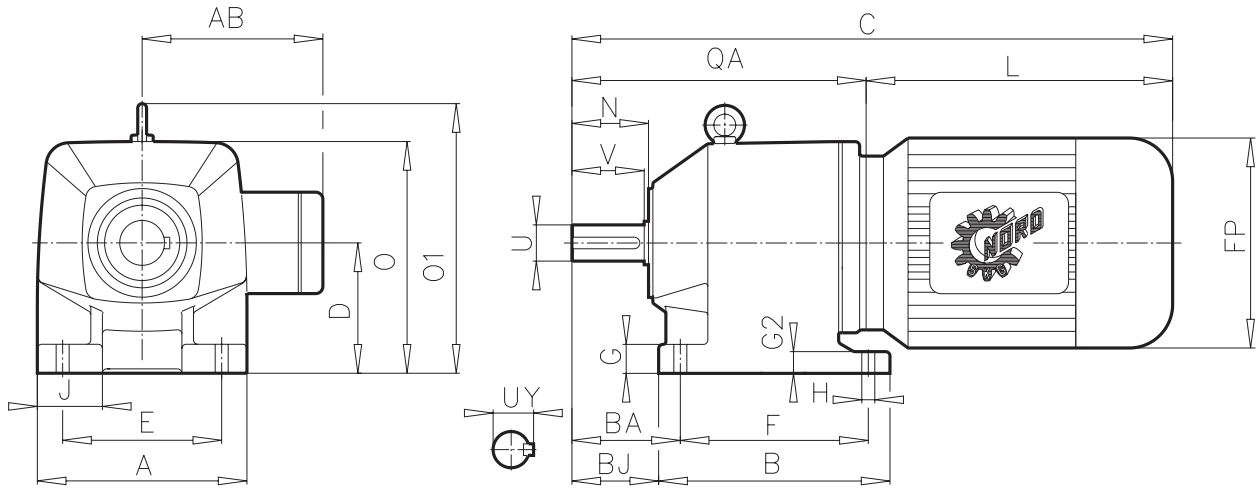
Type	Mounting dimensions (bolt-on B5 flange)						Outline dimensions										Shaft dimensions			
	AJ	AK	BB	BD	BF	GA	AB	AD1	AH1	C	FP	L	O2	O3	QA	SA	U	UY	V	
	Standard shown in bold. Must specify BD dimension.																			
SK 572 F	- 80 S/L	5.12	4.331	0.14	6.30	0.35	0.39	5.51			19.14	6.50	9.09		10.05		1.375	1.52	2.75	
	- 90 S/L	6.50	5.118	0.14	7.87	0.43	0.47	5.71			21.47	7.28	10.87		10.60					
	- 100 L	8.46	7.087	0.16	9.84	0.53	0.63	6.06	7.48	2.76	22.61	7.99	12.01	8.35	--	4.61				
	- 112 M	10.43	9.055	0.16	11.81	0.53	0.79	6.54			23.75	8.98	12.83		10.92					
- 132 S/M							7.64			27.10	10.47	16.18							5/16 * 5/16 * 2-1/8	
SK 573 F	- 63 S/L	5.12	4.331	0.14	6.30	0.35	0.39	4.33			18.25	5.12	7.56		10.69		1.375	1.52	2.75	
	- 71 S/L	6.50	5.118	0.14	7.87	0.43	0.47	4.69			19.08	5.71	8.39							
	- 80 S/L	8.46	7.087	0.16	9.84	0.53	0.63	5.51	7.48	2.76	19.78	6.50	9.09	8.35	--	4.61				
	- 90 S/L	10.43	9.055	0.16	11.81	0.53	0.79	5.71			22.00	7.28	10.87		11.23					
	- 100 L							6.06			23.24	7.99	12.01							
	- 112 M							6.54			24.39	8.98	12.83		11.56					
- 132 S/M							7.64			27.74	10.47	16.18							5/16 * 5/16 * 2-1/8	
SK 672 F	- 80 S/L	6.50	5.118	0.14	7.87	0.43	0.47	5.51			19.97	6.50	9.09		10.88		1.375	1.52	2.75	
	- 90 S/L	8.46	7.087	0.16	9.84	0.53	0.63	5.71	8.27	2.76	22.30	7.28	10.87	9.13	10.43	11.43	5.28			
	- 100 L	10.43	9.055	0.16	11.81	0.53	0.79	6.06			23.44	7.99	12.01							
	- 112 M							6.54			24.58	8.98	12.83		11.75					
- 132 S/M							7.64			27.93	10.47	16.18							5/16 * 5/16 * 2-1/8	
SK 673 F	- 63 S/L	6.50	5.118	0.14	7.87	0.43	0.47	4.33			19.39	5.12	7.56		11.83		1.375	1.52	2.75	
	- 71 S/L	8.46	7.087	0.16	9.84	0.53	0.63	4.69			20.22	5.71	8.39							
	- 80 S/L	10.43	9.055	0.16	11.81	0.53	0.79	5.51	8.27	2.76	20.92	6.50	9.09	9.13	10.43	5.28				
	- 90 S/L							5.71			23.25	7.28	10.87		12.38					
	- 100 L							6.06			24.39	7.99	12.01							
	- 112 M							6.54			25.53	8.98	12.83		12.70					
- 132 S/M							7.64			28.88	10.47	16.18							5/16 * 5/16 * 2-1/8	
SK 772 F	- 80 S/L	6.50	5.118	0.14	7.87	0.43	0.47	5.51			20.72	6.50	9.09		11.63		1.625	1.79	3.15	
	- 90 S/L	8.46	7.087	0.16	9.84	0.53	0.63	5.71			23.06	7.28	10.87		12.19					
	- 100 L	10.43	9.055	0.16	11.81	0.53	0.79	6.06	9.06	3.15	24.20	7.99	12.01	9.92	11.30	5.51				
	- 112 M							6.54			25.33	8.98	12.83		12.50					
	- 132 S/M							7.64			28.96	10.47	16.18		12.78					
- 160 M/L							9.21			31.91	12.60	19.13							3/8 * 3/8 * 2-1/4	
SK 773 F	- 63 S/L	6.50	5.118	0.14	7.87	0.43	0.47	4.33			19.82	5.12	7.56		12.26		1.625	1.79	3.15	
	- 71 S/L	8.46	7.087	0.16	9.84	0.53	0.63	4.69			20.65	5.71	8.39							
	- 80 S/L	10.43	9.055	0.16	11.81	0.53	0.79	5.51			21.35	6.50	9.09							
	- 90 S/L							5.71	9.06	3.15	23.69	7.28	10.87	9.92	11.30	12.82	5.51			
	- 100 L							6.06			24.83	7.99	12.01							
	- 112 M							6.54			25.96	8.98	12.83		13.13					
- 132 S/M							7.64			29.59	10.47	16.18		13.41					3/8 * 3/8 * 2-1/4	

See page 78 for metric shafts. Technical design may be subject to change. DXF files available upon request.

HELICAL GEAR MOTORS



DOUBLE AND TRIPLE REDUCTION



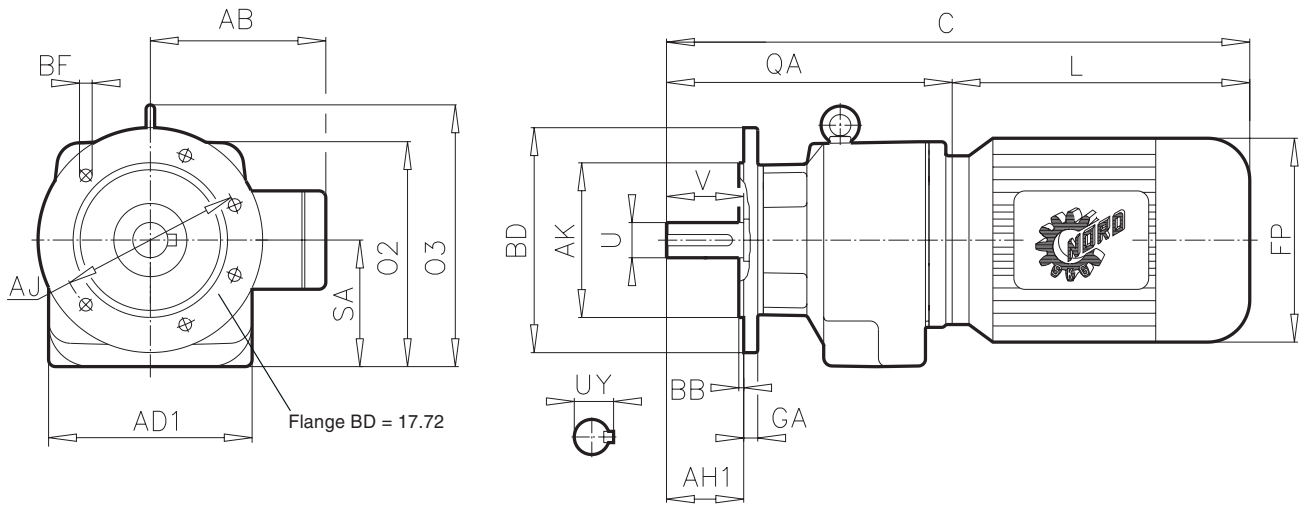
Type	Mounting dimensions (foot)				Outline dimensions											Shaft dimensions						
	A	E	G	H	AB	BA	BJ	C	D	FP	L	N	O	O1	QA	U	UY	V				
SK 872 - 90 S/L - 100 L - 112 M - 132 S/M - 160 M/L - 180 M/L	11.42	8.46	1.77	0.69	5.71			25.63		7.28	10.87				14.76	2.125	2.35	3.94				
					6.06			26.77		7.99	12.01											
	12.20	10.24	1.57	3.54	6.54	5.51	4.53	27.59	7.09	8.98	12.83	4.13	12.76	14.41	15.04							
					7.64			31.46		10.47	16.18								15.28			
					9.21			34.41		12.60	19.13											
				10.20			38.98		14.09	23.70				15.28								
																		1/2 * 1/2 * 2-5/8				
SK 873 - 90 S/L - 100 L - 112 M - 132 S/M - 160 M/L	11.42	8.46	1.77	0.69	5.71			25.63		7.28	10.87				14.76	2.125	2.35	3.94				
					6.06			26.77		7.99	12.01											
	12.20	10.24	1.57	3.54	6.54	5.51	4.53	27.87	7.09	8.98	12.83	4.13	12.76	14.41	15.04							
					7.64			31.46		10.47	16.18								15.28			
					9.21			34.41		12.60	19.13											
				10.20			38.98		14.09	23.70				15.28								
																		1/2 * 1/2 * 2-5/8				
SK 972 - 90 S/L - 100 L - 112 M - 132 S/M - 160 M/L - 180 M/L - 200 L - 225 S	13.39	9.84	2.17	0.87	5.71			27.74		7.28	10.87				16.87	2.375	2.65	4.72				
					6.06			28.88		7.99	12.01											
	14.37	12.20	1.97	3.94	6.54			29.70		8.98	12.83											
					7.64	6.30	5.22	33.29	8.86	10.47	16.18	4.96	15.67	17.68	17.11							
					9.21			36.24		12.60	19.13											
					10.20			40.81		14.09	23.70				17.11							
				12.05			44.20		15.67	27.09												
				12.05			44.20		15.67	27.09												
																		5/8 * 5/8 * 3-1/4				
SK 973 - 90 S/L - 100 L - 112 M - 132 S/M - 160 M/L - 180 M/L	13.39	9.84	2.17	0.87	5.71			27.74		7.28	10.87				16.87	2.375	2.65	4.72				
					6.06			28.88		7.99	12.01											
	14.37	12.20	1.97	3.94	6.54			29.70		8.98	12.83											
					7.64	6.30	5.22	33.29	8.86	10.47	16.18	4.96	15.67	17.68	17.11							
					9.21			36.24		12.60	19.13											
				10.20			40.81		14.09	23.70				17.11								
																		5/8 * 5/8 * 3-1/4				

See page 78 for metric shafts
 Technical design may be subject to change. DXF files available upon request.

HELICAL GEAR MOTORS



DOUBLE AND TRIPLE REDUCTION



Type	Mounting dimensions (bolt-on B5 flange)						Outline dimensions										Shaft dimensions			
	AJ	AK	BB	BD	BF	GA	AB	AD1	AH1	C	FP	L	O2	O3	QA	SA	U	UY	V	
	Standard shown in bold. Must specify BD dimension.																	Key		
SK 872 F	- 90 S/L	8.46	7.087	0.16	9.84	0.53	5.71			25.63	7.28	10.87			14.76		2.125	2.35	3.94	
	- 100 L	10.43	9.055	0.16	11.81	0.53	6.06			26.77	7.99	12.01								
	- 112 M	11.81	9.843	0.20	13.78	0.69	6.54	11.42	3.94	27.59	8.98	12.83	12.76	14.41	15.04	7.09				
	- 132 S/M						7.64			31.46	10.47	16.18			15.28					
	- 160 M/L						9.21			34.41	12.60	19.13								
- 180 M/L						10.20			38.98	14.09	23.70			15.28					1/2 * 1/2 * 2-5/8	
SK 873 F	- 90 S/L	8.46	7.087	0.16	9.84	0.53	5.71			25.99	7.28	10.87			15.12		2.125	2.35	3.94	
	- 100 L	10.43	9.055	0.16	11.81	0.53	6.06			27.13	7.99	12.01								
	- 112 M	11.81	9.843	0.20	13.78	0.69	6.54	11.42	3.94	27.95	8.98	12.83	12.76	14.41	15.04	7.09				
	- 132 S/M						7.64			31.81	10.47	16.18			15.63					
	- 160 M/L						9.21			34.76	12.60	19.13							1/2 * 1/2 * 2-5/8	
SK 972 F	- 90 S/L	10.43	9.055	0.16	11.81	0.53	5.71			27.74	7.28	10.87			16.87		2.375	2.65	4.72	
	- 100 L	11.81	9.843	0.20	13.78	0.69	6.06			28.88	7.99	12.01								
	- 112 M	15.75	13.780	0.20	17.72	0.69	6.54			29.70	8.98	12.83								
	- 132 S/M						7.64	13.39	4.72	33.29	10.47	16.18	15.67	17.68	17.11	8.86				
	- 160 M/L						9.21			36.24	12.60	19.13								
	- 180 M/L						10.20			40.81	14.09	23.70			17.11					
- 200 L						12.05			44.20	15.67	27.09									
- 225 S						12.05			44.20	15.67	27.09								5/8 * 5/8 * 3-1/4	
SK 973 F	- 90 S/L	10.43	9.055	0.16	11.81	0.53	5.71			28.25	7.28	10.87			17.38		2.375	2.65	4.72	
	- 100 L	11.81	9.843	0.20	13.78	0.69	6.06			29.39	7.99	12.01								
	- 112 M	15.75	13.780	0.20	17.72	0.69	6.54	13.39	4.72	30.21	8.98	12.83	15.67	17.68		8.86				
	- 132 S/M						7.64			33.80	10.47	16.18			17.62					
	- 160 M/L						9.21			36.75	12.60	19.13								
- 180 M/L						10.20			41.32	14.09	23.70			17.62					5/8 * 5/8 * 3-1/4	

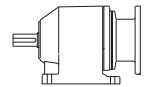
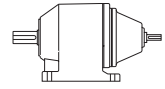
See page 78 for metric shafts
 Technical design may be subject to change. DXF files available upon request.

HELICAL SPEED REDUCER



HELICAL SPEED REDUCER

TABLE OF CAPACITY AND RATIO
WITH SOLID INPUT SHAFT, TYPE W,
OR FOR ASSEMBLY WITH NEMA MOTORS



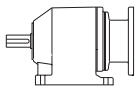
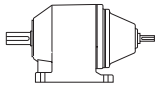
Size	Reduction ratio i_{total}	Output speed 4-pol./ 60 Hz n_2 [RPM]	$T_{2 max}$ 4 - pol. [LB-IN]	max input power, Type W at $f_B \geq 1$				Available NEMA adapters *													
				4 - pol. [HP] *	6 - pol. [HP] *	8 - pol. [HP] *	12 - pol. [HP] *														
SK 172	79.56	20.00	620	0.20	0.13	0.10	0.06	56	-	-	-	-	-	-	-	-	-	-	-	-	
	58.96	28.00	752	0.33	0.22	0.17	0.11	56	140	-	-	-	-	-	-	-	-	-	-	-	
	48.32	34.00	752	0.41	0.27	0.20	0.13	56	140	-	-	-	-	-	-	-	-	-	-	-	
	45.40	36.00	752	0.43	0.28	0.21	0.14	56	-	-	-	-	-	-	-	-	-	-	-	-	
	37.21	44.00	779	0.54	0.36	0.27	0.18	56	-	-	-	-	-	-	-	-	-	-	-	-	
	30.58	53.00	761	0.64	0.42	0.32	0.21	56	-	-	-	-	-	-	-	-	-	-	-	-	
	W	29.10	56.00	779	0.69	0.46	0.35	0.23	56	140	-	-	-	-	-	-	-	-	-	-	-
		27.61	60.00	752	0.72	0.47	0.36	0.24	56	-	-	-	-	-	-	-	-	-	-	-	-
	+	23.91	70.00	797	0.88	0.58	0.44	0.29	56	140	-	-	-	-	-	-	-	-	-	-	-
		21.59	77.00	770	0.94	0.62	0.47	0.31	56	140	-	-	-	-	-	-	-	-	-	-	-
	NEMA	17.87	92.00	752	1.10	0.72	0.55	0.36	56	140	-	-	-	-	-	-	-	-	-	-	-
		17.17	96.00	752	1.15	0.76	0.57	0.38	56	140	-	-	-	-	-	-	-	-	-	-	-
14.84		113.00	752	1.35	0.89	0.67	0.44	56	140	-	-	-	-	-	-	-	-	-	-	-	
12.98		128.00	752	1.53	1.01	0.76	0.50	56	140	-	-	-	-	-	-	-	-	-	-	-	
12.16		137.00	752	1.63	1.08	0.82	0.54	56	140	-	-	-	-	-	-	-	-	-	-	-	
11.41		146.00	717	1.66	1.10	0.83	0.55	56	140	-	-	-	-	-	-	-	-	-	-	-	
10.07		166.00	681	1.79	1.18	0.90	0.59	56	140	-	-	-	-	-	-	-	-	-	-	-	
9.35		178.00	664	1.87	1.24	0.94	0.62	56	140	-	-	-	-	-	-	-	-	-	-	-	
8.25		202.00	637	2.00	1.32	1.00	0.66	56	140	-	-	-	-	-	-	-	-	-	-	-	
7.68		216.00	549	1.88	1.24	0.94	0.62	56	140	-	-	-	-	-	-	-	-	-	-	-	
6.94		240.00	540	2.00	1.32	1.00	0.66	56	140	-	-	-	-	-	-	-	-	-	-	-	
6.34		262.00	513	2.00	1.32	1.00	0.66	56	140	-	-	-	-	-	-	-	-	-	-	-	
5.74		289.00	504	2.00	1.32	1.00	0.66	56	140	-	-	-	-	-	-	-	-	-	-	-	
5.21		319.00	496	2.00	1.32	1.00	0.66	56	140	-	-	-	-	-	-	-	-	-	-	-	
4.71		353.00	487	2.00	1.32	1.00	0.66	56	140	-	-	-	-	-	-	-	-	-	-	-	
4.07		408.00	469	2.00	1.32	1.00	0.66	56	140	-	-	-	-	-	-	-	-	-	-	-	
3.90		426.00	443	2.00	1.32	1.00	0.66	56	140	-	-	-	-	-	-	-	-	-	-	-	
3.37		493.00	425	2.00	1.32	1.00	0.66	56	140	-	-	-	-	-	-	-	-	-	-	-	
3.03	548.00	416	2.00	1.32	1.00	0.66	56	140	-	-	-	-	-	-	-	-	-	-	-		
2.62	635.00	416	2.00	1.32	1.00	0.66	56	140	-	-	-	-	-	-	-	-	-	-	-		
2.23	745.00	416	2.00	1.32	1.00	0.66	56	140	-	-	-	-	-	-	-	-	-	-	-		
1.93	862.00	363	2.00	1.32	1.00	0.66	56	140	-	-	-	-	-	-	-	-	-	-	-		

Example

143 TC and 145 TC motors
bolt up to 140 adapter

* max. Input power is limited by the standard NEMA frame power assignments.
For combination with servomotors or other high torque motors please contact NORD.

For permissible Overhung- and Thrust loads on the output shaft see corresponding tables in the Gear Motor section.
For permissible loads applied on the input shaft of Gearboxes (Type W) please see page 8.
See page 6 for additional selection criteria.



HELICAL SPEED REDUCER



TABLE OF CAPACITY AND RATIO
WITH SOLID INPUT SHAFT, TYPE W,
OR FOR ASSEMBLY WITH NEMA MOTORS

Size	Reduction ratio	Output speed	T _{2 max}	max input power, Type W at $i_B \geq 1$				Available NEMA adapters *												
				4 - pol.	6 - pol.	8 - pol.	12 - pol.													
	i_{total}	4-pol./ 60 Hz n_2 [RPM]	4 - pol. [LB-IN]	4 - pol. [HP] *	6 - pol. [HP] *	8 - pol. [HP] *	12 - pol. [HP] *													
SK 273	330.90	4.80	1239	0.09	0.06	0.05	0.03	56	-	-	-	-	-	-	-	-	-	-		
	245.21	6.50	1239	0.13	0.08	0.06	0.04	56	140	-	-	-	-	-	-	-	-	-		
	188.81	8.50	1239	0.17	0.11	0.08	0.06	56	-	-	-	-	-	-	-	-	-	-		
	W	165.97	9.60	1239	0.19	0.12	0.09	0.06	56	140	-	-	-	-	-	-	-	-	-	
		127.79	12.00	1239	0.24	0.16	0.12	0.08	56	-	-	-	-	-	-	-	-	-	-	
	+	107.65	14.00	1239	0.28	0.18	0.14	0.09	56	140	-	-	-	-	-	-	-	-	-	
		82.89	20.00	1239	0.39	0.26	0.20	0.13	56	-	-	-	-	-	-	-	-	-	-	
		71.41	23.00	1239	0.45	0.30	0.23	0.15	56	140	-	-	-	-	-	-	-	-	-	
		61.73	26.00	1239	0.51	0.34	0.26	0.17	56	140	-	-	-	-	-	-	-	-	-	
		53.98	30.00	1239	0.59	0.39	0.29	0.19	56	140	-	-	-	-	-	-	-	-	-	
		47.44	35.00	1239	0.69	0.45	0.34	0.23	56	140	-	-	-	-	-	-	-	-	-	
		41.78	40.00	1239	0.79	0.52	0.39	0.26	56	140	-	-	-	-	-	-	-	-	-	
		36.54	46.00	1239	0.90	0.60	0.45	0.30	56	140	-	-	-	-	-	-	-	-	-	-
		32.11	52.00	1239	1.02	0.67	0.51	0.34	56	140	-	-	-	-	-	-	-	-	-	-
28.34		59.00	1239	1.16	0.77	0.58	0.38	56	140	-	-	-	-	-	-	-	-	-	-	
27.10		61.00	1239	1.20	0.79	0.60	0.40	56	140	-	-	-	-	-	-	-	-	-	-	
23.70		71.00	1239	1.40	0.92	0.70	0.46	56	140	-	-	-	-	-	-	-	-	-	-	
20.83	80.00	1239	1.57	1.04	0.79	0.52	56	140	-	-	-	-	-	-	-	-	-	-		
SK 272	64.75	25.00	1151	0.46	0.30	0.23	0.15	56	140	-	-	-	-	-	-	-	-	-		
	57.38	29.00	1151	0.53	0.35	0.26	0.17	56	140	-	-	-	-	-	-	-	-	-		
	51.23	32.00	1239	0.63	0.42	0.31	0.21	56	-	-	-	-	-	-	-	-	-	-		
	45.40	37.00	1239	0.73	0.48	0.36	0.24	56	-	-	-	-	-	-	-	-	-	-		
	W	39.78	42.00	1239	0.83	0.54	0.41	0.27	56	140	-	-	-	-	-	-	-	-	-	
		35.26	47.00	1239	0.92	0.61	0.46	0.30	56	140	-	-	-	-	-	-	-	-	-	
	+	31.17	53.00	1239	1.04	0.69	0.52	0.34	56	140	-	-	-	-	-	-	-	-	-	
		28.59	59.00	1239	1.16	0.77	0.58	0.38	56	140	-	-	-	-	-	-	-	-	-	
	NEMA	25.28	67.00	1239	1.32	0.87	0.66	0.43	56	140	-	-	-	-	-	-	-	-	-	
		20.96	80.00	1239	1.57	1.04	0.79	0.52	56	140	-	-	-	-	-	-	-	-	-	
		20.06	84.00	1239	1.65	1.09	0.83	0.54	56	140	-	-	-	-	-	-	-	-	-	
		18.59	91.00	1239	1.79	1.18	0.89	0.59	56	140	-	-	-	-	-	-	-	-	-	
		17.17	98.00	1239	1.93	1.27	0.96	0.64	56	140	-	-	-	-	-	-	-	-	-	
		15.10	112.00	1239	2.20	1.45	1.10	0.73	56	140	-	-	-	-	-	-	-	-	-	
13.41		127.00	1239	2.50	1.65	1.25	0.82	56	140	180	-	-	-	-	-	-	-	-		
11.88		143.00	1239	2.81	1.85	1.41	0.93	56	140	180	-	-	-	-	-	-	-	-		
11.17		152.00	1239	2.99	1.97	1.49	0.99	56	140	180	-	-	-	-	-	-	-	-		
9.90		172.00	1239	3.38	2.23	1.69	1.12	56	140	180	-	-	-	-	-	-	-	-		
8.65		196.00	1239	3.85	2.54	1.93	1.27	56	140	180	-	-	-	-	-	-	-	-		
7.64		222.00	1239	4.36	2.88	2.18	1.44	56	140	180	-	-	-	-	-	-	-	-		
6.75	251.00	1239	4.93	3.26	2.47	1.63	56	140	180	-	-	-	-	-	-	-	-			
6.34	266.00	1239	5.00	3.30	2.50	1.65	56	140	180	-	-	-	-	-	-	-	-			
5.62	301.00	1239	5.00	3.30	2.50	1.65	56	140	180	-	-	-	-	-	-	-	-			
4.96	341.00	1239	5.00	3.30	2.50	1.65	56	140	180	-	-	-	-	-	-	-	-			
4.57	371.00	1221	5.00	3.30	2.50	1.65	56	140	180	-	-	-	-	-	-	-	-			
4.05	418.00	1177	5.00	3.30	2.50	1.65	56	140	180	-	-	-	-	-	-	-	-			
3.52	481.00	1151	5.00	3.30	2.50	1.65	56	140	180	-	-	-	-	-	-	-	-			
3.19	530.00	1151	5.00	3.30	2.50	1.65	56	140	180	-	-	-	-	-	-	-	-			
2.77	611.00	1106	5.00	3.30	2.50	1.65	56	140	180	-	-	-	-	-	-	-	-			
2.17	780.00	885	5.00	3.30	2.50	1.65	56	140	180	-	-	-	-	-	-	-	-			
1.88	900.00	832	5.00	3.30	2.50	1.65	56	140	180	-	-	-	-	-	-	-	-			

Example
143 TC and 145 TC motors
bolt up to 140 adapter

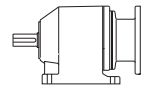
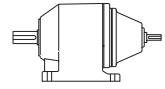
* max. Input power is limited by the standard NEMA frame power assignments.
For combination with servomotors or other high torque motors please contact NORD.

For permissible Overhung- and Thrust loads on the output shaft see corresponding tables in the Gear Motor section.
For permissible loads applied on the input shaft of Gearboxes (Type W) please see page 8.
See page 6 for additional selection criteria.



HELICAL SPEED REDUCER

TABLE OF CAPACITY AND RATIO
WITH SOLID INPUT SHAFT, TYPE W,
OR FOR ASSEMBLY WITH NEMA MOTORS

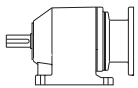
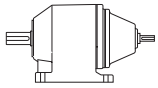


Size	Reduction ratio i_{total}	Output speed 4-pol./ 60 Hz n_2 [RPM]	T_2 max 4 - pol. [LB-IN]	max input power, Type W at $f_B \geq 1$				Available NEMA adapters *													
				4 - pol. [HP] *	6 - pol. [HP] *	8 - pol. [HP] *	12 - pol. [HP] *														
SK 373	238.68	6.70	1947	0.21	0.14	0.10	0.07	56	140	-	-	-	-	-	-	-	-	-	-		
	188.86	8.40	1947	0.26	0.17	0.13	0.09	56	-	-	-	-	-	-	-	-	-	-	-		
	161.01	10.00	1947	0.31	0.20	0.15	0.10	56	140	-	-	-	-	-	-	-	-	-	-		
	W	127.40	13.00	1947	0.40	0.26	0.20	0.13	56	-	-	-	-	-	-	-	-	-	-	-	
		98.94	17.00	1947	0.52	0.35	0.26	0.17	56	140	-	-	-	-	-	-	-	-	-	-	
	+	85.47	19.00	1947	0.59	0.39	0.29	0.19	56	-	-	-	-	-	-	-	-	-	-	-	
		73.94	23.00	1947	0.71	0.47	0.36	0.23	56	140	-	-	-	-	-	-	-	-	-	-	
		NEMA	66.38	25.00	1947	0.77	0.51	0.39	0.25	56	140	-	-	-	-	-	-	-	-	-	-
			63.29	26.00	1947	0.80	0.53	0.40	0.26	56	140	-	-	-	-	-	-	-	-	-	-
		55.65	30.00	1947	0.93	0.61	0.46	0.31	56	140	-	-	-	-	-	-	-	-	-	-	
		49.42	34.00	1947	1.05	0.69	0.52	0.35	56	140	180	-	-	-	-	-	-	-	-	-	
		42.69	38.00	1947	1.17	0.77	0.59	0.39	56	140	-	-	-	-	-	-	-	-	-	-	
		37.54	44.00	1947	1.36	0.90	0.68	0.45	56	140	-	-	-	-	-	-	-	-	-	-	
		33.34	50.00	1947	1.54	1.02	0.77	0.51	56	140	180	-	-	-	-	-	-	-	-	-	
		27.78	60.00	1947	1.85	1.22	0.93	0.61	56	140	180	-	-	-	-	-	-	-	-	-	
		24.26	68.00	1947	2.10	1.39	1.05	0.69	56	140	180	-	-	-	-	-	-	-	-	-	
22.37		74.00	1859	2.18	1.44	1.09	0.72	56	140	180	-	-	-	-	-	-	-	-	-		
16.28		104.00	1770	2.92	1.93	1.46	0.96	56	140	180	-	-	-	-	-	-	-	-	-		
SK 372		51.23	32.00	1549	0.79	0.52	0.39	0.26	56	-	-	-	-	-	-	-	-	-	-	-	
	45.40	37.00	1372	0.80	0.53	0.40	0.27	56	-	-	-	-	-	-	-	-	-	-	-		
	39.78	42.00	1770	1.18	0.78	0.59	0.39	56	140	-	-	-	-	-	-	-	-	-	-		
	W	35.26	47.00	1770	1.32	0.87	0.66	0.44	56	140	-	-	-	-	-	-	-	-	-	-	
		31.17	53.00	1770	1.49	0.98	0.74	0.49	56	140	-	-	-	-	-	-	-	-	-	-	
	+	28.59	59.00	1770	1.66	1.09	0.83	0.55	56	140	-	-	-	-	-	-	-	-	-	-	
		25.28	67.00	1770	1.88	1.24	0.94	0.62	56	140	-	-	-	-	-	-	-	-	-	-	
		20.96	80.00	1770	2.25	1.48	1.12	0.74	56	140	-	-	-	-	-	-	-	-	-	-	
		NEMA	20.06	84.00	1770	2.36	1.56	1.18	0.78	56	140	-	-	-	-	-	-	-	-	-	-
	18.59		91.00	1770	2.55	1.69	1.28	0.84	56	140	-	-	-	-	-	-	-	-	-	-	
	17.17		98.00	1770	2.75	1.82	1.38	0.91	56	140	-	-	-	-	-	-	-	-	-	-	
	15.10		112.00	1770	3.14	2.08	1.57	1.04	56	140	-	-	-	-	-	-	-	-	-	-	
	13.41		127.00	1682	3.39	2.24	1.69	1.12	56	140	180	-	-	-	-	-	-	-	-	-	
	11.88		143.00	1637	3.71	2.45	1.86	1.23	56	140	180	-	-	-	-	-	-	-	-	-	
	11.17		152.00	1505	3.63	2.39	1.81	1.20	56	140	180	-	-	-	-	-	-	-	-	-	
	9.90		172.00	1505	4.10	2.71	2.05	1.35	56	140	180	-	-	-	-	-	-	-	-	-	
8.65	196.00		1505	4.68	3.09	2.34	1.54	56	140	180	-	-	-	-	-	-	-	-	-		
7.64	222.00		1416	4.99	3.29	2.49	1.65	56	140	180	-	-	-	-	-	-	-	-	-		
6.75	251.00		1283	5.00	3.30	2.50	1.65	56	140	180	-	-	-	-	-	-	-	-	-		
6.34	266.00		1257	5.00	3.30	2.50	1.65	56	140	180	-	-	-	-	-	-	-	-	-		
5.62	301.00	1266	5.00	3.30	2.50	1.65	56	140	180	-	-	-	-	-	-	-	-	-			
4.96	341.00	1239	5.00	3.30	2.50	1.65	56	140	180	-	-	-	-	-	-	-	-	-			
4.57	371.00	1221	5.00	3.30	2.50	1.65	56	140	180	-	-	-	-	-	-	-	-	-			
4.05	418.00	1177	5.00	3.30	2.50	1.65	56	140	180	-	-	-	-	-	-	-	-	-			
3.52	481.00	1151	5.00	3.30	2.50	1.65	56	140	180	-	-	-	-	-	-	-	-	-			
3.19	530.00	1151	5.00	3.30	2.50	1.65	56	140	180	-	-	-	-	-	-	-	-	-			
2.77	611.00	1106	5.00	3.30	2.50	1.65	56	140	180	-	-	-	-	-	-	-	-	-			
2.17	780.00	885	5.00	3.30	2.50	1.65	56	140	180	-	-	-	-	-	-	-	-	-			
1.88	900.00	832	5.00	3.30	2.50	1.65	56	140	180	-	-	-	-	-	-	-	-	-			

Example
143 TC and 145 TC motors
bolt up to 140 adapter

* max. Input power is limited by the standard NEMA frame power assignments.
For combination with servomotors or other high torque motors please contact NORD.

For permissible Overhung- and Thrust loads on the output shaft see corresponding tables in the Gear Motor section.
For permissible loads applied on the input shaft of Gearboxes (Type W) please see page 8.
See page 6 for additional selection criteria.



HELICAL SPEED REDUCER



TABLE OF CAPACITY AND RATIO
WITH SOLID INPUT SHAFT, TYPE W,
OR FOR ASSEMBLY WITH NEMA MOTORS

Size	Reduction ratio i_{total}	Output speed 4-pol./ 60 Hz n_2 [RPM]	$T_{2 max}$ 4 - pol. [LB-IN]	max input power, Type W at $f_b \geq 1$				Available NEMA adapters *													
				4 - pol. [HP] *	6 - pol. [HP] *	8 - pol. [HP] *	12 - pol. [HP] *														
SK 473	309.58	5.30	2832	0.24	0.16	0.12	0.08	56	140	-	-	-	-	-	-	-	-	-	-	-	
	244.95	6.70	2832	0.30	0.20	0.15	0.10	56	-	-	-	-	-	-	-	-	-	-	-	-	
	218.59	7.40	2832	0.33	0.22	0.17	0.11	56	140	-	-	-	-	-	-	-	-	-	-	-	
	192.51	8.50	2832	0.38	0.25	0.19	0.13	56	140	-	-	-	-	-	-	-	-	-	-	-	
	W	172.96	9.50	2832	0.43	0.28	0.21	0.14	56	-	-	-	-	-	-	-	-	-	-	-	-
		152.33	11.00	2832	0.49	0.33	0.25	0.16	56	-	-	-	-	-	-	-	-	-	-	-	-
		134.32	12.00	2655	0.51	0.33	0.25	0.17	56	140	-	-	-	-	-	-	-	-	-	-	-
	+	118.30	14.00	2655	0.59	0.39	0.29	0.19	56	140	-	-	-	-	-	-	-	-	-	-	-
		106.70	16.00	2655	0.67	0.44	0.34	0.22	56	140	-	-	-	-	-	-	-	-	-	-	-
	NEMA	95.90	17.00	2655	0.72	0.47	0.36	0.24	56	140	-	-	-	-	-	-	-	-	-	-	-
		82.08	20.00	2655	0.84	0.56	0.42	0.28	56	140	-	-	-	-	-	-	-	-	-	-	-
		72.18	23.00	2655	0.97	0.64	0.48	0.32	56	140	-	-	-	-	-	-	-	-	-	-	-
		64.10	26.00	2655	1.09	0.72	0.55	0.36	56	140	180	-	-	-	-	-	-	-	-	-	-
		57.96	29.00	2655	1.22	0.81	0.61	0.40	56	140	-	-	-	-	-	-	-	-	-	-	-
		53.42	31.00	2655	1.31	0.86	0.65	0.43	56	140	180	-	-	-	-	-	-	-	-	-	-
		50.97	32.00	2655	1.35	0.89	0.67	0.44	56	140	-	-	-	-	-	-	-	-	-	-	-
		45.26	37.00	2655	1.56	1.03	0.78	0.51	56	140	180	-	-	-	-	-	-	-	-	-	-
		41.03	41.00	2655	1.73	1.14	0.86	0.57	56	140	180	-	-	-	-	-	-	-	-	-	-
		37.72	46.00	2655	1.94	1.28	0.97	0.64	56	140	180	-	-	-	-	-	-	-	-	-	-
		32.94	52.00	2478	2.04	1.35	1.02	0.67	56	140	180	210	-	-	-	-	-	-	-	-	-
		29.01	59.00	2390	2.24	1.48	1.12	0.74	56	140	180	210	-	-	-	-	-	-	-	-	-
25.60		66.00	2213	2.32	1.53	1.16	0.76	56	140	180	210	-	-	-	-	-	-	-	-	-	
23.10		73.00	2124	2.46	1.62	1.23	0.81	56	140	180	210	-	-	-	-	-	-	-	-	-	
20.90		83.00	2036	2.68	1.77	1.34	0.88	56	140	180	210	-	-	-	-	-	-	-	-	-	
18.86		92.00	1947	2.84	1.88	1.42	0.94	56	140	180	210	-	-	-	-	-	-	-	-	-	
16.37		106.00	1859	3.12	2.06	1.56	1.03	56	140	180	210	-	-	-	-	-	-	-	-	-	
SK 472		65.56	25.00	2655	1.05	0.69	0.53	0.35	56	-	-	-	-	-	-	-	-	-	-	-	-
		51.70	32.00	2655	1.35	0.89	0.67	0.44	56	140	-	-	-	-	-	-	-	-	-	-	-
	46.75	35.00	2832	1.57	1.04	0.79	0.52	56	140	-	-	-	-	-	-	-	-	-	-	-	
	W	42.21	40.00	2655	1.68	1.11	0.84	0.56	56	140	-	-	-	-	-	-	-	-	-	-	-
		38.17	43.00	2832	1.93	1.27	0.97	0.64	56	140	-	-	-	-	-	-	-	-	-	-	-
		33.11	50.00	2832	2.25	1.48	1.12	0.74	56	140	-	-	-	-	-	-	-	-	-	-	-
	+	28.83	58.00	2655	2.44	1.61	1.22	0.81	56	140	-	-	-	-	-	-	-	-	-	-	-
		26.70	64.00	2832	2.87	1.90	1.44	0.95	56	140	180	-	-	-	-	-	-	-	-	-	-
	NEMA	23.16	73.00	2832	3.28	2.16	1.64	1.08	56	140	180	-	-	-	-	-	-	-	-	-	-
		20.17	86.00	2832	3.86	2.55	1.93	1.27	56	140	180	-	-	-	-	-	-	-	-	-	-
		18.44	92.00	2655	3.87	2.56	1.94	1.28	56	140	180	-	-	-	-	-	-	-	-	-	-
		17.98	96.00	2611	3.98	2.62	1.99	1.31	-	-	180	210	-	-	-	-	-	-	-	-	-
		16.63	102.00	2611	4.22	2.79	2.11	1.39	56	140	180	-	-	-	-	-	-	-	-	-	-
		15.59	112.00	2611	4.64	3.06	2.32	1.53	-	-	180	210	-	-	-	-	-	-	-	-	-
		15.04	113.00	2567	4.60	3.04	2.30	1.52	56	140	180	-	-	-	-	-	-	-	-	-	-
		14.02	124.00	2478	4.87	3.22	2.44	1.61	56	140	180	210	-	-	-	-	-	-	-	-	-
		12.68	137.00	2390	5.19	3.43	2.60	1.71	56	140	180	210	-	-	-	-	-	-	-	-	-
		10.45	166.00	2213	5.83	3.84	2.91	1.92	56	140	180	210	-	-	-	-	-	-	-	-	-
		9.22	188.00	2124	6.33	4.18	3.17	2.09	56	140	180	210	-	-	-	-	-	-	-	-	-
		8.34	208.00	2080	6.86	4.53	3.43	2.26	56	140	180	210	-	-	-	-	-	-	-	-	-
		7.23	241.00	2036	7.78	5.14	3.89	2.57	56	140	180	210	-	-	-	-	-	-	-	-	-
6.30		276.00	2036	8.91	5.88	4.46	2.94	56	140	180	210	-	-	-	-	-	-	-	-	-	
5.61		310.00	1947	9.57	6.32	4.79	3.16	-	-	180	210	-	-	-	-	-	-	-	-	-	
4.82		361.00	1947	10.00	6.60	5.00	3.30	-	-	180	210	-	-	-	-	-	-	-	-	-	
4.23		412.00	1903	10.00	6.60	5.00	3.30	-	-	180	210	-	-	-	-	-	-	-	-	-	
3.63		479.00	1814	10.00	6.60	5.00	3.30	-	-	180	210	-	-	-	-	-	-	-	-	-	
3.17		548.00	1770	10.00	6.60	5.00	3.30	-	-	180	210	-	-	-	-	-	-	-	-	-	
2.73	637.00	1682	10.00	6.60	5.00	3.30	-	-	180	210	-	-	-	-	-	-	-	-	-		

Example
143 TC and 145 TC motors
bolt up to 140 adapter

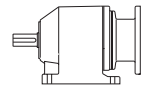
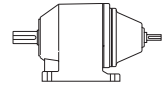
* max. Input power is limited by the standard NEMA frame power assignments.
For combination with servomotors or other high torque motors please contact NORD.

For permissible Overhung- and Thrust loads on the output shaft see corresponding tables in the Gear Motor section.
For permissible loads applied on the input shaft of Gearboxes (Type W) please see page 8.
See page 6 for additional selection criteria.



HELICAL SPEED REDUCER

TABLE OF CAPACITY AND RATIO
WITH SOLID INPUT SHAFT, TYPE W,
OR FOR ASSEMBLY WITH NEMA MOTORS



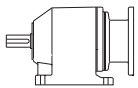
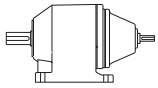
Size	Reduction ratio i_{total}	Output speed 4-pol./ 60 Hz n_2 [RPM]	T_2 max 4 - pol. [LB-IN]	max input power, Type W at $f_B \geq 1$				Available NEMA adapters *									
				4 - pol. [HP] *	6 - pol. [HP] *	8 - pol. [HP] *	12 - pol. [HP] *	56	140	-	-	-	-	-	-		
SK 573	309.58	5.30	3983	0.33	0.22	0.17	0.11	56	140	-	-	-	-	-	-	-	
	244.95	6.70	3983	0.42	0.28	0.21	0.14	56	-	-	-	-	-	-	-	-	
	218.59	7.40	3983	0.47	0.31	0.23	0.15	56	140	-	-	-	-	-	-	-	
	192.51	8.50	3983	0.54	0.35	0.27	0.18	56	140	-	-	-	-	-	-	-	
	W	172.96	9.50	3983	0.60	0.40	0.30	0.20	56	-	-	-	-	-	-	-	-
		152.33	11.00	3983	0.69	0.46	0.35	0.23	56	-	-	-	-	-	-	-	-
	+	134.32	12.00	3983	0.76	0.50	0.38	0.25	56	140	-	-	-	-	-	-	-
		118.30	14.00	3983	0.88	0.58	0.44	0.29	56	140	-	-	-	-	-	-	-
	NEMA	106.70	16.00	3983	1.01	0.67	0.51	0.33	56	140	-	-	-	-	-	-	-
		95.90	17.00	3983	1.07	0.71	0.54	0.35	56	140	-	-	-	-	-	-	-
		82.08	20.00	3983	1.26	0.83	0.63	0.42	56	140	-	-	-	-	-	-	-
		72.18	23.00	3983	1.45	0.96	0.73	0.48	56	140	-	-	-	-	-	-	-
		64.10	26.00	3983	1.64	1.08	0.82	0.54	56	140	180	-	-	-	-	-	-
		57.96	29.00	3983	1.83	1.21	0.92	0.60	56	140	-	-	-	-	-	-	-
		53.42	31.00	3983	1.96	1.29	0.98	0.65	56	140	180	-	-	-	-	-	-
		50.97	32.00	3983	2.02	1.33	1.01	0.67	56	140	-	-	-	-	-	-	-
		45.26	37.00	3983	2.34	1.54	1.17	0.77	56	140	180	-	-	-	-	-	-
		41.03	41.00	3983	2.59	1.71	1.29	0.85	56	140	180	-	-	-	-	-	-
		37.72	46.00	3983	2.91	1.92	1.45	0.96	56	140	180	-	-	-	-	-	-
		32.94	52.00	3983	3.28	2.17	1.64	1.08	56	140	180	210	-	-	-	-	-
29.01		59.00	3983	3.73	2.46	1.86	1.23	56	140	180	210	-	-	-	-	-	
25.60		66.00	3983	4.17	2.75	2.08	1.38	56	140	180	210	-	-	-	-	-	
23.10		73.00	3983	4.61	3.04	2.31	1.52	56	140	180	210	-	-	-	-	-	
20.90		83.00	3983	5.24	3.46	2.62	1.73	56	140	180	210	-	-	-	-	-	
18.86		92.00	3983	5.81	3.84	2.91	1.92	56	140	180	210	-	-	-	-	-	
16.37		106.00	3983	6.70	4.42	3.35	2.21	56	140	180	210	-	-	-	-	-	
SK 572	51.70	32.00	3275	1.66	1.10	0.83	0.55	56	140	-	-	-	-	-	-	-	
	46.75	35.00	3275	1.82	1.20	0.91	0.60	56	140	-	-	-	-	-	-	-	
	42.21	40.00	3275	2.08	1.37	1.04	0.69	56	140	-	-	-	-	-	-	-	
	38.17	43.00	3275	2.23	1.47	1.12	0.74	56	140	-	-	-	-	-	-	-	
	W	33.11	50.00	3540	2.81	1.85	1.40	0.93	56	140	-	-	-	-	-	-	-
		28.83	58.00	3275	3.01	1.99	1.51	0.99	56	140	-	-	-	-	-	-	-
	+	26.70	64.00	3983	4.04	2.67	2.02	1.33	56	140	180	-	-	-	-	-	-
		23.16	73.00	3983	4.61	3.04	2.31	1.52	56	140	180	-	-	-	-	-	-
	NEMA	20.17	86.00	3983	5.43	3.59	2.72	1.79	56	140	180	-	-	-	-	-	-
		17.98	96.00	3983	6.06	4.00	3.03	2.00	-	-	180	210	-	-	-	-	-
		18.44	92.00	3983	5.81	3.84	2.91	1.92	56	140	180	-	-	-	-	-	-
		16.63	102.00	3983	6.44	4.25	3.22	2.13	56	140	180	-	-	-	-	-	-
		15.59	112.00	3983	7.07	4.67	3.54	2.33	-	-	180	210	-	-	-	-	-
		15.04	113.00	3850	6.90	4.55	3.45	2.28	56	140	180	-	-	-	-	-	-
		14.02	124.00	3806	7.48	4.94	3.74	2.47	56	140	180	210	-	-	-	-	-
		12.68	137.00	3806	8.27	5.46	4.13	2.73	56	140	180	210	-	-	-	-	-
		10.45	166.00	3452	9.09	6.00	4.54	3.00	56	140	180	210	-	-	-	-	-
		9.22	188.00	3363	10.00	6.60	5.00	3.30	56	140	180	210	-	-	-	-	-
		8.34	208.00	3319	10.00	6.60	5.00	3.30	56	140	180	210	-	-	-	-	-
		7.23	241.00	3186	10.00	6.60	5.00	3.30	56	140	180	210	-	-	-	-	-
6.30		276.00	3009	10.00	6.60	5.00	3.30	56	140	180	210	-	-	-	-	-	
5.61		310.00	3009	10.00	6.60	5.00	3.30	-	-	180	210	-	-	-	-	-	
4.82		361.00	2788	10.00	6.60	5.00	3.30	-	-	180	210	-	-	-	-	-	
4.23		412.00	2744	10.00	6.60	5.00	3.30	-	-	180	210	-	-	-	-	-	
3.63		479.00	2744	10.00	6.60	5.00	3.30	-	-	180	210	-	-	-	-	-	
3.17		548.00	2213	10.00	6.60	5.00	3.30	-	-	180	210	-	-	-	-	-	
2.73	637.00	2168	10.00	6.60	5.00	3.30	-	-	180	210	-	-	-	-	-		

Example

143 TC and 145 TC motors
bolt up to 140 adapter

* max. Input power is limited by the standard NEMA frame power assignments.
For combination with servomotors or other high torque motors please contact NORD.

For permissible Overhung- and Thrust loads on the output shaft see corresponding tables in the Gear Motor section.
For permissible loads applied on the input shaft of Gearboxes (Type W) please see page 8.
See page 6 for additional selection criteria.



HELICAL SPEED REDUCER



TABLE OF CAPACITY AND RATIO
WITH SOLID INPUT SHAFT, TYPE W,
OR FOR ASSEMBLY WITH NEMA MOTORS

Size	Reduction ratio i_{total}	Output speed 4-pol./ 60 Hz n_2 [RPM]	$T_{2 max}$ 4 - pol. [LB-IN]	max input power, Type W at $f_B \geq 1$				Available NEMA adapters *													
				4 - pol. [HP] *	6 - pol. [HP] *	8 - pol. [HP] *	12 - pol. [HP] *														
SK 673	340.54	4.80	5576	0.42	0.28	0.21	0.14	56	140	-	-	-	-	-	-	-	-	-	-		
	267.99	6.10	5576	0.54	0.36	0.27	0.18	56	-	-	-	-	-	-	-	-	-	-	-		
	211.34	7.80	5576	0.69	0.46	0.34	0.23	56	140	-	-	-	-	-	-	-	-	-	-		
	185.29	8.90	5576	0.79	0.52	0.39	0.26	56	-	-	-	-	-	-	-	-	-	-	-		
	W	146.13	11.00	5576	0.97	0.64	0.49	0.32	56	140	-	-	-	-	-	-	-	-	-	-	
		119.31	14.00	5576	1.24	0.82	0.62	0.41	56	140	-	-	-	-	-	-	-	-	-	-	
		+	103.46	16.00	5576	1.41	0.93	0.71	0.47	56	140	-	-	-	-	-	-	-	-	-	-
			84.47	19.00	5576	1.68	1.11	0.84	0.55	56	140	-	-	-	-	-	-	-	-	-	-
	NEMA	75.38	22.00	5576	1.95	1.28	0.97	0.64	56	140	180	-	-	-	-	-	-	-	-	-	
		67.98	24.00	5576	2.12	1.40	1.06	0.70	56	140	180	-	-	-	-	-	-	-	-	-	
		57.30	29.00	5576	2.56	1.69	1.28	0.85	56	140	180	210	-	-	-	-	-	-	-	-	
		52.12	32.00	5576	2.83	1.87	1.41	0.93	56	140	180	-	-	-	-	-	-	-	-	-	
		47.00	36.00	5576	3.18	2.10	1.59	1.05	56	140	180	-	-	-	-	-	-	-	-	-	
		39.62	43.00	5576	3.80	2.51	1.90	1.25	56	140	180	210	-	-	-	-	-	-	-	-	-
		33.55	50.00	5576	4.42	2.92	2.21	1.46	-	-	180	210	-	-	-	-	-	-	-	-	-
		29.53	59.00	5576	5.22	3.44	2.61	1.72	56	140	180	210	-	-	-	-	-	-	-	-	-
28.05		62.00	5576	5.48	3.62	2.74	1.81	56	140	180	210	-	-	-	-	-	-	-	-	-	
26.06		66.00	5576	5.84	3.85	2.92	1.93	56	140	180	210	-	-	-	-	-	-	-	-	-	
23.20		74.00	5576	6.54	4.32	3.27	2.16	-	-	180	210	-	-	-	-	-	-	-	-	-	
20.90		83.00	5576	7.34	4.84	3.67	2.42	56	140	180	210	-	-	-	-	-	-	-	-	-	
18.45		94.00	5399	8.05	5.31	4.02	2.66	56	140	180	210	-	-	-	-	-	-	-	-	-	
16.42		106.00	5310	8.93	5.89	4.46	2.95	-	-	180	210	-	-	-	-	-	-	-	-	-	
SK 672		64.18	25.00	3983	1.58	1.04	0.79	0.52	56	140	-	-	-	-	-	-	-	-	-	-	
		56.90	29.00	3717	1.71	1.13	0.85	0.56	56	140	-	-	-	-	-	-	-	-	-	-	
	52.03	32.00	4115	2.09	1.38	1.04	0.69	56	140	-	-	-	-	-	-	-	-	-	-		
	46.13	36.00	4602	2.63	1.73	1.31	0.87	56	140	-	-	-	-	-	-	-	-	-	-		
	W	40.13	42.00	4160	2.77	1.83	1.39	0.91	56	140	-	-	-	-	-	-	-	-	-	-	
		37.02	46.00	5045	3.68	2.43	1.84	1.21	56	140	180	-	-	-	-	-	-	-	-	-	
	+	32.82	52.00	4779	3.94	2.60	1.97	1.30	56	140	180	-	-	-	-	-	-	-	-	-	
		28.55	59.00	4868	4.55	3.01	2.28	1.50	56	140	180	-	-	-	-	-	-	-	-	-	
	NEMA	25.32	68.00	5045	5.44	3.59	2.72	1.80	56	140	180	-	-	-	-	-	-	-	-	-	
		21.51	80.00	4956	6.29	4.15	3.14	2.08	56	140	180	-	-	-	-	-	-	-	-	-	
		19.45	89.00	5310	7.50	4.95	3.75	2.47	-	-	180	210	-	-	-	-	-	-	-	-	
		18.86	92.00	3761	5.49	3.62	2.74	1.81	56	140	180	-	-	-	-	-	-	-	-	-	
		17.42	100.00	5222	8.28	5.47	4.14	2.73	56	140	180	210	-	-	-	-	-	-	-	-	
		15.44	113.00	4956	8.88	5.86	4.44	2.93	56	140	180	210	-	-	-	-	-	-	-	-	
		13.87	125.00	4868	9.65	6.37	4.83	3.18	56	140	180	210	-	-	-	-	-	-	-	-	
		12.09	144.00	4646	10.00	6.60	5.00	3.30	56	140	180	210	-	-	-	-	-	-	-	-	
10.52		166.00	4779	10.00	6.60	5.00	3.30	56	140	180	210	-	-	-	-	-	-	-	-		
9.33		186.00	4691	10.00	6.60	5.00	3.30	56	140	180	210	-	-	-	-	-	-	-	-		
8.31		209.00	4602	10.00	6.60	5.00	3.30	56	140	180	210	-	-	-	-	-	-	-	-		
7.93		220.00	4779	10.00	6.60	5.00	3.30	56	140	180	210	-	-	-	-	-	-	-	-		
7.37		236.00	4425	10.00	6.60	5.00	3.30	-	-	180	210	-	-	-	-	-	-	-	-		
6.26		278.00	4514	10.00	6.60	5.00	3.30	-	-	180	210	-	-	-	-	-	-	-	-		
5.49		317.00	4337	10.00	6.60	5.00	3.30	-	-	180	210	-	-	-	-	-	-	-	-		
4.80		362.00	4160	10.00	6.60	5.00	3.30	-	-	180	210	-	-	-	-	-	-	-	-		
4.20	414.00	3983	10.00	6.60	5.00	3.30	-	-	180	210	-	-	-	-	-	-	-	-			
3.93	443.00	3983	10.00	6.60	5.00	3.30	-	-	180	210	-	-	-	-	-	-	-	-			
3.45	504.00	3806	10.00	6.60	5.00	3.30	-	-	180	210	-	-	-	-	-	-	-	-			
2.91	598.00	3629	10.00	6.60	5.00	3.30	-	-	180	210	-	-	-	-	-	-	-	-			

Example
143 TC and 145 TC motors
bolt up to 140 adapter

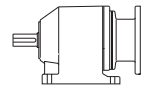
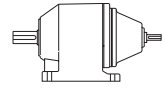
* max. Input power is limited by the standard NEMA frame power assignments.
For combination with servomotors or other high torque motors please contact NORD.

For permissible Overhung- and Thrust loads on the output shaft see corresponding tables in the Gear Motor section.
For permissible loads applied on the input shaft of Gearboxes (Type W) please see page 8.
See page 6 for additional selection criteria.



HELICAL SPEED REDUCER

TABLE OF CAPACITY AND RATIO
WITH SOLID INPUT SHAFT, TYPE W,
OR FOR ASSEMBLY WITH NEMA MOTORS



Size	Reduction ratio i_{total}	Output speed 4-pol./ 60 Hz n_2 [RPM]	$T_{2 max}$ 4 - pol. [LB-IN]	max input power, Type W at $f_B \geq 1$				Available NEMA adapters *															
				4 - pol. [HP] *	6 - pol. [HP] *	8 - pol. [HP] *	12 - pol. [HP] *																
SK 773	343.08	4.80	7390	0.56	0.37	0.28	0.19	56	140	-	-	-	-	-	-	-	-	-	-	-	-	-	
	293.34	5.50	6328	0.55	0.36	0.28	0.18	56	140	-	-	-	-	-	-	-	-	-	-	-	-	-	
	269.99	6.10	7655	0.74	0.49	0.37	0.24	56	-	-	-	-	-	-	-	-	-	-	-	-	-	-	
	230.85	7.20	7655	0.87	0.58	0.44	0.29	56	-	-	-	-	-	-	-	-	-	-	-	-	-	-	
	W	212.92	7.80	7655	0.95	0.63	0.47	0.31	56	140	-	-	-	-	-	-	-	-	-	-	-	-	-
		182.05	9.10	7655	1.10	0.73	0.55	0.36	56	140	-	-	-	-	-	-	-	-	-	-	-	-	-
	+	173.85	9.50	7655	1.15	0.76	0.58	0.38	56	140	-	-	-	-	-	-	-	-	-	-	-	-	-
		148.64	11.00	7655	1.34	0.88	0.67	0.44	56	140	-	-	-	-	-	-	-	-	-	-	-	-	-
	NEMA	140.89	12.00	7655	1.46	0.96	0.73	0.48	56	140	-	-	-	-	-	-	-	-	-	-	-	-	-
		115.04	14.00	7655	1.70	1.12	0.85	0.56	56	140	-	-	-	-	-	-	-	-	-	-	-	-	-
		98.15	17.00	5974	1.61	1.06	0.81	0.53	56	140	-	-	-	-	-	-	-	-	-	-	-	-	-
		80.14	20.00	7655	2.43	1.60	1.21	0.80	56	140	-	-	-	-	-	-	-	-	-	-	-	-	-
		75.95	23.00	7655	2.79	1.84	1.40	0.92	56	140	180	-	-	-	-	-	-	-	-	-	-	-	-
		68.49	25.00	7655	3.04	2.00	1.52	1.00	56	140	180	-	-	-	-	-	-	-	-	-	-	-	-
		64.94	26.00	7655	3.16	2.08	1.58	1.04	56	140	180	-	-	-	-	-	-	-	-	-	-	-	-
		57.73	30.00	7655	3.64	2.40	1.82	1.20	56	140	180	210	-	-	-	-	-	-	-	-	-	-	-
		49.36	35.00	7655	4.25	2.80	2.12	1.40	56	140	180	210	-	-	-	-	-	-	-	-	-	-	-
		42.60	41.00	7567	4.92	3.25	2.46	1.62	56	140	180	210	-	-	-	-	-	-	-	-	-	-	-
		36.79	47.00	7257	5.41	3.57	2.70	1.79	56	140	180	210	-	-	-	-	-	-	-	-	-	-	-
		32.97	53.00	7257	6.10	4.03	3.05	2.01	56	140	180	210	-	-	-	-	-	-	-	-	-	-	-
		28.47	61.00	7257	7.02	4.63	3.51	2.32	56	140	180	210	-	-	-	-	-	-	-	-	-	-	-
		25.13	70.00	7257	8.06	5.32	4.03	2.66	56	140	180	210	-	-	-	-	-	-	-	-	-	-	-
		22.37	78.00	7257	8.98	5.93	4.49	2.96	-	-	180	210	-	-	-	-	-	-	-	-	-	-	-
		19.61	89.00	6992	9.87	6.51	4.93	3.26	-	-	180	210	-	-	-	-	-	-	-	-	-	-	-
17.50		100.00	6992	11.09	7.32	5.54	3.66	56	140	180	210	-	-	-	-	-	-	-	-	-	-	-	
15.58		112.00	6726	11.95	7.89	5.97	3.94	-	-	180	210	-	-	-	-	-	-	-	-	-	-	-	
13.66		127.00	6549	13.19	8.71	6.60	4.35	-	-	180	210	-	-	-	-	-	-	-	-	-	-	-	
SK 772		62.32	26.00	4071	1.68	1.11	0.84	0.55	56	140	-	-	-	-	-	-	-	-	-	-	-	-	-
	59.53	28.00	3806	1.69	1.12	0.84	0.56	56	140	-	-	-	-	-	-	-	-	-	-	-	-	-	
	51.09	32.00	5045	2.56	1.69	1.28	0.84	56	140	-	-	-	-	-	-	-	-	-	-	-	-	-	
	48.81	34.00	4779	2.58	1.70	1.29	0.85	56	140	-	-	-	-	-	-	-	-	-	-	-	-	-	
	W	43.45	38.00	4292	2.59	1.71	1.29	0.85	56	140	-	-	-	-	-	-	-	-	-	-	-	-	-
		38.29	43.00	4292	2.93	1.93	1.46	0.97	56	140	-	-	-	-	-	-	-	-	-	-	-	-	-
	+	35.64	49.00	7080	5.50	3.63	2.75	1.82	56	140	180	-	-	-	-	-	-	-	-	-	-	-	-
		34.05	50.00	6726	5.33	3.52	2.67	1.76	56	140	180	-	-	-	-	-	-	-	-	-	-	-	-
	NEMA	30.31	58.00	6062	5.58	3.68	2.79	1.84	56	140	180	-	-	-	-	-	-	-	-	-	-	-	-
		26.71	65.00	5354	5.52	3.64	2.76	1.82	56	140	180	-	-	-	-	-	-	-	-	-	-	-	-
		24.72	70.00	7257	8.06	5.32	4.03	2.66	-	-	180	210	-	-	-	-	-	-	-	-	-	-	-
		23.62	73.00	7257	8.40	5.55	4.20	2.77	-	-	180	210	-	-	-	-	-	-	-	-	-	-	-
		21.02	83.00	7257	9.55	6.31	4.78	3.15	-	-	180	210	-	-	-	-	-	-	-	-	-	-	-
		18.53	94.00	6903	10.29	6.79	5.15	3.40	-	-	180	210	-	-	-	-	-	-	-	-	-	-	-
		17.36	100.00	6903	10.95	7.23	5.47	3.61	56	140	180	210	-	-	-	-	-	-	-	-	-	-	-
		15.89	109.00	6195	10.71	7.07	5.35	3.53	-	-	180	210	-	-	-	-	-	-	-	-	-	-	-
		15.66	110.00	6549	11.43	7.54	5.71	3.77	56	140	180	210	-	-	-	-	-	-	-	-	-	-	-
		13.54	128.00	6372	12.94	8.54	6.47	4.27	56	140	180	210	-	-	-	-	-	-	-	-	-	-	-
		12.10	144.00	6107	13.95	9.20	6.97	4.60	56	140	180	210	-	-	-	-	-	-	-	-	-	-	-
		10.23	170.00	5841	15.75	10.39	7.87	5.20	-	-	180	210	250	-	-	-	-	-	-	-	-	-	-
		9.11	192.00	5576	16.98	11.21	8.49	5.60	-	-	180	210	250	-	-	-	-	-	-	-	-	-	-
		8.10	216.00	5576	19.10	12.61	9.55	6.30	-	-	180	210	250	-	-	-	-	-	-	-	-	-	-
		7.14	245.00	5399	20.00	13.20	10.00	6.60	-	-	180	210	250	-	-	-	-	-	-	-	-	-	-
		6.83	256.00	5266	20.00	13.20	10.00	6.60	-	-	180	210	250	-	-	-	-	-	-	-	-	-	-
6.02		290.00	5089	20.00	13.20	10.00	6.60	-	-	180	210	250	-	-	-	-	-	-	-	-	-	-	
5.16		338.00	5133	20.00	13.20	10.00	6.60	-	-	180	210	250	-	-	-	-	-	-	-	-	-	-	
4.37		400.00	4912	20.00	13.20	10.00	6.60	-	-	180	210	250	-	-	-	-	-	-	-	-	-	-	
3.81		458.00	4691	20.00	13.20	10.00	6.60	-	-	180	210	250	-	-	-	-	-	-	-	-	-	-	
3.22	542.00	4292	20.00	13.20	10.00	6.60	-	-	180	210	250	-	-	-	-	-	-	-	-	-	-		
2.81	622.00	3540	20.00	13.20	10.00	6.60	-	-	180	210	250	-	-	-	-	-	-	-	-	-	-		
2.38	733.00	3186	20.00	13.20	10.00	6.60	-	-	180	210	250	-	-	-	-	-	-	-	-	-	-		

Example: 143 TC and 145 TC motors bolt up to 140 adapter

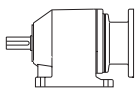
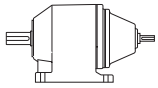
* max. Input power is limited by the standard NEMA frame power assignments.

For combination with servomotors or other high torque motors please contact NORD.

For permissible Overhung- and Thrust loads on the output shaft see corresponding tables in the Gear Motor section.

For permissible loads applied on the input shaft of Gearboxes (Type W) please see page 8.

See page 6 for additional selection criteria.



HELICAL SPEED REDUCER



TABLE OF CAPACITY AND RATIO
WITH SOLID INPUT SHAFT, TYPE W,
OR FOR ASSEMBLY WITH NEMA MOTORS

Size	Reduction ratio	Output speed	T _{2 max}	max input power, Type W at $f_b \geq 1$				Available NEMA adapters *	
				4 - pol.	6 - pol.	8 - pol.	12 - pol.		
	i_{total}	4-pol./ 60 Hz n ₂ [RPM]	4 - pol. [LB-IN]	4 - pol. [HP] *	6 - pol. [HP] *	8 - pol. [HP] *	12 - pol. [HP] *		
SK 873	208.67	7.60	14868	1.79	1.18	0.90	0.59	140 - - - - -	
	168.45	9.80	14868	2.31	1.53	1.16	0.76	140 - - - - -	
	145.57	12.00	14868	2.83	1.87	1.41	0.93	140 180 - - - - -	
	125.39	13.00	12346	2.55	1.68	1.27	0.84	140 - - - - -	
	W	117.51	14.00	14868	3.30	2.18	1.65	1.09	140 180 - - - - -
		97.74	17.00	14868	4.01	2.65	2.00	1.32	140 180 210 - - - - -
	+	88.16	19.00	14868	4.48	2.96	2.24	1.48	140 180 210 - - - - -
		81.51	22.00	14868	5.19	3.42	2.59	1.71	- 180 210 - - - - -
	NEMA	76.27	23.00	14868	5.42	3.58	2.71	1.79	140 180 210 - - - - -
		70.89	24.00	14868	5.66	3.74	2.83	1.87	140 180 210 - - - - -
		63.95	28.00	14868	6.60	4.36	3.30	2.18	140 180 210 - - - - -
		55.32	31.00	14868	7.31	4.82	3.66	2.41	140 180 210 - - - - -
		49.43	35.00	14868	8.25	5.45	4.13	2.72	140 180 210 - - - - -
		43.75	40.00	14868	9.43	6.23	4.72	3.11	- 180 210 250 280 - - - - -
		39.91	43.00	14868	10.14	6.69	5.07	3.35	140 180 210 - - - - -
		35.32	49.00	14868	11.55	7.63	5.78	3.81	- 180 210 250 280 - - - - -
31.42		55.00	14868	12.97	8.56	6.48	4.28	- 180 210 250 280 - - - - -	
26.49		66.00	14868	15.56	10.27	7.78	5.14	- 180 210 250 280 - - - - -	
23.38		74.00	14868	17.45	11.52	8.73	5.76	- 180 210 250 280 - - - - -	
19.72		89.00	14337	20.24	13.36	10.12	6.68	- 180 210 250 280 - - - - -	
16.69	104.00	13275	21.90	14.45	10.95	7.23	- 180 210 250 280 - - - - -		
SK 872	52.79	32.00	12479	6.33	4.18	3.17	2.09	140 180 - - - - -	
	45.81	38.00	10886	6.56	4.33	3.28	2.17	140 180 - - - - -	
	40.78	42.00	9735	6.48	4.28	3.24	2.14	140 180 - - - - -	
	36.68	47.00	13275	9.90	6.53	4.95	3.27	- 180 210 - - - - -	
	W	31.83	54.00	13806	11.82	7.80	5.91	3.90	- 180 210 - - - - -
		28.34	61.00	13718	13.27	8.76	6.64	4.38	- 180 210 - - - - -
	+	24.90	70.00	13718	15.23	10.05	7.61	5.03	- 180 210 250 - - - - -
		22.16	79.00	13541	16.97	11.20	8.48	5.60	- 180 210 250 - - - - -
	NEMA	18.77	92.00	12833	18.72	12.36	9.36	6.18	140 180 210 - - - - -
		18.32	95.00	12302	18.54	12.23	9.27	6.12	- 180 210 250 - - - - -
		16.78	104.00	12257	20.22	13.34	10.11	6.67	- 180 210 250 280 - - - - -
		15.25	114.00	11859	21.44	14.15	10.72	7.08	- 180 210 250 280 - - - - -
		14.56	120.00	12788	24.34	16.06	12.17	8.03	- 180 210 250 280 - - - - -
		13.23	132.00	12080	25.29	16.69	12.65	8.35	- 180 210 250 280 - - - - -
		11.61	151.00	11638	27.87	18.40	13.94	9.20	- 180 210 250 280 - - - - -
		10.34	169.00	11726	30.00	19.80	15.00	9.90	- 180 210 250 280 - - - - -
9.64		181.00	11284	30.00	19.80	15.00	9.90	- 180 210 250 280 - - - - -	
8.58		204.00	11240	30.00	19.80	15.00	9.90	- 180 210 250 280 - - - - -	
7.58		232.00	10841	30.00	19.80	15.00	9.90	- 180 210 250 280 - - - - -	
6.75		259.00	10664	30.00	19.80	15.00	9.90	- 180 210 250 280 - - - - -	
6.34		276.00	11417	30.00	19.80	15.00	9.90	- 180 210 250 280 - - - - -	
5.57		314.00	11063	30.00	19.80	15.00	9.90	- 180 210 250 280 - - - - -	
4.92	356.00	10753	30.00	19.80	15.00	9.90	- 180 210 250 280 - - - - -		
4.23	414.00	8408	30.00	19.80	15.00	9.90	- 180 210 250 280 - - - - -		
3.78	463.00	8275	30.00	19.80	15.00	9.90	- 180 210 250 280 - - - - -		
3.33	526.00	7611	30.00	19.80	15.00	9.90	- 180 210 250 280 - - - - -		
2.94	596.00	6992	30.00	19.80	15.00	9.90	- 180 210 250 280 - - - - -		

Example
143 TC and 145 TC motors
bolt up to 140 adapter

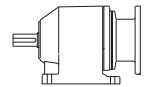
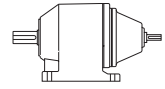
* max. Input power is limited by the standard NEMA frame power assignments.
For combination with servomotors or other high torque motors please contact NORD.

For permissible Overhung- and Thrust loads on the output shaft see corresponding tables in the Gear Motor section.
For permissible loads applied on the input shaft of Gearboxes (Type W) please see page 8.
See page 6 for additional selection criteria.



HELICAL SPEED REDUCER

TABLE OF CAPACITY AND RATIO
WITH SOLID INPUT SHAFT, TYPE W,
OR FOR ASSEMBLY WITH NEMA MOTORS



Size	Reduction ratio i_{total}	Output speed 4-pol./ 60 Hz n_2 [RPM]	T_2 max 4 - pol. [LB-IN]	max input power, Type W at $f_B \geq 1$				Available NEMA adapters *												
				4 - pol. [HP] *	6 - pol. [HP] *	8 - pol. [HP] *	12 - pol. [HP] *													
SK 973	370.96	4.40	28320	1.98	1.30	0.99	0.65	140	-	-	-	-	-	-	-	-	-	-	-	
	323.96	5.20	28320	2.34	1.54	1.17	0.77	140	-	-	-	-	-	-	-	-	-	-	-	
	267.31	6.40	28320	2.87	1.90	1.44	0.95	140	180	-	-	-	-	-	-	-	-	-	-	
	233.44	7.30	28320	3.28	2.16	1.64	1.08	140	180	-	-	-	-	-	-	-	-	-	-	
	W	203.02	8.20	25665	3.34	2.20	1.67	1.10	140	-	-	-	-	-	-	-	-	-	-	-
		169.33	10.00	28320	4.49	2.96	2.25	1.48	140	180	-	-	-	-	-	-	-	-	-	-
		146.30	12.00	28320	5.39	3.56	2.70	1.78	140	180	-	-	-	-	-	-	-	-	-	-
		124.17	14.00	28320	6.29	4.15	3.14	2.08	140	180	-	-	-	-	-	-	-	-	-	-
	NEMA	105.37	17.00	28320	7.64	5.04	3.82	2.52	140	180	210	-	-	-	-	-	-	-	-	-
		95.04	18.00	28320	8.09	5.34	4.04	2.67	140	180	210	-	-	-	-	-	-	-	-	-
		83.00	20.00	28320	8.98	5.93	4.49	2.96	140	180	210	-	-	-	-	-	-	-	-	-
		77.24	23.00	28320	10.33	6.82	5.17	3.41	-	180	210	250	280	-	-	-	-	-	-	-
		67.45	25.00	28320	11.23	7.41	5.61	3.71	-	180	210	250	280	-	-	-	-	-	-	-
		59.18	30.00	28320	13.48	8.89	6.74	4.45	-	180	210	250	280	-	-	-	-	-	-	-
		52.01	34.00	28320	15.27	10.08	7.64	5.04	140	180	210	-	-	-	-	-	-	-	-	-
		44.15	40.00	28320	17.97	11.86	8.98	5.93	140	180	210	-	-	-	-	-	-	-	-	-
		42.27	41.00	28320	18.42	12.15	9.21	6.08	-	180	210	250	280	-	-	-	-	-	-	-
		37.09	47.00	28320	21.11	13.93	10.56	6.97	-	180	210	250	280	-	-	-	-	-	-	-
		35.88	49.00	28320	22.01	14.53	11.00	7.26	-	180	210	250	280	-	-	-	-	-	-	-
		30.80	56.00	28320	25.15	16.60	12.58	8.30	-	180	210	250	280	-	-	-	-	-	-	-
27.50		64.00	28320	28.75	18.97	14.37	9.49	-	180	210	250	280	-	-	-	-	-	-	-	
24.20		72.00	27435	31.33	20.68	15.66	10.34	-	180	210	250	280	-	-	-	-	-	-	-	
21.37		82.00	25665	33.38	22.03	16.69	11.01	-	180	210	250	280	-	-	-	-	-	-	-	
20.54		85.00	24515	33.05	21.81	16.52	10.91	-	180	210	250	280	-	-	-	-	-	-	-	
18.14	96.00	23010	35.04	23.12	17.52	11.56	-	180	210	250	280	-	-	-	-	-	-	-		
SK 972	67.05	26.00	20355	8.39	5.54	4.20	2.77	140	180	-	-	-	-	-	-	-	-	-	-	
	56.59	31.00	18585	9.14	6.03	4.57	3.02	140	180	-	-	-	-	-	-	-	-	-	-	
	46.91	37.00	20355	11.95	7.88	5.97	3.94	-	180	210	-	-	-	-	-	-	-	-	-	
	39.59	43.00	20355	13.88	9.16	6.94	4.58	-	180	210	-	-	-	-	-	-	-	-	-	
	W	36.41	48.00	20355	15.50	10.23	7.75	5.11	-	180	210	250	-	-	-	-	-	-	-	-
		30.73	56.00	22656	20.12	13.28	10.06	6.64	-	180	210	250	-	-	-	-	-	-	-	-
	+	26.57	66.00	22656	23.72	15.65	11.86	7.83	-	180	210	250	-	-	-	-	-	-	-	-
		22.62	77.00	24780	30.26	19.97	15.13	9.99	-	180	210	250	280	-	-	-	-	-	-	-
	NEMA	22.53	78.00	21683	26.82	17.70	13.41	8.85	-	180	210	250	-	-	-	-	-	-	-	-
		20.37	85.00	23099	31.14	20.55	15.57	10.28	-	180	210	250	280	-	-	-	-	-	-	-
		17.77	98.00	22125	34.39	22.70	17.19	11.35	-	180	210	250	280	-	-	-	-	-	-	-
		15.46	113.00	21240	38.07	25.12	19.03	12.56	-	180	210	250	280	-	-	-	-	-	-	-
		13.96	126.00	20355	40.68	26.85	20.34	13.42	-	180	210	250	280	-	-	-	-	-	-	-
		12.41	142.00	19382	43.65	28.81	21.83	14.40	-	180	210	250	280	-	-	-	-	-	-	-
		11.79	149.00	18718	44.23	29.19	22.12	14.60	-	180	210	250	280	-	-	-	-	-	-	-
		10.47	168.00	18497	49.28	32.53	24.64	16.26	-	180	210	250	280	-	-	-	-	-	-	-
		9.05	194.00	17966	50.00	33.00	25.00	16.50	-	180	210	250	280	-	-	-	-	-	-	-
		8.64	204.00	18497	50.00	33.00	25.00	16.50	-	180	210	250	280	-	-	-	-	-	-	-
		7.68	229.00	18010	50.00	33.00	25.00	16.50	-	180	210	250	280	-	-	-	-	-	-	-
		6.75	262.00	17567	50.00	33.00	25.00	16.50	-	180	210	250	280	-	-	-	-	-	-	-
5.89		300.00	16904	50.00	33.00	25.00	16.50	-	-	-	250	280	-	-	-	-	-	-	-	
5.42		325.00	16638	50.00	33.00	25.00	16.50	-	180	210	250	280	-	-	-	-	-	-	-	
4.82		366.00	16638	50.00	33.00	25.00	16.50	-	180	210	250	280	-	-	-	-	-	-	-	
4.23		418.00	15488	50.00	33.00	25.00	16.50	-	180	210	250	280	-	-	-	-	-	-	-	
3.70		476.00	14603	50.00	33.00	25.00	16.50	-	-	-	250	280	-	-	-	-	-	-	-	
3.02		584.00	12611	50.00	33.00	25.00	16.50	-	-	-	-	-	-	-	-	-	-	-	-	

Example
143 TC and 145 TC motors
bolt up to 140 adapter

* max. Input power is limited by the standard NEMA frame power assignments.
For combination with servomotors or other high torque motors please contact NORD.

For permissible Overhung- and Thrust loads on the output shaft see corresponding tables in the Gear Motor section.
For permissible loads applied on the input shaft of Gearboxes (Type W) please see page 8.
See page 6 for additional selection criteria.

HELICAL SPEED REDUCERS



TABLE OF WEIGHTS - TYPE W AND NEMA ADAPTERS

Weights approx. [LBS] Mounting position B3							
Type	W	NEMA 56	NEMA 140	NEMA 180	NEMA 210	NEMA 250	NEMA 280
SK 172	17	25	25				
SK 272 SK 273	27 28	35 36	35 36	56 57			
SK 372 SK 373	27 28	35 36	35 36	56 57			
SK 472 SK 473	51 52	56 57	56 57	85 86	85 86		
SK 572 SK 573	51 52	56 57	56 57	85 86	85 86		
SK 672 SK 673	70 70	75 75	75 75	104 104	104 104		
SK 772 SK 773	84 88	86 89	86 89	115 119	115 119	138	
SK 872 SK 873	166 169		164 167	190 192	190 192	212 215	234 237
SK 972 SK 973	290 288		266 265	292 291	292 291	314 313	336 335

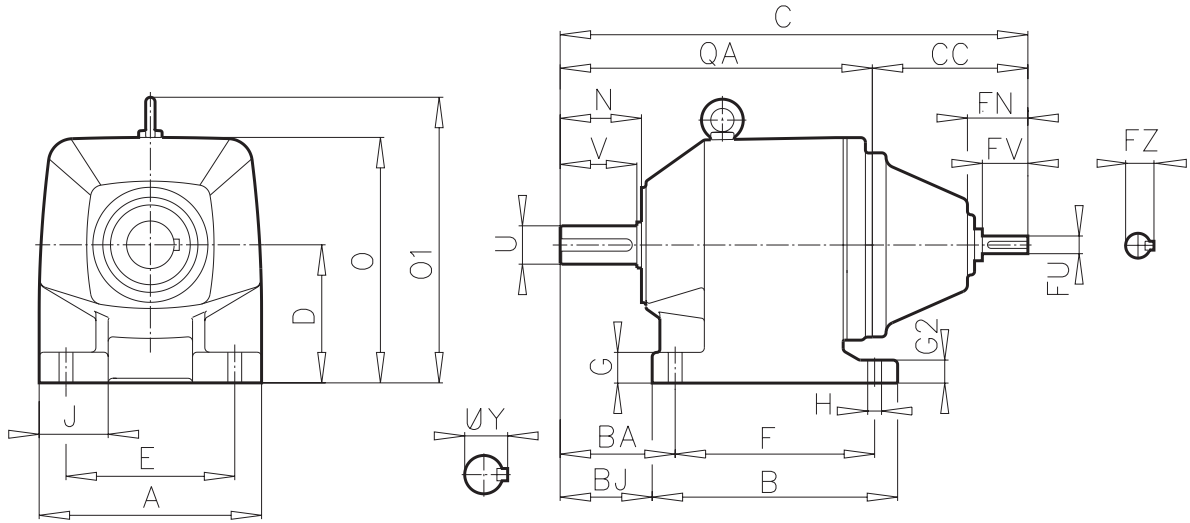
Note: Weights will vary depending on the ratio and oil fill quantity.

Technical design may be subject to change.

HELICAL SPEED REDUCER



DOUBLE AND TRIPLE REDUCTION WITH SOLID INPUT SHAFT - TYPE W



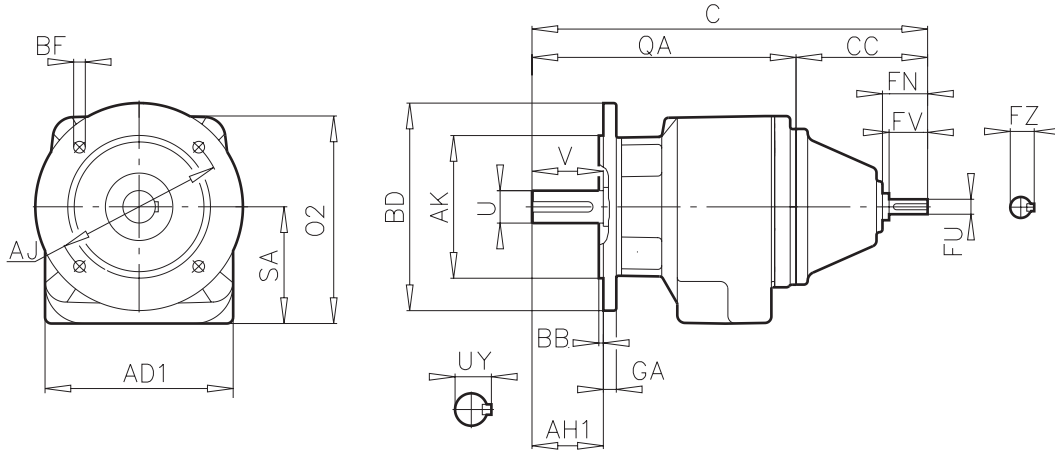
Type	Mounting dimensions (foot)				Outline dimensions								Shaft dimensions					
	A B	E F	G G2	H J	BA	BJ	C CC	D	FN	N	O O1	QA	Output shaft			Input shaft		
													U	UY Key	V	FU	FV Key	FZ
SK 172 - W	5.31	4.33	0.47	0.35	2.28	1.79	11.14	2.95	1.73	1.65	5.51	6.85	0.750	0.83	1.57	0.500	1.13	0.56
	5.45	4.33	0.39	0.98			4.29				--		3/16 * 3/16 * 1			1/8 * 1/8 * 7/8		
SK 272 - W	5.71	4.33	0.79	0.35	2.95	2.36	12.48	3.54	1.73	2.09	6.30	8.19	1.000	1.11	1.97	0.625	1.57	0.70
	6.30	5.12	0.59	1.77			4.29				--		1/4 * 1/4 * 1-1/4			3/16 * 3/16 * 1		
SK 273 - W	5.71	4.33	0.71	0.35	2.95	2.52	12.48	3.54	1.73	2.09	6.10	8.19	1.000	1.11	1.97	0.625	1.57	0.70
	5.98	5.12	0.59	1.77			4.29				--		1/4 * 1/4 * 1-1/4			3/16 * 3/16 * 1		
SK 372 - W	5.71	4.33	0.79	0.35	2.95	2.36	12.48	3.54	1.73	2.09	6.30	8.19	1.000	1.11	1.97	0.625	1.57	0.70
	6.30	5.12	0.59	1.77			4.29				--		1/4 * 1/4 * 1-1/4			3/16 * 3/16 * 1		
SK 373 - W	5.83	4.33	0.79	0.35	2.95	2.36	12.48	3.54	1.73	2.09	6.30	8.19	1.000	1.11	1.97	0.625	1.57	0.70
	6.30	5.12	0.59	1.77			4.29				--		1/4 * 1/4 * 1-1/4			3/16 * 3/16 * 1		
SK 472 - W	7.48	5.31	0.98	0.53	3.54	2.85	14.52	4.53	1.69	2.52	8.27	10.23	1.250	1.36	2.36	0.750	1.57	0.83
	7.87	6.50	0.79	2.36			4.29				--		1/4 * 1/4 * 1-5/8			3/16 * 3/16 * 1-1/16		
SK 473 - W	7.48	5.31	0.98	0.53	3.54	2.85	14.52	4.53	1.69	2.52	7.87	10.23	1.250	1.36	2.36	0.750	1.57	0.83
	7.87	6.50	0.79	2.36			4.29				--		1/4 * 1/4 * 1-5/8			3/16 * 3/16 * 1-1/16		
SK 572 - W	7.48	5.31	0.98	0.53	3.94	3.25	14.92	4.53	1.69	2.91	8.27	10.63	1.375	1.52	2.75	0.750	1.57	0.83
	7.87	6.50	0.79	2.36			4.29				--		5/16 * 5/16 * 2-1/8			3/16 * 3/16 * 1-1/16		
SK 573 - W	7.48	5.31	0.98	0.53	3.94	3.25	14.92	4.53	1.69	2.91	8.27	10.63	1.375	1.52	2.75	0.750	1.57	0.83
	7.87	6.50	0.79	2.36			4.29				--		5/16 * 5/16 * 2-1/8			3/16 * 3/16 * 1-1/16		
SK 672 - W	8.27	5.91	1.18	0.53	3.94	3.15	15.75	5.12	1.69	2.91	9.13	11.42	1.375	1.52	2.75	0.750	1.57	0.83
	9.25	7.68	0.98	2.36			4.33				10.43		5/16 * 5/16 * 2-1/8			3/16 * 3/16 * 1-1/16		
SK 673 - W	8.27	5.91	1.18	0.53	3.94	3.15	15.75	5.12	1.69	2.91	9.13	11.42	1.375	1.52	2.75	0.750	1.57	0.83
	9.25	7.68	0.98	2.36			4.33				10.43		5/16 * 5/16 * 2-1/8			3/16 * 3/16 * 1-1/16		
SK 772 - W	9.06	6.69	1.18	0.69	4.53	3.74	17.32	5.51	2.09	3.31	9.92	12.52	1.625	1.79	3.15	0.875	1.97	0.96
	9.65	8.07	0.98	2.76			4.80				11.30		3/8 * 3/8 * 2-1/4			3/16 * 3/16 * 1-1/4		
SK 773 - W	9.06	6.69	1.18	0.69	4.53	3.74	17.32	5.51	2.09	3.31	9.92	12.52	1.625	1.79	3.15	0.875	1.97	0.96
	9.65	8.07	0.98	2.76			4.80				11.30		3/8 * 3/8 * 2-1/4			3/16 * 3/16 * 1-1/4		
SK 872 - W	11.42	8.46	1.77	0.69	5.51	4.53	21.74	7.09	2.52	4.13	12.76	15.28	2.125	2.35	3.94	1.125	2.36	1.24
	12.20	10.24	1.57	3.54			6.46				14.41		1/2 * 1/2 * 2-5/8			1/4 * 1/4 * 1-5/8		
SK 873 - W	11.42	8.46	1.77	0.69	5.51	4.53	21.74	7.09	2.52	4.13	12.76	15.28	2.125	2.35	3.94	1.125	2.36	1.24
	12.20	10.24	1.57	3.54			6.46				14.41		1/2 * 1/2 * 2-5/8			1/4 * 1/4 * 1-5/8		
SK 972 - W	13.39	9.84	2.17	0.87	6.30	5.22	25.99	8.86	3.35	4.96	15.67	17.09	2.375	2.65	4.72	1.375	3.15	1.52
	14.37	12.20	1.97	3.94			8.90				17.68		5/8 * 5/8 * 3-1/4			5/16 * 5/16 * 2-1/2		
SK 973 - W	13.39	9.84	2.17	0.87	6.30	5.22	25.99	8.86	3.35	4.96	15.67	17.09	2.375	2.65	4.72	1.375	3.15	1.52
	14.37	12.20	1.97	3.94			8.90				17.68		5/8 * 5/8 * 3-1/4			5/16 * 5/16 * 2-1/2		

See page 78 for metric shafts. Technical design may be subject to change. DXF files available upon request.

HELICAL SPEED REDUCER



DOUBLE AND TRIPLE REDUCTION WITH SOLID INPUT SHAFT - TYPE W



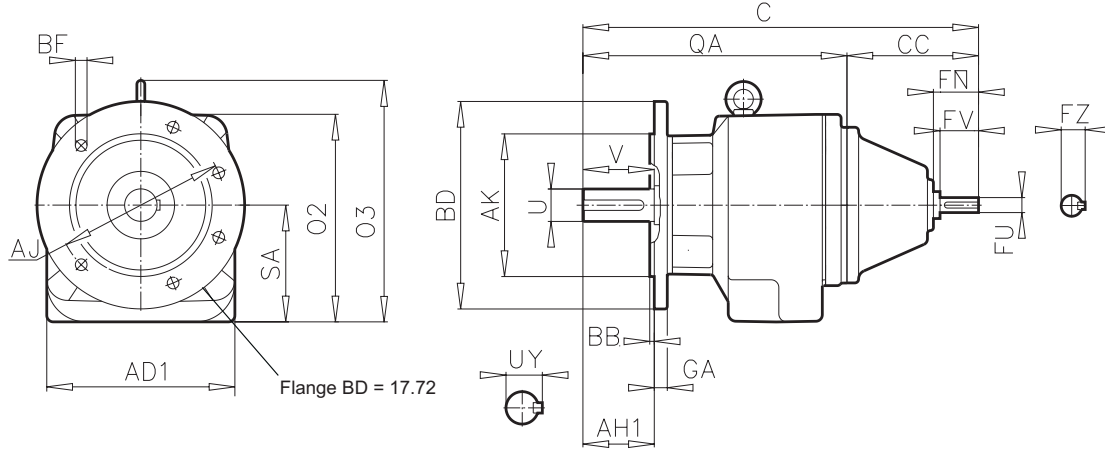
Type	Mounting dimensions (bolt-on B5 flange)						Outline dimensions							Shaft dimensions										
	AJ	AK	BB	BD	BF	GA	AD1	AH1	C	CC	FN	O2	QA	SA	Output shaft			Input shaft						
	Standard shown in bold. Must specify BD dimension																			Key			Key	
SK 172 F - W	3.94	3.150	0.12	4.72	0.26	0.39	5.31	1.57	11.14	4.29	1.73	5.59	6.85	3.03	0.750	0.83	1.57	0.500	1.13	0.56				
	4.53	3.740	0.12	5.51	0.35	0.39									3/16 * 3/16 * 1	1/8 * 1/8 * 7/8								
	5.12	4.331	0.14	6.30	0.35	0.39																		
	6.5	5.118	0.14	7.87	0.43	0.47																		
SK 272 F - W	3.94	3.150	0.12	4.72	0.26	0.39	5.71	1.97	12.48	4.29	1.73	6.38	8.19	3.62	1.000	1.11	1.97	0.625	1.57	0.70				
	5.12	4.331	0.14	6.30	0.35	0.39									1/4 * 1/4 * 1-1/4	3/16 * 3/16 * 1								
	6.50	5.118	0.14	7.87	0.43	0.47																		
	8.46	7.087	0.16	9.84	0.53	0.63																		
SK 273 F - W	3.94	3.150	0.12	4.72	0.26	0.39	5.83	1.97	13.27	4.29	1.73	6.18	8.98	3.62	1.000	1.11	1.97	0.625	1.57	0.70				
	5.12	4.331	0.14	6.30	0.35	0.39									1/4 * 1/4 * 1-1/4	3/16 * 3/16 * 1								
	6.50	5.118	0.14	7.87	0.43	0.47																		
	8.46	7.087	0.16	9.84	0.53	0.63																		
SK 372 F - W	3.94	3.150	0.12	4.72	0.26	0.39	5.71	1.97	12.48	4.29	1.73	6.38	8.19	3.62	1.000	1.11	1.97	0.625	1.57	0.70				
	6.50	5.118	0.14	7.87	0.43	0.47									1/4 * 1/4 * 1-1/4	3/16 * 3/16 * 1								
	8.46	7.087	0.16	9.84	0.53	0.63																		
SK 373 F - W	3.94	3.150	0.12	4.72	0.26	0.39	5.83	1.97	13.27	4.29	1.73	6.38	8.98	3.62	1.000	1.11	1.97	0.625	1.57	0.70				
	6.50	5.118	0.14	7.87	0.43	0.47									1/4 * 1/4 * 1-1/4	3/16 * 3/16 * 1								
	8.46	7.087	0.16	9.84	0.53	0.63																		
SK 472 F - W	5.12	4.331	0.14	6.30	0.35	0.39	7.48	2.36	14.53	4.29	1.69	8.35	10.24	4.61	1.250	1.36	2.36	0.750	1.57	0.83				
	6.50	5.118	0.14	7.87	0.43	0.47									1/4 * 1/4 * 1-5/8	3/16 * 3/16 * 1-1/16								
	8.46	7.087	0.16	9.84	0.53	0.63																		
	10.43	9.055	0.16	11.81	0.53	0.79																		
SK 473 F - W	5.12	4.331	0.14	6.30	0.35	0.39	7.48	2.36	15.16	4.29	1.69	8.35	10.87	4.61	1.250	1.36	2.36	0.750	1.57	0.83				
	6.50	5.118	0.14	7.87	0.43	0.47									1/4 * 1/4 * 1-5/8	3/16 * 3/16 * 1-1/16								
	8.46	7.087	0.16	9.84	0.53	0.63																		
	10.43	9.055	0.16	11.81	0.53	0.79																		

See page 78 for metric shafts.
Technical design may be subject to change. DXF files available upon request.

HELICAL SPEED REDUCER



DOUBLE AND TRIPLE REDUCTION WITH SOLID INPUT SHAFT - TYPE W



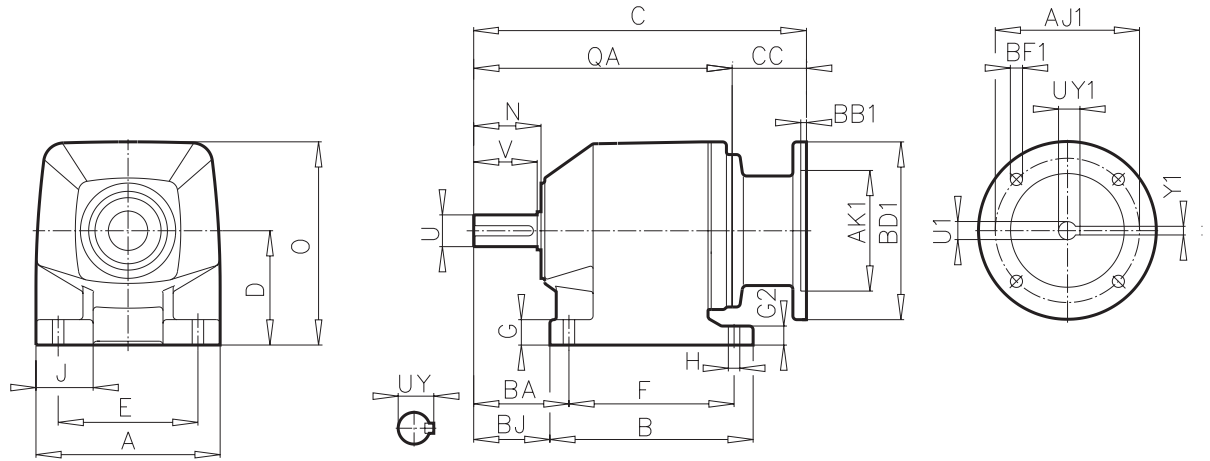
Type	Mounting dimensions (bolt-on B5 flange)						Outline dimensions							Shaft dimensions						
	AJ	AK	BB	BD	BF	GA	AD1	AH1	C	CC	FN	O2	QA	SA	Output shaft			Input shaft		
	Standard shown in bold. Must specify BD dimension.											O3			U	UY	V	FU	FV	FZ
SK 572 F - W	5.12	4.331	0.14	6.30	0.35	0.39	7.48	2.76	14.92	4.29	1.69	8.35	10.63	4.61	Key			Key		
	6.50	5.118	0.14	7.87	0.43	0.47						--			1.375	1.52	2.75	0.750	1.57	0.83
	8.46	7.087	0.16	9.84	0.53	0.63									<i>5/16 * 5/16 * 2-1/8</i>	<i>3/16 * 3/16 * 1-1/16</i>				
	10.43	9.055	0.16	11.81	0.53	0.79														
SK 573 F - W	5.12	4.331	0.14	6.30	0.35	0.39	7.48	2.76	15.55	4.29	1.69	8.35	11.26	4.61	Key			Key		
	6.50	5.118	0.14	7.87	0.43	0.47						--			1.250	1.36	2.36	0.75	1.57	0.83
	8.46	7.087	0.16	9.84	0.53	0.63									<i>1/4 * 1/4 * 1-11/16</i>	<i>3/16 * 3/16 * 1-1/16</i>				
	10.43	9.055	0.16	11.81	0.53	0.79														
SK 672 F - W	6.50	5.118	0.14	7.87	0.43	0.47	8.27	2.76	15.75	4.33	1.69	9.13	11.42	5.28	Key			Key		
	8.46	7.087	0.16	9.84	0.53	0.63									1.375	1.52	2.75	0.750	1.57	0.83
	10.43	9.055	0.16	11.81	0.53	0.79									<i>5/16 * 5/16 * 2-1/8</i>	<i>3/16 * 3/16 * 1-1/16</i>				
SK 673 F - W	6.50	5.118	0.14	7.87	0.43	0.47	8.27	2.76	16.69	4.33	1.69	9.13	12.36	5.28	Key			Key		
	8.46	7.087	0.16	9.84	0.53	0.63									1.375	1.52	2.75	0.750	1.57	0.83
	10.43	9.055	0.16	11.81	0.53	0.79									<i>5/16 * 5/16 * 2-1/8</i>	<i>3/16 * 3/16 * 1-1/16</i>				
SK 772 F - W	6.50	5.118	0.14	7.87	0.43	0.47	9.06	3.15	17.32	4.80	2.09	9.92	12.52	5.51	Key			Key		
	8.46	7.087	0.16	9.84	0.53	0.63									1.625	1.79	3.15	0.875	1.97	0.96
	10.43	9.055	0.16	11.81	0.53	0.79									<i>3/8 * 3/8 * 2-1/4</i>	<i>3/16 * 3/16 * 1-1/4</i>				
SK 773 F - W	6.50	5.118	0.14	7.87	0.43	0.47	9.06	3.15	17.48	4.80	2.09	9.92	12.68	5.51	Key			Key		
	8.46	7.087	0.16	9.84	0.53	0.63									1.625	1.79	3.15	0.875	1.97	0.96
	10.43	9.055	0.16	11.81	0.53	0.79									<i>3/8 * 3/8 * 2-1/4</i>	<i>3/16 * 3/16 * 1-1/4</i>				
SK 872 F - W	8.46	7.087	0.16	9.84	0.53	0.63	11.42	3.94	21.74	6.46	2.52	12.76	15.28	7.09	Key			Key		
	10.43	9.055	0.16	11.81	0.53	0.79									2.125	2.35	3.94	1.125	2.36	1.24
	11.81	9.843	0.20	13.78	0.69	0.79									<i>1/2 * 1/2 * 2-5/8</i>	<i>1/4 * 1/4 * 1-5/8</i>				
SK 873 F - W	8.46	7.087	0.16	9.84	0.53	0.63	11.42	3.94	22.09	6.46	2.52	12.76	15.63	7.09	Key			Key		
	10.43	9.055	0.16	11.81	0.53	0.79									2.125	2.35	3.94	1.125	2.36	1.24
	11.81	9.843	0.20	13.78	0.69	0.79									<i>1/2 * 1/2 * 2-5/8</i>	<i>1/4 * 1/4 * 1-5/8</i>				
SK 972 F - W	10.43	9.055	0.16	11.81	0.53	0.79	13.39	4.72	25.99	8.90	3.35	15.67	17.09	8.86	Key			Key		
	11.81	9.843	0.20	13.78	0.69	0.79									2.375	2.65	4.72	1.375	3.15	1.52
	15.75	13.780	0.20	17.72	0.69	0.87									<i>5/8 * 5/8 * 3-1/4</i>	<i>5/16 * 5/16 * 2-1/2</i>				
SK 973 F - W	10.43	9.055	0.16	11.81	0.53	0.79	13.39	4.72	26.58	8.90	3.35	15.67	17.64	8.86	Key			Key		
	11.81	9.843	0.20	13.78	0.69	0.79									2.375	2.65	3.94	1.375	3.15	1.52
	15.75	13.780	0.20	17.72	0.69	0.87									<i>5/8 * 5/8 * 3-1/4</i>	<i>5/16 * 5/16 * 2-1/2</i>				

See page 78 for metric shafts.
Technical design may be subject to change. DXF files available upon request.

HELICAL SPEED REDUCER



DOUBLE AND TRIPLE REDUCTION FOR ASSEMBLY WITH NEMA MOTORS



Type	Mounting dimensions (foot)				Outline dimensions								Shaft dimensions					
	A	E	G	H	BA	BJ	C	CC	D	N	O	QA	U	UY	V			
SK 172 - 56 C - 140 TC	5.31	4.33	0.47	0.35	2.28	1.79	11.14	4.29	2.95	1.65	5.51	6.85	0.750	0.83	1.57			
	5.45	4.33	0.39	0.98			11.14	4.29								3/16 * 3/16 * 1-1/16		
SK 272 - 56 C - 140 TC - 180 TC	5.71	4.33	0.79	0.35	2.95	2.36	12.46	4.29	3.54	2.09	6.30	8.17	1.000	1.11	1.97			
	6.30	5.12	0.59	1.77			14.27	5.51								8.76	1/4 * 1/4 * 1-1/4	
SK 273 - 56 C - 140 TC	5.71	4.33	0.71	0.35	2.95	2.52	12.48	4.29	3.54	2.09	6.10	8.19	1.000	1.11	1.97			
	5.98	5.12	0.59	1.77			12.48	4.29								1/4 * 1/4 * 1-1/4		
SK 372 - 56 C - 140 TC - 180 TC	5.71	4.33	0.79	0.35	2.95	2.36	12.46	4.29	3.54	2.09	6.30	8.17	1.000	1.11	1.97			
	6.30	5.12	0.59	1.77			14.27	5.51								8.76	1/4 * 1/4 * 1-1/4	
SK 373 - 56 C - 140 TC - 180 TC	5.83	4.33	0.79	0.35	2.95	2.36	12.46	4.29	3.54	2.09	6.30	8.17	1.000	1.11	1.97			
	6.30	5.12	0.59	1.77			12.46	4.29								3.54	2.09	6.30
SK 472 - 56 C - 140 TC - 180 TC - 210 TC	7.48	5.31	0.98	0.53	3.54	2.85	13.96	4.29	4.53	2.52	8.27	9.67	1.250	1.36	2.36			
	7.87	6.50	0.79	2.36			13.96	4.29								18.01	7.48	10.53
							18.01	7.48								1/4 * 1/4 * 1-11/16		
SK 473 - 56 C - 140 TC - 180 TC - 210 TC	7.48	5.31	0.98	0.53	3.54	2.85	13.96	4.29	4.53	2.52	7.87	9.67	1.250	1.36	2.36			
	7.87	6.50	0.79	2.36			13.96	4.29								18.01	7.48	10.53
							18.01	7.48								1/4 * 1/4 * 1-11/16		

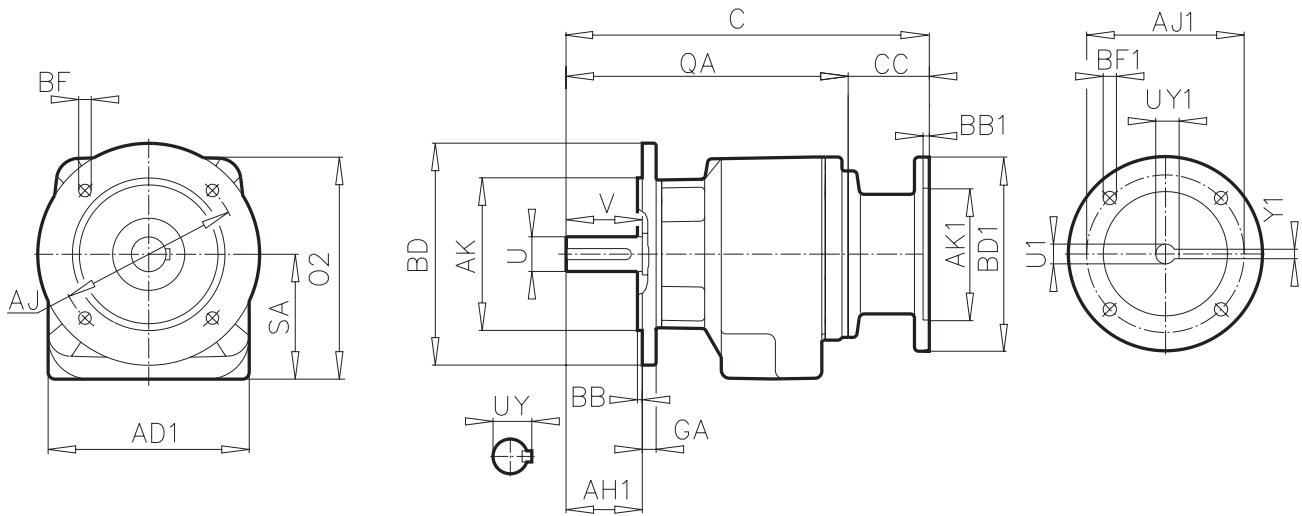
NEMA	AJ1	AK1	BB1	BD1	BF1	U1	UY1	Y1
56 C	5.88	4.500	0.20	6.61	0.43	0.625	0.71	0.188
140 TC	5.88	4.500	0.20	6.61	0.43	0.875	0.96	0.188
180 TC	7.25	8.500	0.23	9.17	0.59	1.125	1.24	0.250
210 TC	7.25	8.500	0.23	9.17	0.59	1.375	1.52	0.312

See page 78 for metric shafts and for IEC motor adapters.
Technical design may be subject to change. DXF files available upon request.

HELICAL SPEED REDUCER



DOUBLE AND TRIPLE REDUCTION FOR ASSEMBLY WITH NEMA MOTORS



Type	Mounting dimensions (bolt-on B5 flange)						Outline dimensions							Shaft dimensions			
	AJ	AK	BB	BD	BF	GA	AD1	AH1	C	CC	O2	QA	SA	U	UY	V	
	Standard shown in bold. Must specify BD dimension.														Key		
SK 172 F - 56 C - 140 TC	3.94	3.150	0.12	4.72	0.26	0.39	5.31	1.57	11.14	4.29	5.59	6.85	3.03	0.750	0.83	1.57	
	4.53	3.740	0.12	5.51	0.35	0.39			11.14	4.29				3/16 * 3/16 * 1			
	5.12	4.331	0.14	6.30	0.35	0.39											
	6.50	5.118	0.14	7.87	0.43	0.47											
SK 272 F - 56 C - 140 TC - 180 TC	3.94	3.150	0.12	4.72	0.26	0.39			12.46	4.29		8.17		1.000	1.11	1.97	
	4.53	3.740	0.12	5.51	0.35	0.39	5.71	1.97	12.46	4.29	6.38		3.62	1/4 * 1/4 * 1-1/4			
	5.12	4.331	0.14	6.30	0.35	0.39			14.27	5.51		8.76		1/4 * 1/4 * 1-1/4			
	6.50	5.118	0.14	7.87	0.43	0.47											
SK 273 F - 56 C - 140 TC	3.94	3.150	0.12	4.72	0.26	0.39	5.83	1.97	13.27	4.29	6.18	8.98	3.62	1.000	1.11	1.97	
	4.53	3.740	0.12	5.51	0.35	0.39			13.27	4.29				1/4 * 1/4 * 1-1/4			
	5.12	4.331	0.14	6.30	0.35	0.39								1/4 * 1/4 * 1-1/4			
	6.50	5.118	0.14	7.87	0.43	0.47											
SK 372 F - 56 C - 140 TC - 180 TC	3.94	3.150	0.12	4.72	0.26	0.39			12.46	4.29		8.17		1.000	1.11	1.97	
	4.53	3.740	0.12	5.51	0.35	0.39	5.71	1.97	12.46	4.29	6.38		3.62	1/4 * 1/4 * 1-1/4			
	5.12	4.331	0.14	6.30	0.35	0.39			14.27	5.51		8.76		1/4 * 1/4 * 1-1/4			
	6.50	5.118	0.14	7.87	0.43	0.47											
SK 373 F - 56 C - 140 TC - 180 TC	3.94	3.150	0.12	4.72	0.26	0.39			13.25	4.29		8.96		1.000	1.11	1.97	
	4.53	3.740	0.12	5.51	0.35	0.39	5.83	1.97	13.25	4.29	6.38		3.62	1/4 * 1/4 * 1-1/4			
	5.12	4.331	0.14	6.30	0.35	0.39			15.06	5.51		9.55		1/4 * 1/4 * 1-1/4			
	6.50	5.118	0.14	7.87	0.43	0.47											
SK 472 F - 56 C - 140 TC - 180 TC - 210 TC	5.12	4.331	0.14	6.30	0.35	0.39			13.96	4.29		9.67		1.250	1.36	2.36	
	6.50	5.118	0.14	7.87	0.43	0.47	7.48	2.36	13.96	4.29	8.35		4.61	1/4 * 1/4 * 1-5/8			
	8.46	7.087	0.16	9.84	0.53	0.63			18.01	7.48		10.53		1/4 * 1/4 * 1-5/8			
	10.43	9.055	0.16	11.81	0.53	0.79			18.01	7.48							
SK 473 F - 56 C - 140 TC - 180 TC - 210 TC	5.12	4.331	0.14	6.30	0.35	0.39			14.59	4.29		10.30		1.250	1.36	2.36	
	6.50	5.118	0.14	7.87	0.43	0.47	7.48	2.36	14.590	4.29	8.35		4.61	1/4 * 1/4 * 1-5/8			
	8.46	7.087	0.16	9.84	0.53	0.63			18.64	7.48		11.16		1/4 * 1/4 * 1-5/8			
	10.43	9.055	0.16	11.81	0.53	0.79			18.64	7.48							

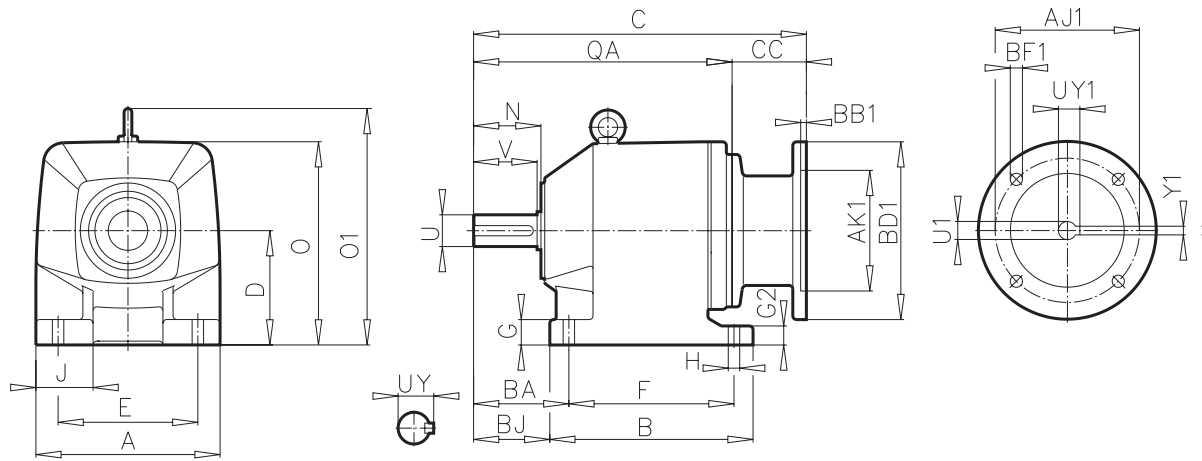
NEMA	AJ1	AK1	BB1	BD1	BF1	U1	UY1	Y1
56 C	5.88	4.500	0.20	6.61	0.43	0.625	0.71	0.188
140 TC	5.88	4.500	0.20	6.61	0.43	0.875	0.96	0.188
180 TC	7.25	8.500	0.23	9.17	0.59	1.125	1.24	0.250
210 TC	7.25	8.500	0.23	9.17	0.59	1.375	1.52	0.312

See page 78 for metric shafts and for IEC motor adapters. Technical design may be subject to change. DXF files available upon request.

HELICAL SPEED REDUCER



DOUBLE AND TRIPLE REDUCTION FOR ASSEMBLY WITH NEMA MOTORS



Type	Mounting dimensions (foot)				Outline dimensions								Shaft dimensions										
	A	E	G	H	BA	BJ	C	CC	D	N	O	O1	QA	U	UY	V							
SK 572 - 56 C - 140 TC - 180 TC - 210 TC	7.48	5.31	0.98	0.53	3.94	3.25	14.35	4.29	4.53	2.91	8.27	--	10.06	1.375	1.52	2.75							
	7.87	6.50	0.79	2.36			14.35	4.29					18.41				7.48	10.93					
													5/16 * 5/16 * 2-1/8										
													5/16 * 5/16 * 2-1/8										
SK 573 - 56 C - 140 TC - 180 TC - 210 TC	7.48	5.31	0.98	0.53	3.94	3.25	14.35	4.29	4.53	2.91	8.27	--	10.06	1.375	1.52	2.75							
	7.87	6.50	0.79	2.36			14.35	4.29					18.41				7.48	10.93					
													5/16 * 5/16 * 2-1/8										
													5/16 * 5/16 * 2-1/8										
SK 672 - 56 C - 140 TC - 180 TC - 210 TC	8.27	5.91	1.18	0.53	3.94	3.15	15.18	4.29	5.12	2.91	9.13	10.43	10.89	1.375	1.52	2.75							
	9.25	7.68	0.98	2.36			15.18	4.29					19.23				7.48	11.75					
													5/16 * 5/16 * 2-1/8										
													5/16 * 5/16 * 2-1/8										
SK 673 - 56 C - 140 TC - 180 TC - 210 TC	8.27	5.91	1.18	0.53	3.94	3.15	15.18	4.29	5.12	2.91	9.13	10.43	10.89	1.375	1.52	2.75							
	9.25	7.68	0.98	2.36			15.18	4.29					19.23				7.48	11.75					
													5/16 * 5/16 * 2-1/8										
													5/16 * 5/16 * 2-1/8										
SK 772 - 56 C - 140 TC - 180 TC - 210 TC - 250 TC	9.06	6.69	1.18	0.69	4.53	3.74	15.92	4.29	5.51	3.31	9.92	11.30	11.63	1.625	1.79	3.15							
	0.65	8.07	0.98	2.76			15.92	4.29					19.98				7.48	12.50					
													3/8 * 3/8 * 2-1/4										
													3/8 * 3/8 * 2-1/4										
SK 773 - 56 C - 140 TC - 180 TC - 210 TC	9.06	6.69	1.18	0.69	4.53	3.74	15.92	4.29	5.51	3.31	9.92	11.30	11.63	1.625	1.79	3.15							
	9.65	8.07	0.98	2.76			15.92	4.29					19.98				7.48	12.50					
													3/8 * 3/8 * 2-1/4										
													3/8 * 3/8 * 2-1/4										

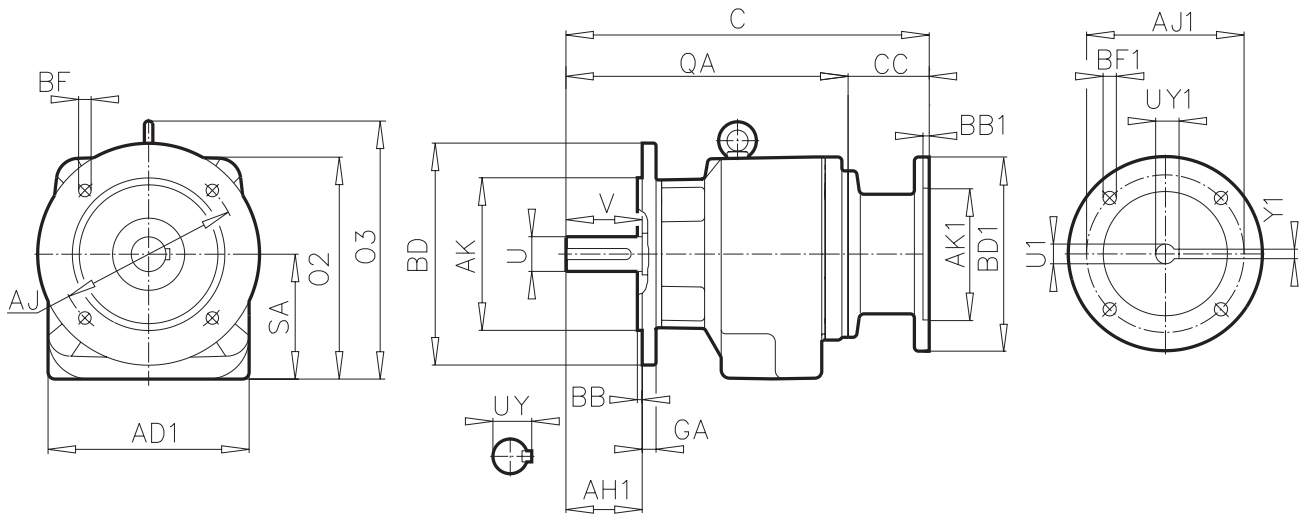
NEMA	AJ1	AK1	BB1	BD1	BF1	U1	UY1	Y1
56 C	5.88	4.500	0.20	6.61	0.43	0.625	0.71	0.188
140 TC	5.88	4.500	0.20	6.61	0.43	0.875	0.96	0.188
180 TC	7.25	8.500	0.23	9.17	0.59	1.125	1.24	0.250
210 TC	7.25	8.500	0.23	9.17	0.59	1.375	1.52	0.312
250 TC	7.25	8.500	0.23	9.17	0.59	1.625	1.80	0.375

See page 78 for metric shafts and for IEC motor adapters.
Technical design may be subject to change. DXF files available upon request.

HELICAL SPEED REDUCER



DOUBLE AND TRIPLE REDUCTION FOR ASSEMBLY WITH NEMA MOTORS



Type	Mounting dimensions (bolt-on B5 flange)						Outline dimensions								Shaft dimensions		
	AJ	AK	BB	BD	BF	GA	AD1	AH1	C	CC	O2	O3	QA	SA	U	UY	V
SK 572 F - 56 C - 140 TC - 180 TC - 210 TC	5.12	4.331	0.14	6.30	0.35	0.39			14.35	4.29			10.06		1.375	1.52	2.75
	6.50	5.118	0.14	7.87	0.43	0.47			14.35	4.29							
	8.46	7.087	0.16	9.84	0.53	0.63	7.48	2.76	18.41	7.48	8.35	--	10.93	4.61			
	10.43	9.055	0.16	11.81	0.53	0.79			18.41	7.48					5/16 * 5/16 * 2-1/8		
SK 573 F - 56 C - 140 TC - 180 TC - 210 TC	5.12	4.331	0.14	6.30	0.35	0.39			14.98	4.29			10.69		1.375	1.52	2.75
	6.50	5.118	0.14	7.87	0.43	0.47			14.98	4.29	8.35	--		4.61			
	8.46	7.087	0.16	9.84	0.53	0.63	7.48	2.76	19.04	7.48			11.56				
	10.43	9.055	0.16	11.81	0.53	0.79			19.04	7.48					5/16 * 5/16 * 2-1/8		
SK 672 F - 56 C - 140 TC - 180 TC - 210 TC	6.50	5.118	0.14	7.87	0.43	0.47			15.17	4.29			10.88		1.375	1.52	2.75
	8.46	7.087	0.16	9.84	0.53	0.63	8.27	2.76	15.17	4.29	9.13	10.43	5.28				
	10.43	9.055	0.16	11.81	0.53	0.79			19.23	7.48			11.75				
									19.23	7.48					5/16 * 5/16 * 2-1/8		
SK 673 F - 56 C - 140 TC - 180 TC - 210 TC	6.50	5.118	0.14	7.87	0.43	0.47			16.12	4.29			11.83		1.375	1.52	2.75
	8.46	7.087	0.16	9.84	0.53	0.63	8.27	2.76	16.12	4.29	9.13	10.43	5.28				
	10.43	9.055	0.16	11.81	0.53	0.79			20.18	7.48			12.70				
									20.18	7.48					5/16 * 5/16 * 2-1/8		
SK 772 F - 56 C - 140 TC - 180 TC - 210 TC - 250 TC	6.50	5.118	0.14	7.87	0.43	0.47			15.92	4.29			11.63		1.625	1.79	3.15
	8.46	7.087	0.16	9.84	0.53	0.63			15.92	4.29							
	10.43	9.055	0.16	11.81	0.53	0.79	9.06	3.15	19.98	7.48	9.92	11.30	12.50	5.51			
									19.98	7.48					3/8 * 3/8 * 2-1/4		
SK 773 F - 56 C - 140 TC - 180 TC - 210 TC	6.50	5.118	0.14	7.87	0.43	0.47			16.49	4.29			12.26		1.625	1.79	3.15
	8.46	7.087	0.16	9.84	0.53	0.63			16.49	4.29	9.92	11.30	5.51				
	10.43	9.055	0.16	11.81	0.53	0.79	9.06	3.15	20.61	7.48			13.13				
									20.61	7.48					3/8 * 3/8 * 2-1/4		

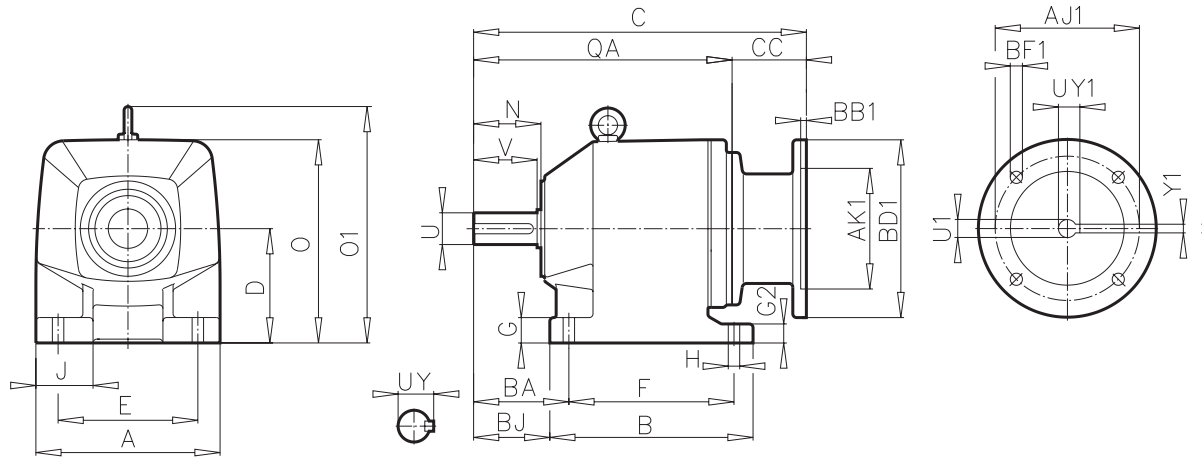
NEMA	AJ1	AK1	BB1	BD1	BF1	U1	UY1	Y1
56 C	5.88	4.500	0.20	6.61	0.43	0.625	0.71	0.188
140 TC	5.88	4.500	0.20	6.61	0.43	0.875	0.96	0.188
180 TC	7.25	8.500	0.23	9.17	0.59	1.125	1.24	0.250
210 TC	7.25	8.500	0.23	9.17	0.59	1.375	1.52	0.312
250 TC	7.25	8.500	0.23	9.17	0.59	1.625	1.80	0.375

See page 78 for metric shafts and for IEC motor adapters.
Technical design may be subject to change. DXF files available upon request.

HELICAL SPEED REDUCER



DOUBLE AND TRIPLE REDUCTION FOR ASSEMBLY WITH NEMA MOTORS



Type	Mounting dimensions (foot)				Outline dimensions								Shaft dimensions			
	A	E	G	H	BA	BJ	C	CC	D	N	O	O1	QA	U	UY	V
SK 872 - 140 TC - 180 TC - 210 TC - 250 TC - 280 TC							19.96	5.20					14.76	2.125	2.35	3.94
	11.42	8.46	1.77	0.69			22.52	7.48					15.04			
					5.51	4.53	22.52	7.48	7.09	4.13	12.76	14.41	15.04			
	12.20	10.24	1.57	3.54			23.37	8.09					15.28			
SK 873 - 140 TC - 180 TC - 210 TC - 250 TC - 280 TC							19.96	5.20					14.76	2.125	2.35	3.94
	11.42	8.46	1.77	0.69			22.52	7.48					15.04			
					5.51	4.53	22.52	7.48	7.09	4.13	12.76	14.41	15.04			
	12.20	10.24	1.57	3.54			23.37	8.09					15.28			
SK 972 - 140 TC - 180 TC - 210 TC - 250 TC - 280 TC							21.97	5.20					16.77	2.375	2.65	4.72
	13.39	9.84	2.17	0.87			24.35	7.48					16.87			
					6.30	5.22	24.35	7.48	8.86	4.96	15.67	17.68	16.87			
	14.37	12.20	1.97	3.94			25.20	8.09					17.11			
SK 973 - 140 TC - 180 TC - 210 TC - 250 TC - 280 TC							21.97	5.20					16.77	2.375	2.65	4.72
	13.39	9.84	2.17	0.87			24.35	7.48					16.87			
					6.30	5.22	24.35	7.48	8.86	4.96	15.67	17.68	16.87			
	14.37	12.20	1.97	3.94			25.20	8.09					17.11			

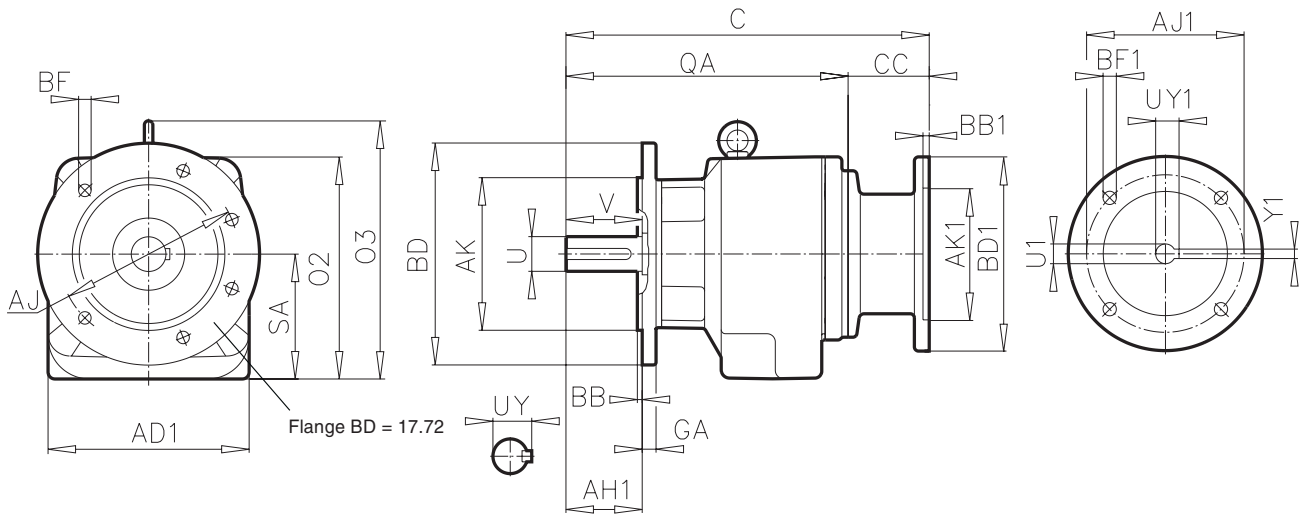
NEMA	AJ1	AK1	BB1	BD1	BF1	U1	UY1	Y1
140 TC	5.88	4.500	0.20	6.61	0.43	0.875	0.96	0.188
180 TC	7.25	8.500	0.23	9.17	0.59	1.125	1.24	0.250
210 TC	7.25	8.500	0.23	9.17	0.59	1.375	1.52	0.312
250 TC	7.25	8.500	0.23	9.17	0.59	1.625	1.80	0.375
280 TC	9.00	10.500	0.23	11.26	0.59	1.875	2.10	0.500

See page 78 for metric shafts and for IEC motor adapters.
Technical design may be subject to change. DXF files available upon request.

HELICAL SPEED REDUCER



DOUBLE AND TRIPLE REDUCTION FOR ASSEMBLY WITH NEMA MOTORS



Type	Mounting dimensions (bolt-on B5 flange)						Outline dimensions								Shaft dimensions		
	AJ	AK	BB	BD	BF	GA	AD1	AH1	C	CC	O2	O3	QA	SA	U	UY	V
Standard shown in bold. Must specify BD dimension.																	
SK 872 F	- 140 TC	8.46	7.087	0.16	9.84	0.53			19.96	5.20			14.76		2.125	2.35	3.94
	- 180 TC	10.43	9.055	0.16	11.81	0.53			22.52	7.48			15.04				
	- 210 TC	11.81	9.843	0.20	13.78	0.69	0.79	11.42	3.94	22.52	7.48	12.76	14.41	7.09			
	- 250 TC									23.37	8.09			15.28			
	- 280 TC									23.63	8.35						
<i>1/2 * 1/2 * 2-5/8</i>																	
SK 873 F	- 140 TC	8.46	7.087	0.16	9.84	0.53			20.32	5.20			15.12		2.125	2.35	3.94
	- 180 TC	10.43	9.055	0.16	11.81	0.53			22.87	7.48			15.39				
	- 210 TC	11.81	9.843	0.20	13.78	0.69	0.79	11.42	3.94	22.87	7.48	12.76	14.41	7.09			
	- 250 TC									23.72	8.09			15.63			
	- 280 TC									23.98	8.35						
<i>1/2 * 1/2 * 2-5/8</i>																	
SK 972 F	- 140 TC	10.43	9.055	0.16	11.81	0.53			21.97	5.20			16.77		2.375	2.65	4.72
	- 180 TC	11.81	9.843	0.20	13.78	0.69			24.35	7.48			16.87				
	- 210 TC	15.75	13.780	0.20	17.72	0.69	0.87	13.39	4.72	24.35	7.48	15.67	17.68	8.86			
	- 250 TC									25.20	8.09			17.11			
	- 280 TC									25.46	8.35						
<i>5/8 * 5/8 * 3-1/4</i>																	
SK 973 F	- 140 TC	10.43	9.055	0.16	11.81	0.53			22.48	5.20			17.28		2.375	2.65	4.72
	- 180 TC	11.81	9.843	0.20	13.78	0.69			24.86	7.48			17.38				
	- 210 TC	15.75	13.780	0.20	17.72	0.69	0.87	13.39	4.72	24.86	7.48	15.67	17.68	8.86			
	- 250 TC									25.71	8.09			17.62			
	- 280 TC									25.97	8.35						
<i>5/8 * 5/8 * 3-1/4</i>																	

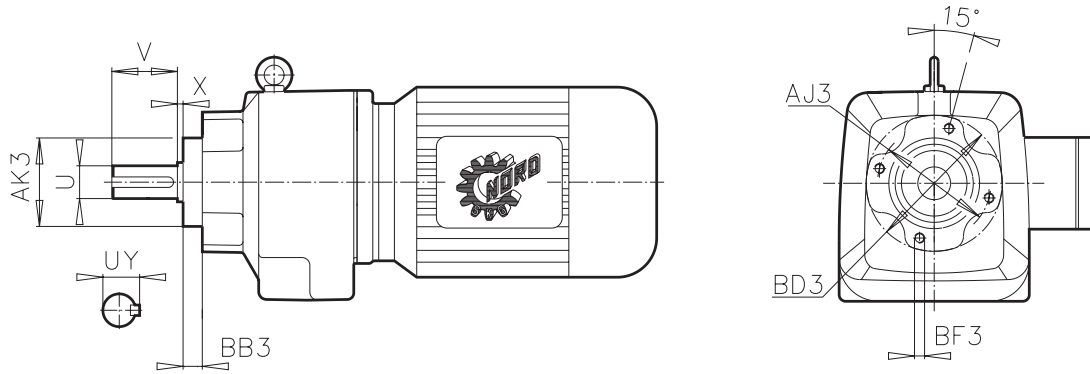
NEMA	AJ1	AK1	BB1	BD1	BF1	U1	UY1	Y1
140 TC	5.88	4.500	0.20	6.61	0.43	0.875	0.96	0.188
180 TC	7.25	8.500	0.23	9.17	0.59	1.125	1.24	0.250
210 TC	7.25	8.500	0.23	9.17	0.59	1.375	1.52	0.312
250 TC	7.25	8.500	0.23	9.17	0.59	1.625	1.80	0.375
280 TC	9.00	10.500	0.23	11.26	0.59	1.875	2.10	0.500

See page 78 for metric shafts and for IEC motor adapters.
Technical design may be subject to change. DXF files available upon request.

HELICAL SPEED REDUCER - OPTIONS



FLANGE MOUNTED, B14 - Z



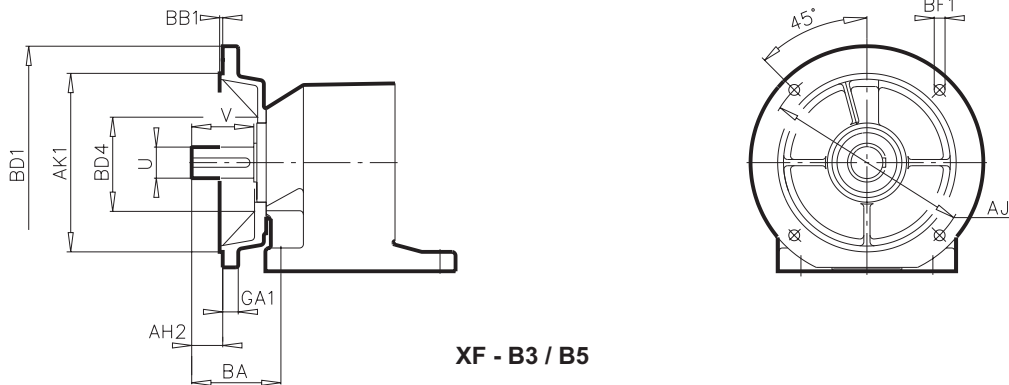
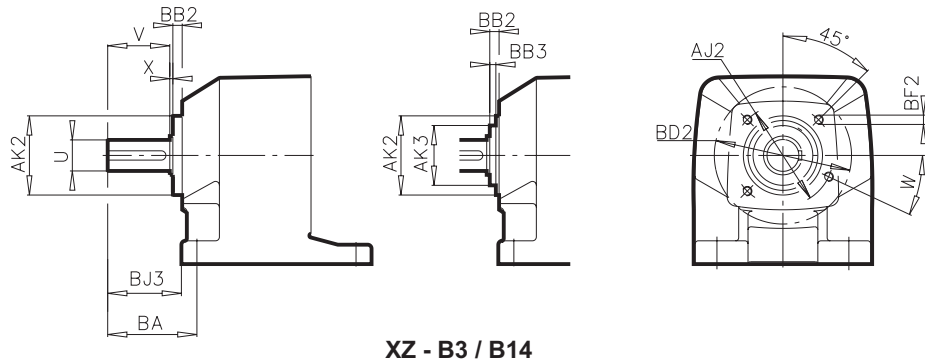
Type	Mounting dimension (flange)					Shaft dimensions				
	AJ3	AK3	BB3	BD3	BF3	U	UY	Key	V	X
SK 172 F - ...	3.15	2.441	0.20	3.86	M 8 x 0.63	0.750	0.83	3/16 * 3/16 * 1	1.57	0.08
SK 272 F - ...	3.54	2.835	0.43	4.25	M 8 x 0.63	1.000	1.11	1/4 * 1/4 * 1-1/4	1.97	0.12
SK 273 F - ...	3.54	2.835	0.43	4.25	M 8 x 0.63	1.000	1.11	1/4 * 1/4 * 1-1/4	1.97	0.12
SK 372 F - ...	3.54	2.835	0.43	4.25	M 8 x 0.63	1.000	1.11	1/4 * 1/4 * 1-1/4	1.97	0.12
SK 373 F - ...	3.54	2.835	0.43	4.25	M 8 x 0.63	1.000	1.11	1/4 * 1/4 * 1-1/4	1.97	0.12
SK 472 F - ...	4.09	3.150	0.55	5.12	M 10 x 0.79	1.250	1.36	1/4 * 1/4 * 1-5/8	2.36	0.16
SK 473 F - ...	4.09	3.150	0.55	5.12	M 10 x 0.79	1.250	1.36	1/4 * 1/4 * 1-5/8	2.36	0.16
SK 572 F - ...	4.09	3.150	0.55	5.12	M 10 x 0.79	1.375	1.52	5/16 * 5/16 * 2-1/8	2.75	0.16
SK 573 F - ...	4.09	3.150	0.55	5.12	M 10 x 0.79	1.375	1.52	5/16 * 5/16 * 2-1/8	2.75	0.16
SK 672 F - ...	4.53	3.543	0.71	5.51	M 10 x 0.79	1.375	1.52	5/16 * 5/16 * 2-1/8	2.75	0.16
SK 673 F - ...	4.53	3.386	0.71	5.51	M 10 x 0.79	1.375	1.52	5/16 * 5/16 * 2-1/8	2.75	0.16
SK 772 F - ...	5.12	4.016	0.75	6.50	M 12 x 0.79	1.625	1.79	3/8 * 3/8 * 2-1/4	3.15	0.16
SK 773 F - ...	5.12	4.016	0.75	6.50	M 12 x 0.79	1.625	1.79	3/8 * 3/8 * 2-1/4	3.15	0.16
SK 872 F - ...	6.50	5.118	0.79	8.07	M 12 x 0.79	2.125	2.35	1/2 * 1/2 * 2-5/8	3.94	0.20
SK 873 F - ...	6.50	5.118	0.79	8.07	M 12 x 0.79	2.125	2.35	1/2 * 1/2 * 2-5/8	3.94	0.20
SK 972 F - ...	7.87	6.102	0.98	9.84	M 16 x 1.18	2.375	2.65	5/8 * 5/8 * 3-1/4	4.72	0.24
SK 973 F - ...	7.87	6.102	0.98	9.84	M 16 x 1.18	2.375	2.65	5/8 * 5/8 * 3-1/4	4.72	0.24

The table is valid for Helical Gear motors and Speed Reducers.
 Technical design may be subject to change. DXF files available upon request.

HELICAL SPEED REDUCER - OPTIONS



FOOT/FLANGE MOUNTING



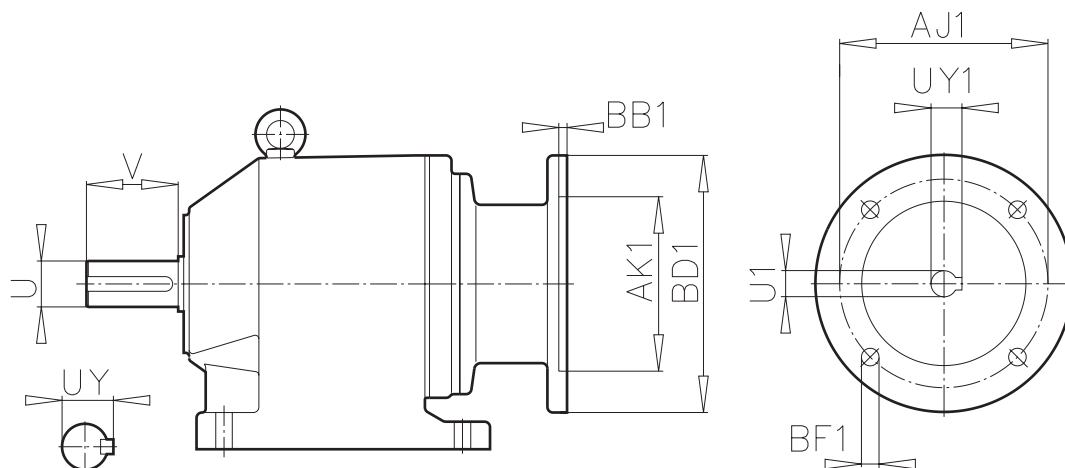
Type	Mounting dimensions B 14										Mounting dimensions B 5						Shaft dimensions			
	AJ2	AK2	AK3	BA	BB2	BB3	BD2	BF2	BJ3	W	AH2	AJ1	AK1	BA	BB1	BD1	BF1	U	V	X
															BD4	GA1		Key		
SK 172 ...	3.15	2.441	--	2.28	0.32	--	4.13	M 8 x 0.51	1.79	28°	0.79	5.12	4.331	2.28	0.14	6.30	0.35	0.750	1.57	0.06
SK 272 ...	3.54	2.835	--	2.95	0.35	--	4.45	M 8 x 0.63	2.36	25°						2.36	0.39	3/16 * 3/16 * 1		
SK 273 ...	3.54	2.835	2.283	2.95	0.35	0.24	4.13	M 8 x 0.47	2.52	25°						7.87	0.43	1.000 1.97 0.12		
SK 372 ...	3.54	2.835	--	2.95	0.35	--	4.45	M 8 x 0.63	2.36	25°	0.98	6.50	5.118	2.95	0.14	2.76	0.47	1/4 * 1/4 * 1-1/4		
SK 373 ...	3.54	2.835	2.283	2.95	0.35	0.24	4.13	M 8 x 0.47	2.52	25°						7.87	0.43	1.000 1.97 0.12		
SK 472 ...	4.33	3.150	--	3.54	0.35	--	5.43	M10 x 0.79	2.85	28°						9.84	0.53	1.250 2.36 0.16		
SK 473 ...	4.33	3.150	--	3.54	0.35	--	5.43	M10 x 0.79	2.85	28°	1.18	8.47	7.087	3.54	0.16	3.15	0.63	1/4 * 1/4 * 1-5/8		
SK 572 ...	4.33	3.150	--	3.94	0.35	--	5.43	M10 x 0.79	3.25	28°						9.84	0.53	1.375 2.75 0.16		
SK 573 ...	4.33	3.150	--	3.94	0.35	--	5.43	M10 x 0.79	3.25	28°	1.18	8.47	7.087	3.94	0.16	3.15	0.63	5/16 * 5/16 * 2-1/8		
SK 672 ...	4.53	3.543	--	3.94	0.43	--	6.30	M10 x 0.79	3.15	28°						9.84	0.53	1.375 2.75 0.16		
SK 673 ...	4.53	3.386	--	3.94	0.43	--	6.30	M10 x 0.79	3.15	28°	1.38	8.47	7.087	3.94	0.16	3.54	0.63	5/16 * 5/16 * 2-1/8		
SK 772 ...	5.12	4.016	--	4.53	0.47	--	6.85	M12 x 0.95	3.74	25°						11.81	0.53	1.625 3.15 0.16		
SK 773 ...	5.12	4.016	--	4.53	0.47	--	6.85	M12 x 0.79	3.74	25°	1.58	10.43	9.055	4.53	0.16	3.94	0.79	3/8 * 3/8 * 2-1/4		
SK 872 ...	6.50	5.118	--	5.51	0.47	--	8.27	M12 x 0.79	4.53	25°						13.78	0.69	2.125 3.94 0.20		
SK 873 ...	6.50	5.118	--	5.51	0.47	--	8.27	M12 x 0.79	4.53	25°	1.97	11.81	9.843	5.51	0.20	5.12	0.79	1/2 * 1/2 * 2-5/8		
SK 972 ...	7.87	6.102	--	6.30	0.59	--	10.24	M16 x 0.98	5.22	25°						17.72	0.69	2.375 4.72 0.24		
SK 973 ...	7.87	6.102	--	6.30	0.59	--	10.24	M16 x 0.98	5.22	25°	2.36	15.75	13.780	6.30	0.20	6.30	0.79	5/8 * 5/8 * 3-1/4		

The table is valid for Helical Gearmotors and Speed Reducers.
 Technical design may be subject to change. DXF files available upon request.

HELCAL SPEED REDUCER - OPTIONS



METRIC SHAFT DIMENSIONS IEC MOTOR ADAPTERS



Metric Shaft Dimensions (mm)

Size	U	UY	V	Key size	Threads
SK 172	20	22.5	40	6 x 6 x 32	M 6 x 16
SK 272 / 273	25	28	50	8 x 7 x 40	M 10 x 22
SK 372 / 373	25	28	50	8 x 7 x 40	M 10 x 22
SK 472 / 473	30	33	60	8 x 7 x 50	M 10 x 22
SK 572 / 573	35	38	70	10 x 8 x 56	M 12 x 28
SK 672 / 673	35	38	70	10 x 8 x 56	M 12 x 28
SK 772 / 773	40	43	80	12 x 8 x 70	M 16 x 36
SK 872 / 873	50	53.5	100	14 x 9 x 80	M 16 x 36
SK 972 / 973	60	64	120	18 x 11 x 110	M 20 x 42

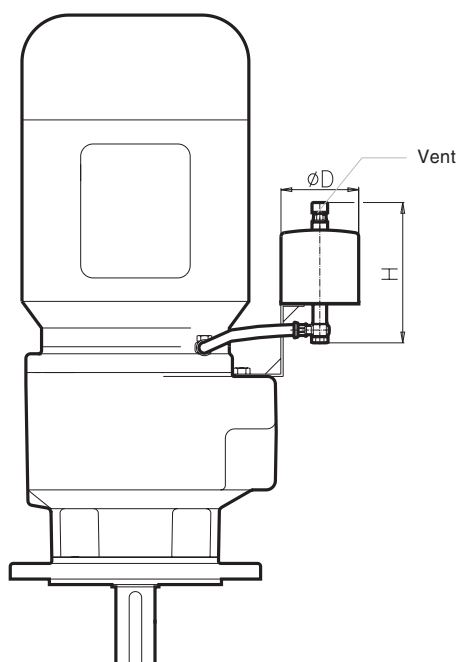
IEC Motor Adapters (mm)

Size	AJ1	AK1	BB1	BD1	BF1	U1	UY1	Key size
IEC 63	115	95	3.5	140	M 8	11	12.8	4 x 4 x 18
IEC 71	130	110	4	160	M 8	14	16.3	5 x 5 x 25
IEC 80	165	130	4	200	M 10	19	21.8	6 x 6 x 35
IEC 90	165	130	4	200	M 10	24	27.3	8 x 7 x 40
IEC 100	215	180	5	250	M 12	28	31.3	8 x 7 x 50
IEC 112	215	180	5	250	M 12	28	31.3	8 x 7 x 50
IEC 132	265	230	5	300	M 12	38	41.3	10 x 8 x 60
IEC 160	300	250	6	350	M 16	42	45.3	12 x 8 x 75
IEC 180	300	250	6	350	M 16	48	51.8	14 x 9 x 80
IEC 200	350	300	6	400	M 16	55	59.3	16 x 10 x 95

HELCAL SPEED REDUCER - OPTIONS



LUBRICANT EXPANSION UNIT FOR MOUNTING POSITION V1 OR V5



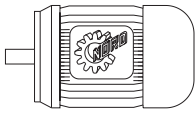
Gear Unit	Lubricant Expansion Unit		
	Size	D	H
SK 472 / SK 473 SK 572 / SK 573 SK 672 / SK 673 SK 772 / SK 773 SK 872 / SK 873 SK 972 / SK 973	I	100	180

The use of the lubricant expansion unit for vertical mounting positions V1 and V5 avoids oil-leakage from the ventilation plug under certain operating conditions.

If the gearbox ratio is less than 20:1 and the continuous operating time is greater than 3 hours, this unit may be supplied of NORD's discretion.

NOTES

MOTOR



MOTOR



EXPLANATORY NOTES

MOTORS

All motors are in accordance with existing standards and regulations, such as NEMA MG1 and EN 60034, part 1, 5, 6, 7, 8, 9.

RATED VOLTAGE-RANGE

Motors to be operated on a supply according to NEMA MG1 with a tolerance of $\pm 10\%$ can be supplied for one of the following Voltage-Ranges:

Supply Voltage acc. to NEMA MG1

230 V $\pm 10\%$
 400 V $\pm 10\%$
 460 V $\pm 10\%$
 575 V $\pm 10\%$
 690 V $\pm 10\%$

TWO-SPEED MOTORS

Our two-speed motors are executed with single-winding for Dahlander connection (speed ratio 2:1) or with separate windings (speed ratios 3:1, 4:1, 6:1, 3:2).

A combination of both winding types enables the production of three-speed motors.

TEMPERATURE RISE

As specified in NEMA MG1, the motor ratings are based on continuous duty, maximum ambient temperature of 40°C an altitudes up to 3300 ft (1000 metres) above sea level.

The power obtainable in the case of other conditions is tabulated below.

Ambient temperature [° C]	Power obtainable in % of rated value	altitude above sea level in		Power obtainable in % of rated value
		meters	feet	
40	100	1000	3300	100
45	96	1500	5000	97
50	92	2000	6600	94
55	87	2500	8300	90
60	82	3000	9900	86
		3500	11500	83
		4000	13000	80

The windings are insulation class F according to NEMA MG1.

Insulation class	Max. permissible temperature rise [K]	Max. permissible continuous temperature [°C]
F	105	155



MOTOR



EXPLANATORY NOTES

MOTOR PROTECTION

Current-controlled motor-protection must be set acc. to rated current shown on nameplate.
Operation involving high switching frequency, short term duty or large temperature-differences should be covered by direct temperature-control.

Following options are available at surcharge:

a) Thermostat (TW)

Upon reaching the limit temperature this device automatically cuts the control-circuit and only after a large drop in temperature this switch engages again.
Contact-rating: 250 V AC, 1,6 A.

b) Thermistor sensors (TF)

The built-in thermistors can only be utilized with an external tripping-device. Upon reaching the limit temperature the thermistors change their resistance suddenly. In connection with a tripping device this property is employed to monitor the motor temperature.
The relay built into the tripping-device has a make-and-break-contact which is utilized for control purposes.

Advantage: Control-device is self-monitoring, narrow switching-tolerance approx. 1-3 K1; rapid restart of drive.

Note: Do not apply voltage to thermistors

Isolation class	F	
	warn	cut out
NAT/°C	130	155

DEGREES OF PROTECTION

The standard degree of protection of the motors is IP 55.
The standard degree of protection of the brakemotors is IP 54.

If required, degrees of protection IP 56, IP 65 and IP 66 are available with surcharge.
Generally, application and ambient conditions determine the required degree of protection as well as other additional measures for outdoor duty and vertical mounting positions with motor on top (eg, V1 or V5 for helical inline units),
we recommend an execution with double fan cowl.
For further explanations, please refer to the brochure "IP - degrees of protection".

NEMA AND CSA

The standard motors meet the American "NEMA Specifications" only in terms of electrical standards,
not in terms of mechanical standards.
Motors with dimensions conforming to NEMA are available at extra price.

CSA motors are available in designs 230 / 460 V - 60 Hz or 332 / 575 V - 60 Hz.

VIK-motors are available (extra price) to conform to the technical requirements of the VIK (Combined Industrial Power Industry) dated June 1975.

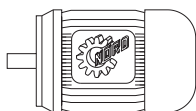
MODES OF OPERATION

All motors of the catalogue are suitable for continuous duty (S1), to EN 60034/1. For selection of motors for other duties we need following (details:

- relative cyclic duration factor
- characteristic curve over speed range
- external moment of inertia reduced to motor shaft
- details on braking

CONNECTION

The motors are suitable for direct starting. However, 3 times the rated torque and 8 times the rated current may be reached.
By Star-Delta starting these maximum values may be reduced to 1/3 (e.g. regulations of power authorities),
under the conditions that the current of the Delta-Winding corresponds with the grid.



MOTOR



THREE-PHASE MOTORS - 4-poles / 230 V / 460 V / 575 V / 60 Hz

Frame size	60 Hz													
	P_n [HP]	P_n [kW]	n_n [RPM]	I_n (230 V) [A]	I_n (460 V) [A]	I_n (575 V) [A]	I_a / I_n	Code Letter	T_n [lb-in]	T_a / T_n	T_k / T_n	$\cos \varphi$	η [%]	J_{mot} [lb-ft ²]
63 S/4	0.16	0.12	1700	0.88	0.44	0.37	2.45	F	5.93	2.1	2.2	0.66	52	0.00499
63 L/4	0.25	0.18	1680	1.12	0.56	0.46	2.75	E	9.38	2.1	2.2	0.71	57	0.00665
71 S/4	0.33	0.25	1710	1.56	0.78	0.6	3.10	G	12.2	2.5	2.4	0.64	63	0.0150
71 L/4	0.50	0.37	1720	1.90	0.95	0.80	3.55	F	18.3	2.45	2.6	0.69	71	0.0181
80 S/4	0.75	0.55	1710	2.70	1.35	1.12	3.55	F	27.6	2.2	2.2	0.71	72	0.0304
80 L/4	1.0	0.75	1650	3.66	1.83	1.46	3.90	G	38.2	2.2	2.3	0.74	70	0.0392
90 S/4	1.5	1.1	1660	4.84	2.42	1.94	4.45	G	57.0	2.7	2.6	0.78	73	0.0670
90 L/4	2.0	1.5	1660	6.34	3.17	2.54	4.65	G	75.9	2.55	2.5	0.80	74	0.0855
100 L/4	3.0	2.2	1705	9.0	4.50	3.6	4.90	G	111	2.3	2.6	0.81	72	0.107
100 L/40	5.0	3.7	1725	15.2	7.62	6.1	5.10	G	183	2.7	3.1	0.75	82	0.162
132 S/4	7.5	5.5	1735	19.8	9.90	7.92	5.45	G	272	2.45	2.75	0.82	81	0.553
132 M/4	10	7.5	1735	25.8	12.9	10.3	6.45	H	363	2.9	3.2	0.84	86	0.753
160 M/4	15	11	1770	38.4	19.2	15.4	6.65	H	522	2.45	3.0	0.82	88	0.95
160 L/4	20	15	1765	49	24.5	19.6	7.25	H	713	2.9	3.3	0.86	89.4	1.23
180 MX/4	25	18.5	1750	60	30.0	24.0	8.60	K	887	2.95	3.4	0.87	89	1.35
180 LX/4	30	22	1755	71	35.5	28.4	9.80	L	1052	3.4	3.7	0.87	89.4	1.35
200 L/4	40	30	1780	96	48	38.4	7.70	J	1414	2.9	3.6	0.85	92	5.70
225 S/4	50	37	1765	-	58	46.4	7.60	H	1759	3.1	3.5	0.86	93.1	7.60

For higher efficiency motor see page 86. Performance specifications are subject to change.

ABBREVIATION LEGEND

P_n	= Rated power [HP]
n_n	= Rated speed [RPM]
η	= Efficiency of motor [%]
$\cos \varphi$	= Power factor
I_n	= Rated current [AMPS]
T_n	= Rated torque [Lb-in]
T_a / T_n	= Starting torque ratio
I_a / I_n	= Starting current ratio
T_k / T_n	= Breakdown torque ratio
J_{mot}	= Inertia of motor [Lb-ft ²]

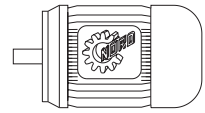
Standard efficiency. 1.15 Service factor
 Inverter duty, TEFC
 Synchronous speed 1800 rpm @ 60Hz, 4-pole
 Voltages: 230 / 460 & 330 / 575 - 60 Hz, Three-phase
 Continuous Duty, 40° C Ambient, up to 3300 ft Elevation
 Class B temperature rise, Class F insulation



For Brakes. see page 90.



MOTOR



THREE-PHASE MOTORS - 4-poles 400 V / 50 Hz

Frame size	50 Hz											
	P_n [HP]	P_n [kW]	n_n [RPM]	I_n (400 V)* [A]	I_a / I_n	Code Letter	T_n [lb-in]	T_a / T_n	T_k / T_n	$\cos \varphi$	η [%]	J_{mot} [lb-ft ²]
63 S/4	0.16	0.12	1335	0.46	2.5	E	7.55	1.8	1.9	0.76	50.0	0.0050
63 L/4	0.25	0.18	1325	0.62	2.6	E	11.9	1.8	1.9	0.80	56.5	0.0066
71 S/4	0.33	0.25	1380	0.76	3.3	F	15.1	2.2	2.1	0.77	61.3	0.0150
71 L/4	0.50	0.37	1360	1.10	3.2	E	23.2	2.1	2.3	0.75	62.7	0.0181
80 S/4	0.75	0.55	1375	1.52	3.3	E	33.4	1.9	2.0	0.73	71.5	0.0304
80 L/4	1.0	0.75	1375	2.10	4.4	G	45.8	2.3	2.6	0.74	69.5	0.0392
90 S/4	1.5	1.1	1395	2.81	4.8	G	65.4	2.3	2.6	0.74	76.2	0.0670
90 L/4	2.0	1.5	1395	3.55	5.4	H	87.5	3.1	3.6	0.78	78.5	0.0855
100 L/4	3.0	2.2	1440	5.22	5.1	G	131	2.3	3.0	0.74	81.1	0.107
100 L/40	4.0	3.0	1415	6.54	5.4	F	178	2.5	2.9	0.73	82.7	0.160
132 S/4	7.5	5.5	1445	11.4	5.5	G	327	2.1	2.7	0.81	85.8	0.553
132 M/4	10	7.5	1445	14.8	5.5	G	436	2.5	2.8	0.84	87.0	0.753
160 M/4	15	11	1460	21.5	6.2	G	633	2.2	2.7	0.84	88.5	0.95
160 L/4	20	15	1460	28.5	6.5	H	861	2.6	3.0	0.84	90.0	1.23
180 MX/4	25	18.5	1460	35	7.7	J	1063	2.7	3.1	0.86	90.0	1.35
180 LX/4	30	22	1455	44	8.3	K	1265	3.1	3.4	0.82	90.5	1.35
200 L/4	40	30	1465	55	7.0	H	1722	2.6	3.2	0.86	91.8	5.70
225 S/4	50	37	1470	66	7.0	H	2118	2.8	3.2	0.87	92.9	7.60

* Motors 3.0 HP (2.20 kW) and below are rated 230Δ / 400Y - volts.

* Motors above 3.0 HP (2.20 kW) are rated 400Δ / 690Y - volts.

For higher efficiency motor see page 87. Performance specifications are subject to change.

ABBREVIATION LEGEND

P_n	= Rated power [HP]
n_n	= Rated speed [RPM]
η	= Efficiency of motor [%]
$\cos \varphi$	= Power factor
I_n	= Rated current [AMPS]
T_n	= Rated torque [Lb-in]
T_a / T_n	= Starting torque ratio
I_a / I_n	= Starting current ratio
T_k / T_n	= Breakdown torque ratio
J_{mot}	= Inertia of motor [Lb-ft ²]

Standard efficiency, 1.0 Service factor

Inverter duty, TEFC

Synchronous speed 1500 rpm @ 50Hz, 4-pole

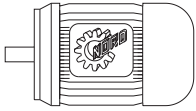
Voltages: 400 - 50 Hz, Three-phase

Continuous Duty, 40° C Ambient, up to 3300 ft Elevation

Class B temperature rise, Class F insulation



For Brakes, see page 90.



MOTOR



HIGH EFFICIENCY THREE-PHASE MOTORS 4-poles / 230 V / 460 V / 575 V / 60 Hz

Frame size	60 Hz													
	P _n [HP]	P _n [KW]	n _n [RPM]	I _n (230 V) [A]	I _n (460 V) [A]	I _n (575 V) [A]	I _a / I _n	Code Letter	T _n [lb-in]	T _a / T _n	T _k / T _n	cos φ	η [%]	J _{mot} [lb-ft ²]
80 LH/4	1.0	0.75	1750	3.88	1.94	1.5	6.0	L	36.0	4.6	4.3	0.59	82.5	0.0499
90 SH/4	1.5	1.1	1740	4.3	2.15	1.75	6.3	J	54.3	3.5	3.8	0.76	84.0	0.0855
90 LH/4	2.0	1.0	1745	6.3	3.15	2.45	6.7	K	72.2	4.3	4.5	0.71	84.0	0.0929
100 LH/4	3.0	2.2	1765	8.6	4.3	3.4	7.9	L	107	3.6	4.7	0.73	87.5	0.178
112 MH/4	5.0	3.7	1770	14.4	7.2	5.6	8.1	L	178	4.0	4.8	0.76	87.5	0.304
132 SH/4	7.5	5.5	1780	20.9	10.5	8.3	8.2	L	266	4.3	4.6	0.74	89.5	0.751
132 MH/4	10	7.5	1770	27.0	13.5	10.8	7.4	J	356	3.2	4.0	0.78	89.5	0.841
160 MH/4	15	11	1765	35.8	17.9	14.3	8.1	J	527	2.6	3.2	0.85	91.0	1.23
160 LH/4	20	15	1765	49	24.5	19.6	8.5	K	712	2.8	3.5	0.85	91.0	1.35
180 MH/4	25	18.5	1770	61	30.5	24.4	8.4	K	879	2.8	3.6	0.83	92.4	3.56
180 LH/4	30	22	1770	72	36	28.8	8.8	K	1046	3.1	3.9	0.83	92.4	4.51
200 LH/4	40	30	1770	94	47	37.6	8.3	J	1424	3.0	3.6	0.86	93.0	7.60

ABBREVIATION LEGEND

P _n	= Rated power [HP]
n _n	= Rated speed [RPM]
η	= Efficiency of motor [%]
cos φ	= Power factor
I _n	= Rated current [AMPS]
T _n	= Rated torque [Lb-in]
T _a / T _n	= Starting torque ratio
I _a / I _n	= Starting current ratio
T _k / T _n	= Breakdown torque ratio
J _{mot}	= Inertia of motor [Lb-ft ²]

Energy efficient, 1.15 Service factor

Inverter duty, TEFC
Synchronous speed 1800 rpm @ 60Hz, 4-pole
Voltages: 230 / 460 & 330 / 575 - 60 Hz, Three-phase
Continuous Duty, 40° C Ambient, up to 3300 ft Elevation
Class B temperature rise, Class F insulation



Brakes not available for energy efficient motors



MOTOR

HIGH EFFICIENCY THREE-PHASE MOTORS
4-poles 400 V / 50 Hz



Frame size	50 Hz											
	P_n [HP]	P_n [kW]	n_n [RPM]	I_n (400 V)* [A]	I_a / I_n	Code Letter	T_n [lb-in]	T_a / T_n	T_k / T_n	$\cos \varphi$	η [%]	J_{mot} [lb-ft ²]
90 SH/4	1.5	1.1	1430	2.51	5.2	H	66.1	2.8	3.1	0.75	84.0	0.0817
90 LH/4	2.0	1.5	1435	3.59	5.6	K	87.8	3.6	3.7	0.71	85.0	0.0929
100 LH/4	3.0	2.2	1465	4.88	6.9	J	129	3.3	4.0	0.74	87.5	0.178
112SH/4	4.0	3.0	1455	6.70	7.2	K	174	3.3	4.2	0.72	87.4	0.283
112 MH/4	5.4	4.0	1455	8.90	6.9	K	234	3.3	3.2	0.73	88.3	0.304
132 SH/4	7.5	5.5	1415	12.0	7.5	K	334	3.7	4.0	0.73	90.1	0.753
132 MH/4	10	7.5	1470	15.5	6.6	H	429	2.9	3.5	0.77	90.8	0.841
160 MH/4	15	11	1460	20.5	6.9	H	632	2.7	3.2	0.85	91.5	1.23
160 LH/4	20	15	1460	27.5	7.0	H	861	2.9	3.3	0.86	92.0	1.35
180 MH/4	25	18.5	1465	34.5	7.0	H	1063	2.5	3.2	0.84	92.5	3.56
180 LH/4	30	22	1465	40.5	7.3	H	1266	2.6	3.4	0.84	93.0	4.51
200 LH/4	40	30	1465	53	7.0	H	1722	2.6	3.2	0.87	93.5	7.60

* Motors 3.0 HP (2.20 kW) and below are rated 230Δ / 400Y - volts.

* Motors above 3.0 HP (2.20 kW) are rated 400Δ / 690Y - volts.

ABBREVIATION LEGEND

P_n	= Rated power [HP]
n_n	= Rated speed [RPM]
η	= Efficiency of motor [%]
$\cos \varphi$	= Power factor
I_n	= Rated current [AMPS]
T_n	= Rated torque [Lb-in]
T_a / T_n	= Starting torque ratio
I_a / I_n	= Starting current ratio
T_k / T_n	= Breakdown torque ratio
J_{mot}	= Inertia of motor [Lb-ft ²]

Energy efficient, 1.0 Service factor

Inverter duty, TEFC

Synchronous speed 1500 rpm @ 50Hz, 4-pole

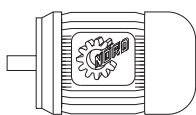
Voltages: 400 - 50 Hz, Three-phase

Continuous Duty, 40° C Ambient, up to 3300 ft Elevation

Class B temperature rise, Class F insulation



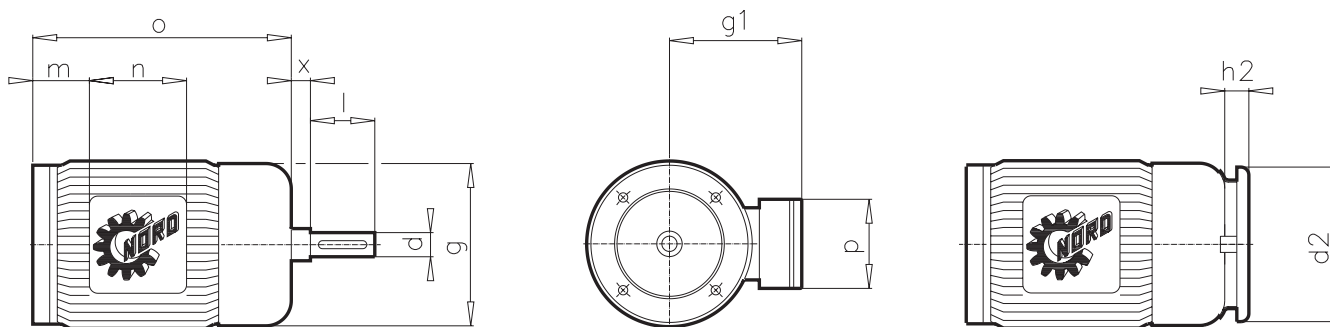
Brakes not available for energy efficient motors



MOTOR



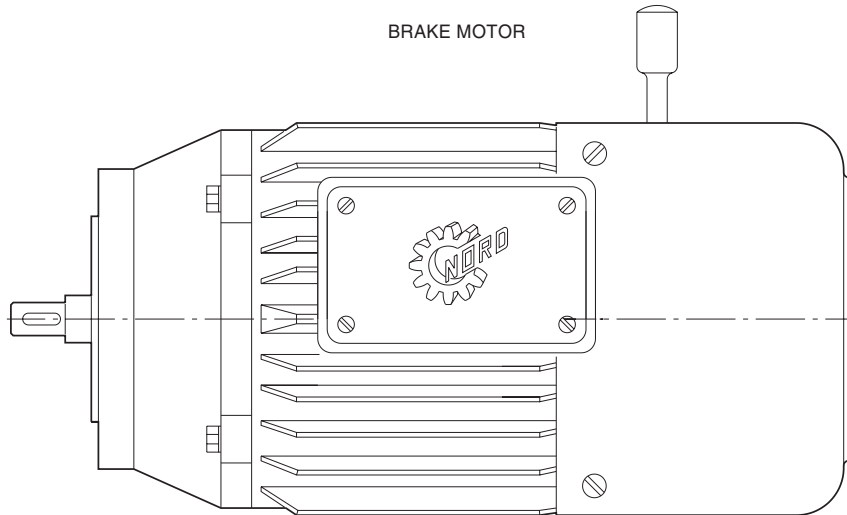
MOTOR DIMENSIONS - THREE PHASE MOTORS



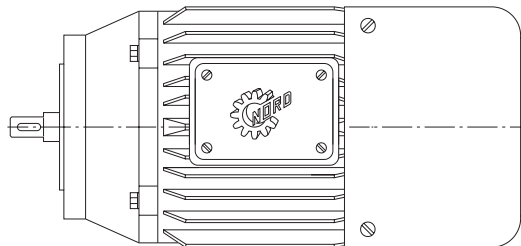
Motor frame size	Dimensions										
	g	g1	m	n	o	p	d	l	x	d2	h2
63 S + L	5.12	4.33	0.47	3.94	7.40	3.94	0.43	0.91	0.16	4.92	1.22
63 S + L (Bre)	5.12	4.65	0.55	5.20	9.61	3.43	0.43	0.91	0.14	4.76	0.47
71 S + L	5.71	4.68	0.79	3.94	8.39	3.94	0.43	0.91	0.08	4.29	1.14
71 S + L (Bre)	5.71	5.00	0.87	5.20	10.71	3.43	0.43	0.91	0.14	5.35	0.51
80 S + L / LH	6.50	5.51	0.87	4.49	9.09	4.49	0.55	1.18	0.32	4.92	1.02
80 S + L / LH (Bre)	6.50	5.55	0.95	6.02	11.81	4.25	0.55	1.18	0.20	6.06	0.63
90 S + L / SH + LH	7.28	5.71	1.02	4.49	10.75	4.49	0.75	1.58	0.35	6.30	1.34
90 S + L / SH+LH (Bre 10+20)	7.28	5.75	1.10	6.02	13.70	4.25	0.55	1.18	0.32	6.85	0.63
90 S + L / SH + LH (Bre 40)	7.28	5.75	1.10	6.02	13.70	4.25	0.75	1.58	0.32	6.85	0.63
100 L + L/40 / LH	7.99	6.06	1.26	4.49	12.05	4.49	0.95	1.97	0.24	6.30	1.34
100 L + L/40 / LH (Bre)	7.99	6.18	1.34	6.02	15.63	4.25	0.95	1.97	0.39	7.56	0.71
112 MH	8.98	6.54	1.61	4.49	12.83	4.49	0.95	1.97	0.16	7.09	1.61
112 MH (Bre)	8.98	6.58	1.69	6.02	16.69	4.25	0.95	1.97	0.39	8.50	0.71
132 S + M / SH + MH	10.47	7.64	2.17	4.80	16.18	4.80	1.26	3.15	0.71	8.66	1.81
132 S + M / SH + MH (Bre)	10.47	7.60	1.85	7.28	20.39	5.47	1.26	3.15	0.39	10.04	0.83
160 M + L / MH + LH	12.60	9.21	3.07	6.50	19.13	6.50	1.50	3.15	0.91	9.84	2.09
160 M + L / MH + LH (Bre)	12.60	9.21	3.07	6.50	25.71	6.50	1.50	3.15	0.75	12.09	0.98
180 M + L / MH + LH	14.09	10.20	4.45	5.20	23.70	5.98	1.89	4.33	0.91	9.84	2.09
180 M + L / MH + LH (Bre)	14.09	10.20	3.86	6.38	27.84	6.38	1.89	4.33	0.91	9.84	2.09
200 L / LH	15.67	12.05	4.33	7.56	27.09	10.24	2.17	4.33	0.67	13.39	3.15
200 L / LH (Bre)	15.67	12.05	4.33	7.56	33.54	10.24	2.17	4.33	0.67	15.28	1.58
225 S	15.67	12.05	4.33	7.56	27.09	10.24	2.17	4.33	0.67	13.39	3.15
225 S / (Bre)	15.67	12.05	4.33	7.56	33.54	10.24	2.17	4.33	0.67	13.39	3.15



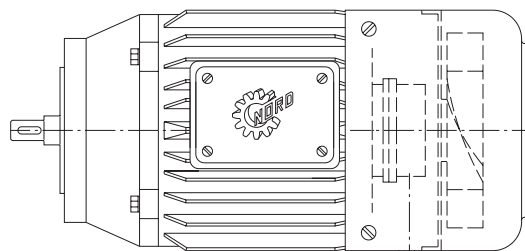
BRAKES

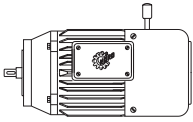


OVERRUNNING CLUTCH AND BACKSTOP



INCREMENTAL ENCODER AND FORCED VENTILATION)





BRAKES



BRAKE MOTORS

The motors listed in this catalogue can be modified to brake motors by adding a spring loaded single-disc brake.

Following combinations are possible:

Frame size	Motor length extended by approx [IN]	Braking torque (= Brake size) [Nm] (LB-FT)									
63 S + L	2.21	5 (4)	10 (7)								
71 S + L	2.28	5 (4)	10 (7)								
80 S	2.72	5 (4)	10 (7)	20 (15)							
80 L	2.72	5 (4)	10 (7)	20 (15)							
80 L/40	2.72		10 (7)	20 (15)							
90 S	2.95		10 (7)	20 (15)	40 (30)						
90 L	2.95		10 (7)	20 (15)	40 (30)						
90 L/40	2.95			20 (15)	40 (30)						
100 L	3.58			20 (15)	40 (30)	60 (45)					
100 L/40	3.58			20 (15)	40 (30)	60 (45)					
132 S	4.21				60 (45)	100 (75)					
132 M	4.21				60 (45)	100 (75)	150 (110)				
132 M/40	4.21				60 (45)	100 (75)	150 (110)				
160 M + L	6.58					100 (75)	150 (110)	250 (185)			
180 M + L	4.13						250 (185)	400 (295)			
200 L	6.46						250 (185)	400 (295)			
225 S	6.46							400 (295)	800 (590)		
Add. weight net. approx. LBS		2.2	3.3	5.5	8.8	13.2	19.8	33	53	77	132

Bold printed brake torque = Standard items

Example for ordering: **SK 472 - 80 S/4 BRE 10**

As can be seen from the above table each motor frame is available with various brake sizes.

For normal applications we recommend sizing the brake to 1,5 - 2 time, the rated torque of the motor.

For special applications e.g. lifting gear etc. it may be necessary to increase this to 3 times the rated torque of the motor.

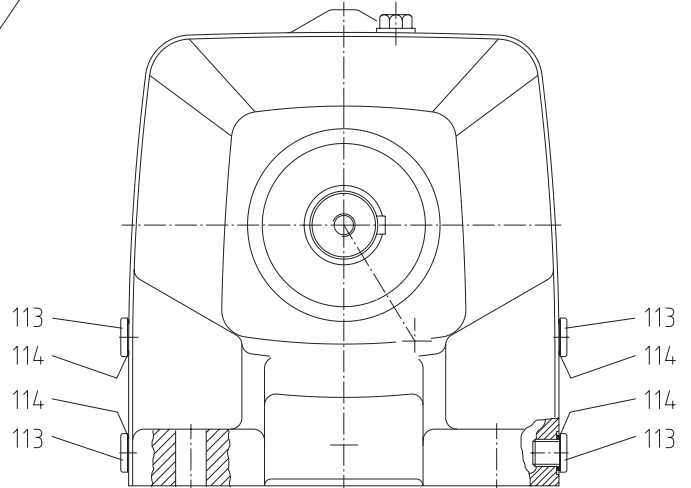
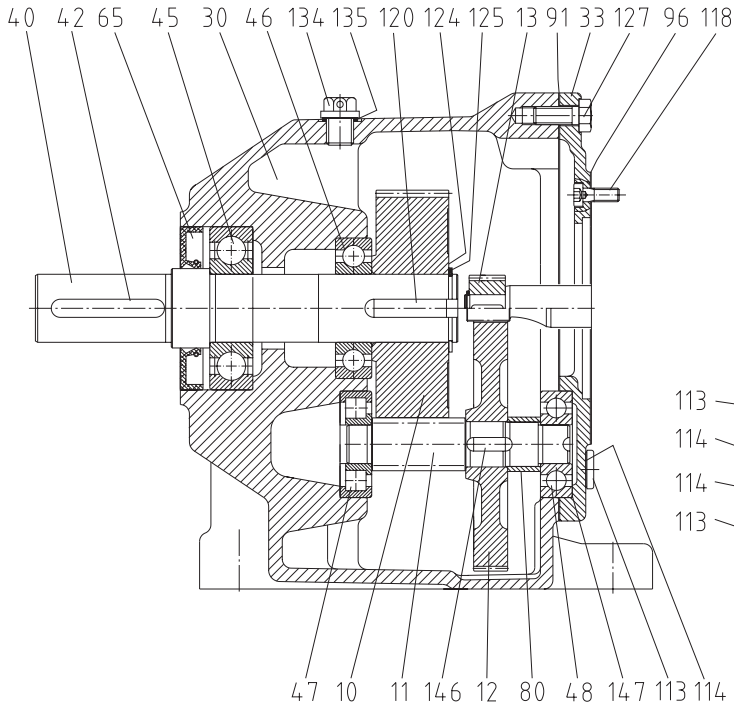
For other applications it may be recommended to reduce the brake torque e.g. for a Mass-Acceleration-Factor of $m_{af} \geq 3$.

If fairly large masses have to be stopped, we recommend the use of brakes with sufficient capacity.

NOTES

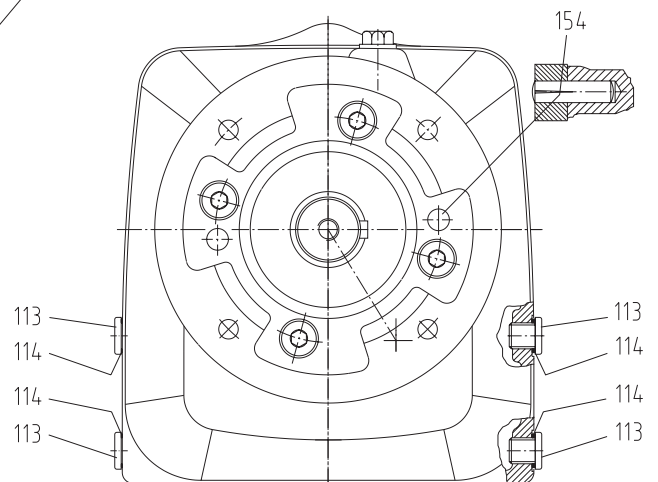
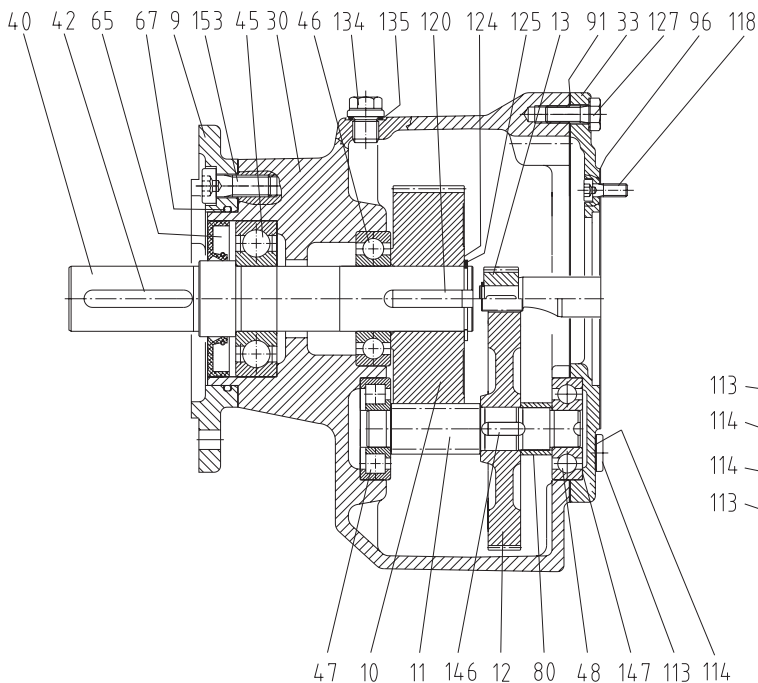


GENERAL PARTS LIST



SK 172 ... - SK 972 ...

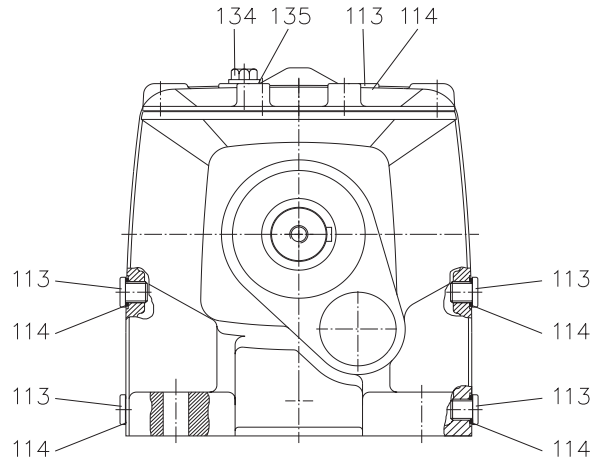
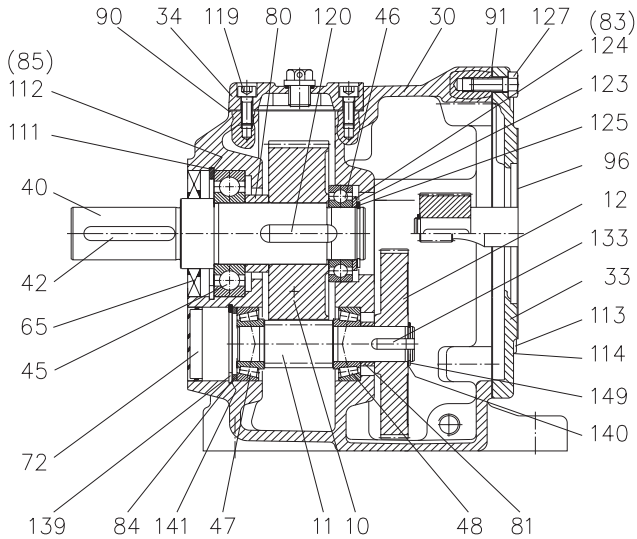
9	Flange	46	Output shaft bearing	118	Bolt
10	Driven gear	47	Pinion shaft bearing	120	Key
11	Pinion shaft	48	Pinion shaft bearing	124	Shim
12	Driving gear	65	Shaft seal	125	Snap ring
13	Driving pinion	67	O-Ring	127	Bolt
30	Gear case	80	Spacer	134	Vent plug
33	Gearbox cover	91	Seal	135	Seal
40	Output shaft	96	Seal	146	Key
42	Key	113	Drain plug	147	Shim
45	Output shaft bearing	114	Seal	153	Bolt
				154	Grooved dowel pin



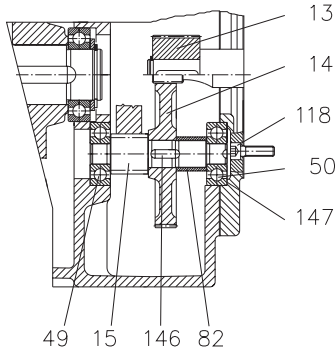
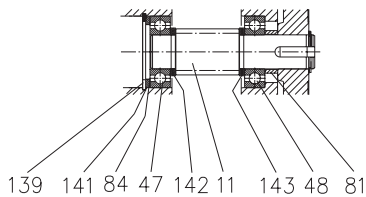
SK 172 F ... - SK 972 F ...



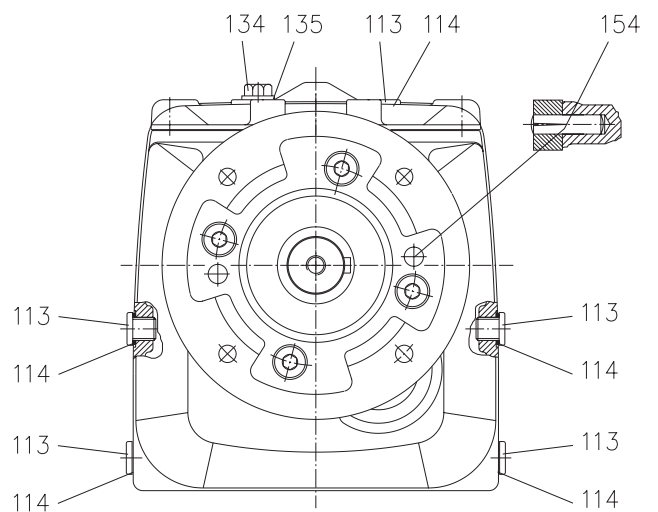
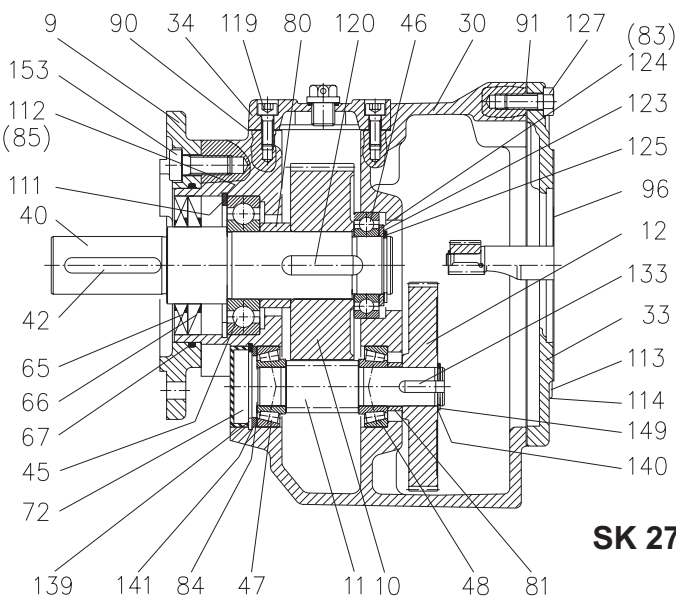
GENERAL PARTS LIST



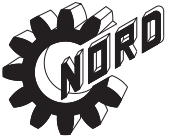
SK 273 ... - SK 973 ...



- | | | | | | |
|----|----------------------|-----|-----------------|-----|-------------------|
| 9 | Flange | 65 | Shaft seal | 119 | Bolt |
| 10 | Driven gear | 66 | Shaft seal | 120 | Key |
| 11 | Pinion shaft | 67 | O-Ring | 123 | Supporting disc |
| 12 | Driving gear | 72 | Locking cap | 124 | Shim |
| 13 | Driving pinion | 80 | Spacer | 125 | Snap ring |
| 14 | Driving gear | 81 | Spacer | 127 | Bolt |
| 15 | Pinion shaft | 82 | Spacer | 133 | Key |
| 30 | Gear case | 83 | Supporting disc | 134 | Vent plug |
| 33 | Gearbox cover | 84 | Supporting disc | 135 | Seal |
| 34 | Gearcase cover | 85 | Supporting disc | 139 | Snap ring |
| 40 | Output shaft | 90 | Seal | 140 | Shim |
| 42 | Key | 91 | Seal | 141 | Shim |
| 45 | Output shaft bearing | 96 | Seal | 142 | Supporting disc |
| 46 | Output shaft bearing | 111 | Snap ring | 143 | Supporting disc |
| 47 | Pinion shaft bearing | 112 | Shim | 146 | Key |
| 48 | Pinion shaft bearing | 113 | Drain plug | 147 | Shim |
| 49 | Pinion shaft bearing | 114 | Seal | 149 | Snap ring |
| 50 | Pinion shaft bearing | 118 | Bolt | 153 | Bolt |
| | | | | 154 | Grooved dowel pin |

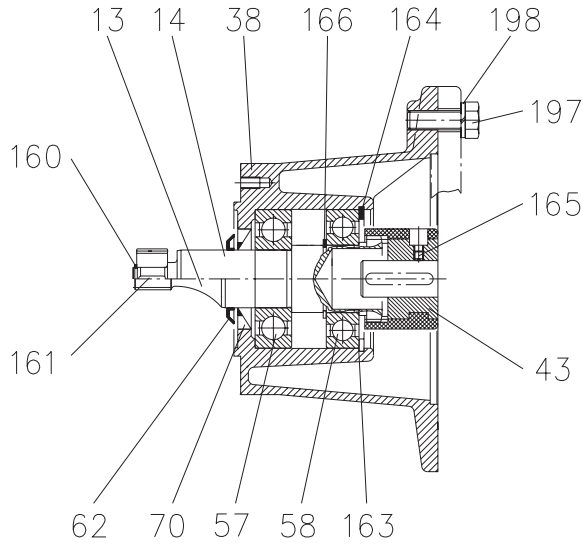


SK 273 F ... - SK 973 F ...

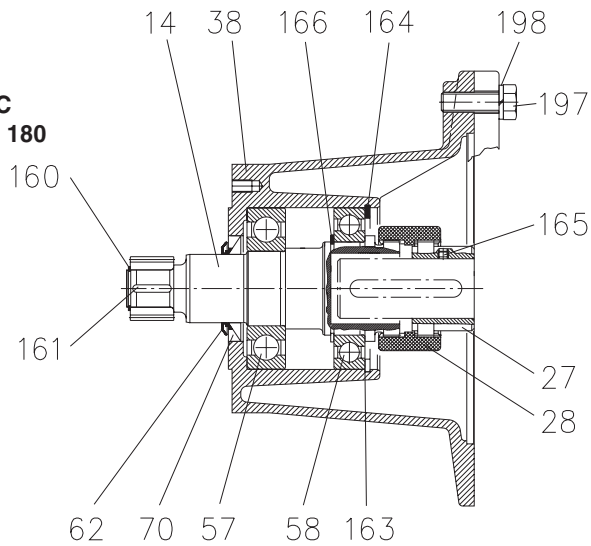


GENERAL PARTS LIST

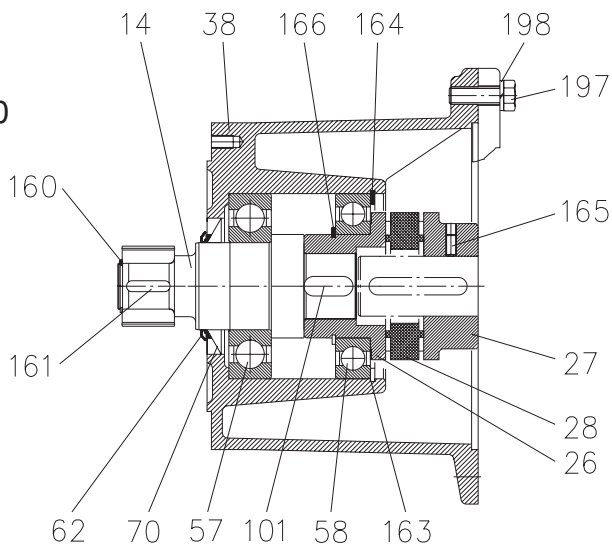
**56C - 180 TC
IEC 63 - IEC 112**



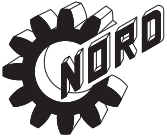
**180 TC - 280 TC
IEC 132 - IEC 180**



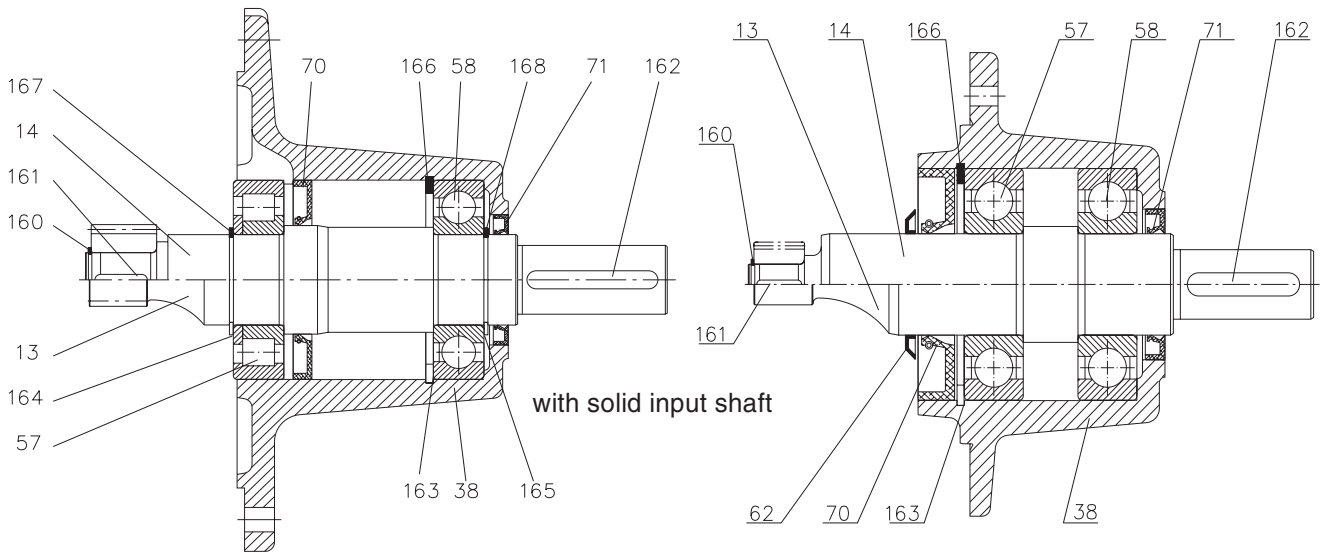
IEC 200



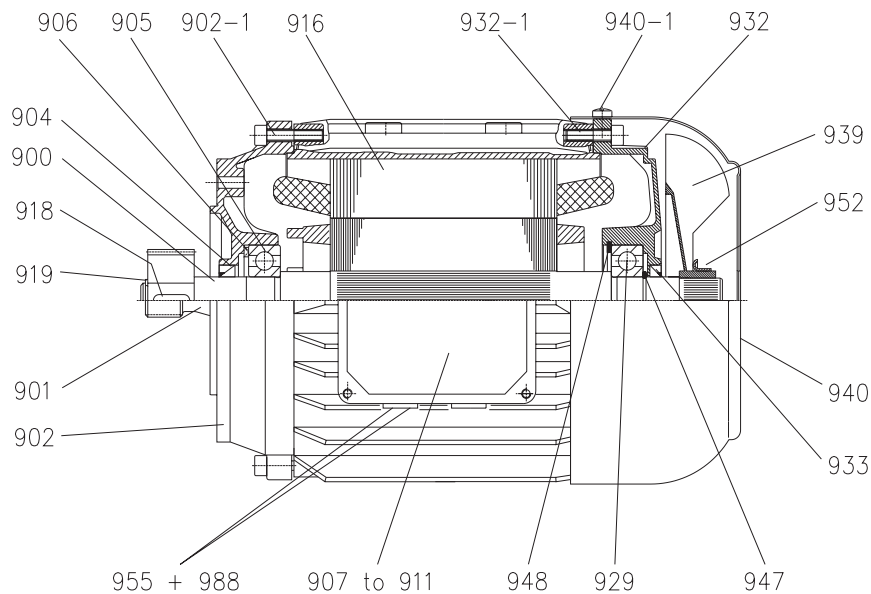
- | | |
|-----|----------------------|
| 13 | Clutch pinion shaft |
| 14 | Clutch shaft |
| 26 | Coupling |
| 27 | Coupling |
| 28 | Coupling |
| 38 | IEC Adapter |
| 43 | Coupling |
| 57 | Clutch shaft bearing |
| 58 | Clutch shaft bearing |
| 62 | Oil flinger |
| 70 | Shaft seal |
| 101 | Key |
| 160 | Snap ring |
| 161 | Key |
| 163 | Shim |
| 164 | Snap ring |
| 165 | Set screw |
| 166 | Snap ring |
| 197 | Bolt |
| 198 | Spring washer |



GENERAL PARTS LIST



13	Clutch pinion shaft	161	Key
14	Clutch shaft	162	Key
38	IEC Adapter	163	Shim
57	Clutch shaft bearing	164	Shim
58	Clutch shaft bearing	165	Shim
70	Shaft seal	166	Snap ring
71	Shaft seal	167	Snap ring
160	Snap ring	168	Snap ring



900	Rotor with shaft, plain
901	Rotor with shaft, gearcut
902	End shield B
902-1	Bolt
904	Shaft seal
905	Bearing A
906	Bearing shim
907	Terminal box frame
908	Terminal box cover
909	Terminal box frame gasket
910	Terminal box cover gasket
911	Terminal board
916	Stator case
918	Key
919	Snap ring
929	Bearing B
932	End shield B
932-1	Bolt
933	Shaft seal
939	Fan
940	Fan cover
940-1	Oval flat-head screw
947	Snap ring
948	Snap ring
952	Spacer
955	Plug
988	Seal

NOTES

NOTES

NOTES

NORD GEAR CORPORATION

Conditions of Sale

1. CONTRACT

Any contract between Nord Gear Corporation (Seller), and the buyer (Buyer) of any goods or products (Goods) from Seller, is subject to the terms and conditions of sale set forth in these Standard Terms and Conditions of Sale. Any deviation from these Standard Terms and Conditions of Sale must be specifically set forth in writing and consented to by Seller. Accordingly, Buyer and Seller acknowledge and agree that these Standard Terms and Conditions of Sale and the description of Goods contained in Seller's order confirmation, order acknowledgement or similar document, whether in writing or sent by any manner of electronic communication, shall govern Buyer's purchase of Goods and shall take precedence over and represents the final agreement between Buyer and Seller, notwithstanding any inconsistent, contradictory or other prior or further conditions contained in any oral or written request or purchase order issued by Buyer or any other document furnished by Buyer in connection with its purchase of the Goods, regardless of when such document or documents are exchanged. Any additional or different terms or conditions that may appear in any communication, oral or written, from Seller, its officers, employees, agents or representatives, are hereby expressly rejected and shall not be effective or binding upon Seller, unless specifically hereafter agreed to in writing by Seller, and no such additional or different terms or conditions in any document submitted to Seller by Buyer shall become part of the contract between Buyer and Seller, unless such written acceptance by Seller specifically recognizes and assents to their inclusion.

2. CONFIRMATION

An order shall be deemed accepted only when duly confirmed by Seller, at its home office in Waunakee, Wisconsin, and upon such confirmation the order shall become a contract binding upon the parties hereto, their successors and assigns.

3. PRICES

Prices shown in Seller's catalog are list prices and may be subject to applicable discounts. Unless otherwise agreed upon in writing, prices are FOB Seller's factory in Waunakee, Wisconsin. Prices and discounts are subject to change without notice until order is accepted. Seller's prices do not include cost of any inspection permits required.

4. LIMITED WARRANTY

Seller warrants the Goods sold hereunder to conform to Seller's specifications for the operating characteristics of the gearboxes and the gearmotors, and to be free from defects in material and workmanship under normal use and service and not arising from misuse, negligence, or accident, including but not limited to the use, installation, and transportation of the Goods by Buyer, its agents, servants, employees, or by carriers. With respect to Goods that do not meet the terms of this limited warranty, Seller's liability is limited, at Seller's election, to (1) refund of Buyer's purchase price for such Goods, or (2) replacement of such Goods. THIS LIMITED WARRANTY SHALL PERTAIN TO ANY PART OR PARTS OF ANY GOODS TO WHICH BUYER OR ITS ASSIGNS HAS GIVEN WRITTEN NOTICE OF CLAIMED DEFECTS TO SELLER. THIS WARRANTY IS LIMITED TO A PERIOD OF: 12 MONTHS FROM DATE OF INSTALLATION OR 18 MONTHS FROM DATE OF SHIPMENT WHICHEVER COMES FIRST ON ALL COMPONENTS; 36 MONTHS FROM DATE OF INVOICE OR 24 MONTHS FROM DATE OF INSTALLATION WHICHEVER COMES FIRST ON GEARS AND HOUSINGS ONLY. PARTS THAT ARE SUBJECT TO OPERATIONAL WEAR AND TEAR, SUCH AS BELTS & TRACTION DISCS, ARE NOT COVERED BY THIS LIMITED WARRANTY. Buyer shall be required to furnish Seller with details of such defects and this limited warranty shall be effective as to such Goods that Seller's examination shall disclose to its satisfaction to have been defective and which at Seller's option shall promptly thereafter be returned to Seller or its nominees. THE LIMITED WARRANTY SET FORTH HEREIN IS IN LIEU OF ALL OTHER WARRANTIES, EXPRESS OR IMPLIED. EXCEPT FOR THE EXPRESS WARRANTIES SET FORTH HEREIN, SELLER HAS MADE AND MAKES NO OTHER WARRANTIES, EXPRESS OR IMPLIED. AS TO GOODS SOLD BY IT, INCLUDING, BUT NOT LIMITED TO, THEIR MERCHANTABILITY OR FITNESS FOR ANY PARTICULAR PURPOSE. ANY DESCRIPTION OR MODEL OF ANY GOODS IS FOR IDENTIFICATION OR ILLUSTRATIVE PURPOSES ONLY AND SHALL NOT BE DEEMED TO CREATE ANY WARRANTY, EXPRESS OR IMPLIED. SELLER MAKES NO REPRESENTATIONS AS TO THE CAPACITY OR PERFORMANCE OF GOODS SOLD BY IT, EXCEPT AS SET FORTH IN THE SPECIFICATIONS OR OTHER VALID AGREEMENT OR CONDITION AGREED TO BETWEEN THE PARTIES, AND ANY SUCH REPRESENTATIONS ARE EXPRESSLY CONDITIONED UPON THE CORRECTNESS OF THE DATA AND INFORMATION FURNISHED BY BUYER AND UPON THE GOODS BEING PROPERLY INSTALLED AND MAINTAINED. THE REMEDIES OF THE BUYER PROVIDED HEREUNDER ARE EXCLUSIVE. In no event shall the Seller be liable to Buyer or to any other person for any loss or damage, direct or indirect, arising out of or caused by the use or operation of the Goods, or for the loss of profits, business, or good will, or for any incidental, special or consequential damages. Seller shall in no event be liable to any person or firm (including any assignee or Buyer) except Buyer and its successors. Unless specifically authorized by Seller in writing, Seller shall not become responsible for any repair work done by Buyer or any other party on any Goods. Any and all costs of the return to the Seller of such Goods and all related costs to remove and re-install such Goods, shall be borne by Buyer. Goods sold but not manufactured by the Seller are not warranted by Seller and any warranty with respect thereto are solely as may be warranted by any limited warranty policy of the original manufacturer thereof.

5. SHORTAGE AND NONCONFORMITY

Any claim of shortage or that Goods do not conform with the specifications of the order or model must be made in writing within ten (10) days after delivery of the Goods as to which such claim is made to Buyer or its nominees, but in no event shall the claim be later than within the time limit provided by the carrier or insurance company, otherwise such claim shall be deemed waived. Buyer may not return any Goods claimed to be in non-conformity without Seller's prior written authorization. Goods returned without permission will not be accepted, including for credit, and will be returned to Buyer, F.O.B. Seller's plant. Any claim based on the receipt of damaged Goods must be filed with the carrier that delivered the Goods. The samples, measurements, dimensions and weights contained in Seller's catalogs, sales manuals, photographs and drawings constitute only an approximate guide. Seller reserves the right to make any change that Seller, in its absolute discretion, considers necessary. While Goods will be delivered principally according to specifications or standards or quantities agreed upon, insignificant deviations or insignificant changes in construction are permissible. The same applies to partial deliveries. In the event that Buyer has a verified claim of shortage or nonconformity of Goods to the specifications of the order or the model, and if such claim has been submitted within the required time limit as set forth above, the Seller shall, at its own expense, make up for the shortage of the Goods, or replace or repair the Goods, as the case may be, but in no event shall Seller be or become liable to Buyer or to any other person or persons for any loss in damage, direct or indirect, arising out of or caused by such incidents or for the loss of profits, business or good will. The liability of Seller to Buyer, if any hereunder, for breach of warranty, contract, negligence or otherwise, shall in no event exceed the amount of the purchase price of the Goods sold with respect to which any damages are claimed. Shipping dates are estimates unless parties expressly agree on time of the essence.

6. FORCE MAJEURE

The obligation of Seller shall be modified or excused, as the case may be, for reasons of Acts of God, war, governmental law regulations, strikes or lock-outs, fire, breakdown of machinery, whether in its own business enterprise, or if for any other cause beyond Seller's control, the Goods cannot be delivered or their delivery becomes delayed in whole or in part. In the above instances time for delivery shall be extended for the period of the delay caused, with the proviso, however, that either party may cancel in writing the undelivered portion of the order if the delay exceeds six (6) months from the delivery date originally confirmed by Seller. In no event shall Seller become liable in the aforesaid instances to Buyer or any third party for consequential damages or business loss.

7. SHIPMENT AS UNIT

Each shipment by Seller shall be treated as a separate and distinct unit with respect to, but only with respect to, forwarding, terms of payment, and the making of claims by Buyer; provided, however, that if Buyer defaults in the payment of any obligation to Seller or any installments thereof, under any agreement between Buyer and Seller, or if Buyer refuses to accept any Goods when tendered for delivery, Seller may, on fifteen (15) days written notice to Buyer, without prejudice to Seller's other lawful remedies, either defer further performance until the defaulted payments are made in full, or make future deliveries for cash in advance only, or treat the entire contract or contracts with Buyer as breached by Buyer and pursue its remedies for breach.

8. BUYER'S REFUSAL OF DELIVERY

If Buyer refuses to accept delivery of any Goods tendered for delivery, then Seller, without prejudice to Seller's other lawful remedies, may either store or cause such Goods to be stored in a warehouse, for Buyer's account and at Buyer's cost, risk and expense, or sell such Goods, without notice to Buyer, to any purchaser(s) at public or private sale, and hold the Buyer liable for any difference between (a) the contract price of the Goods, and (b) the price at which the Goods are resold, less in either case the costs and expense of such resale including brokerage commissions, or restocking charges.

9. GOODS IN TRANSIT

If prior to delivery or while Goods are in transit, Buyer or Seller becomes bankrupt or insolvent, or any petition in bankruptcy or for the reorganization or for a state court receivership is filed against Buyer or Seller, as the case may be, then the other party hereto may forthwith terminate the contract for the sale of such Goods by giving written notice of termination. Such termination shall not affect any claim for damages available to Buyer, provided that if Buyer is then indebted to Seller, the amount of any such damage claim shall be abated to the extent that the indebtedness of Buyer to Seller, as actually paid in money, is abated by any order or judgment entered or any plan adopted in any bankruptcy, reorganization, receivership, or similar proceeding. Such termination shall not prejudice Seller's rights in any amounts then due under the contract. If Buyer becomes bankrupt or insolvent or any petition in bankruptcy or for reorganizing or if a state court receivership is filed against Buyer, then, at its option Seller may take possession of any Goods theretofore sold to Buyer, in connection with which the full purchase price has not been paid, analogous to the terms and provisions set forth in Paragraphs 11 and 12 hereinafter.

10. DELIVERY

Any indicated dates of delivery are approximate only, but Seller will attempt to meet them whenever possible. Seller will not be liable for any penalty clauses contained in any specifications or order submitted unless agreed to in writing by an authorized officer of Seller. Unless otherwise agreed by Seller, delivery of Goods to any carrier shall constitute delivery to Buyer, and thereafter the risk of loss or damage to the Goods shall be upon Buyer. If Buyer does not give delivery instructions to Seller at least (10) days prior to the delivery date ex factory confirmed by Seller, Seller, at its option, may deliver the Goods to a carrier of its own choosing, at Buyer's cost and risk, or store the Goods on the pier or any warehouse, at Buyer's cost and risk. Any purchase price in such event becomes due and payable within ten (10) days of such storage.

11. PAYMENT OF PURCHASE PRICE

Time of payment is of the essence with respect to Goods sold by Seller. Unless otherwise agreed by Seller, terms of payment are 30 days net from the date of invoice with a 1% discount if paid within 10 days of date of invoice. Upon default in any of the terms of the contract, or failure to comply with any of the conditions thereof, or upon seizure of the property under execution or other legal process, or if Buyer becomes bankrupt or insolvent, or any petition for reorganization or for a state court receivership is filed against Buyer, or if Buyer makes any assignment for the benefit of its creditors or otherwise sells, encumbers or disposes of the Goods, or if for any other reason Seller should deem itself insecure, the full amount of the purchase price then remaining unpaid shall at once become due and payable at the option of Seller.

12. BUYER'S DEFAULT

Upon Buyer's default, Seller may dispose of the Goods in any manner that it deems fit and, if it desires to resell same, may do so at private or public sale, with or without notice, and with or without the property being at the place of sale, subject, however, to applicable laws. Seller or its assigns shall have the right to bid at such sale and may become the purchaser of the Goods. The proceeds of the sale shall first be applied to the expenses incurred in retaking, repairing, storing and selling the Goods, reasonable attorney's fees included, and then shall be applied to the payment of the balance due under the contract. Any surplus amount shall be paid to Buyer. If a deficiency results after the resale, Buyer agrees to pay such forthwith, together with reasonable attorney's fees, for the recovery of the Goods incurred by Seller. If upon Buyer's default, Seller elects not to resell any Goods that it may repossess, then the cost of repossession, including reasonable attorney's fees, shall forthwith be due and payable from Buyer to Seller. Buyer agrees to pay all reasonable costs and reasonable attorney's fees incurred by Seller in enforcing Seller's rights against Buyer, including Seller's right to payment of the purchase price of the Goods and Buyer's payment of all other amounts owing to Seller required under.

13. SECURITY INTEREST AND TITLE

In states and localities that are governed by the Uniform Commercial Code, the contract of which these Standard Terms and Conditions of Sale are a part shall serve as security agreement, reserving in Seller a security interest in the Goods sold until full payment of purchase price. The provisions of the Uniform Commercial Code regarding security interests shall have preference and apply if inconsistent with other terms of the conditions of sale. In states and localities where the Uniform Commercial Code does not apply, title to the Goods shall remain in the Seller or its assigns until full payment of the purchase price. Buyer agrees to execute forthwith any and all documents in such a way and form as Seller may need for filing or recording the security interest under the Uniform Commercial Code with the proper registers or offices, or for filing or recording the conditional sales contract.

14. SALES AND USE TAX

Buyer agrees to bear and pay any sales or use tax in connection with the purchase of Goods from Seller, and to hold the Seller harmless from payment. At the option Seller, Buyer shall give evidence of payment or of exemption certificate.

15. INSURANCE

Buyer shall keep the Goods insured against damage by fire, water or other casualty as required by Seller, with a company acceptable to Seller, with loss payable to Seller for the total purchase price until Seller is fully paid. Seller, if it so elects, may place said insurance at Buyer's expense. Seller may cancel such insurance at any time and without notice and may receive the return premium, if any.

16. MODIFICATION BY SELLER

Any contract of which these Standard Terms and Conditions of Sale are a part may be assigned or transferred by Seller, or the time for the making of any payment due by Buyer may be extended by Seller without derogation of any of the rights of Seller or its assigns. Waiver by any party of any default shall not be deemed a waiver of any subsequent default.

17. RETURNED GOODS

No Goods will be accepted for return unless authorized in writing by Seller. In all cases, transportation and restocking charges will be borne by Buyer.

18. PACKING

Buyer will be charged for export packaging or other special packing desired. Cost for cartage to ship or transfer express will be added to the invoice. No credit will be allowed if no packing is required.

19. CHANGES/CANCELLATION

Seller will not accept changes in specifications to a confirmed order unless such changes are requested in writing and confirmed back in writing. In addition, Buyer must agree to any additional charges that may arise from the change. Placing orders on hold or cancellation of orders require Seller's written approval, and are subject to cancellation and/or restocking charges.

20. BUYER'S RESPONSIBILITY AS TO MAINTENANCE

Buyer shall use and shall require its employees and agents to use all safety devices and guards recommended or specified for use in connection with any Goods sold by Seller and shall maintain the same in proper working order. Buyer shall use and require its employees and agents to use safe operation procedures in operating the equipment and shall further obey and have its employees and agents obey safety instructions given by Seller. If Buyer fails to meet the obligations herein, Buyer agrees to defend, indemnify and save Seller and its owners, directors, officers, employees and agents harmless from any liability or obligation with regard to any personal injuries or property damages directly or indirectly connected with the operation of Goods sold by Seller. Buyer further agrees to notify Seller promptly and in any event not later than ten (10) days after notice or knowledge of any accident or malfunction involving Goods that may have or are alleged to have caused personal injury or property damages, and to cooperate fully with Seller in investigating and determining the causes of such accident and malfunction. In the event that Buyer fails to give such notice to Seller or to cooperate with Seller, Buyer shall be obligated to defend, indemnify and save Seller and its owners, directors, officers, employees and agents harmless from any such claims arising from such accident.

21. MISCELLANEOUS PROVISIONS

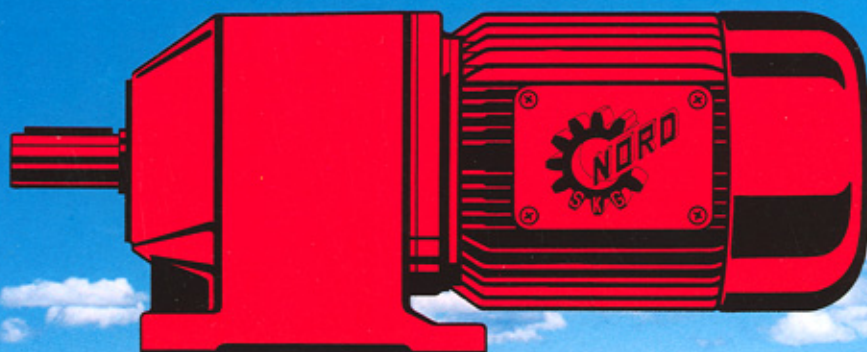
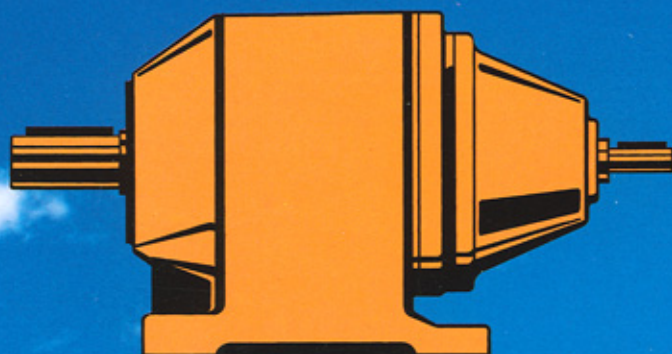
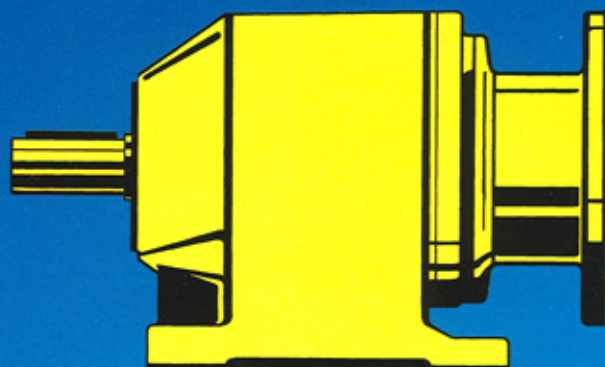
(a) If for any reason a provision hereof is legally invalid, then in such event the rest of these Standard Terms and Conditions shall remain in full force and effect, except that the parties shall try to replace such invalid provision closest to their original mutual intentions. (b) These Standard Terms and Conditions of Sale constitute the entire agreement between the parties regarding the subject matter hereof and supercedes all prior agreements, understandings and statements, whether oral or written, regarding such subject matter. No modification to, change in or departure from, the provisions of these Standard Terms and Conditions of Sale shall be valid or binding on Seller unless approved in writing by Seller. No course of dealing or usage of trade shall be applicable unless expressly incorporated herein. Any amendments to any contract or contracts of which these Standard Terms and Conditions of Sale are a part shall be valid only upon the written consent of both parties.

22. NON ASSIGNMENT BY BUYER

Contract or contracts may not be assigned by Buyer without prior written consent of Seller.

23. APPLICABLE LAW AND VENUE

These Standard Terms and Conditions of Sale and all contracts of which they are a part shall be governed by and construed and enforced in accordance with the internal laws of the State of Wisconsin, without giving effect to its conflict of laws provisions. All disputes arising from or relating to the terms of these Standard Terms and Conditions of Sale and any contract of which they are a part shall be submitted exclusively to the state or federal courts in Dane County, Wisconsin, and Buyer agrees to submit to the jurisdiction of such courts. Buyer waives any objection based on forum non-conveniens and any objection to venue of any action instituted hereunder. Each party disclaims the applicability of the United Nations Convention on Contracts for the International Sale of Goods



UNICASE

www.nord.com

NORD Gear Corporation

US - 888-314-6673
Email - info@nord-us.com

NORD Gear Limited

Canada - 800-668-4378
Email - info@nord-ca.com

West
Corona, CA (LA)
PH: 608-849-0190

Midwest
Waunakee, WI (Madison)
PH: 608-849-7300

East
Charlotte, NC
PH: 608-849-0140

Canada
Brampton, ON
PH: 905-796-3606