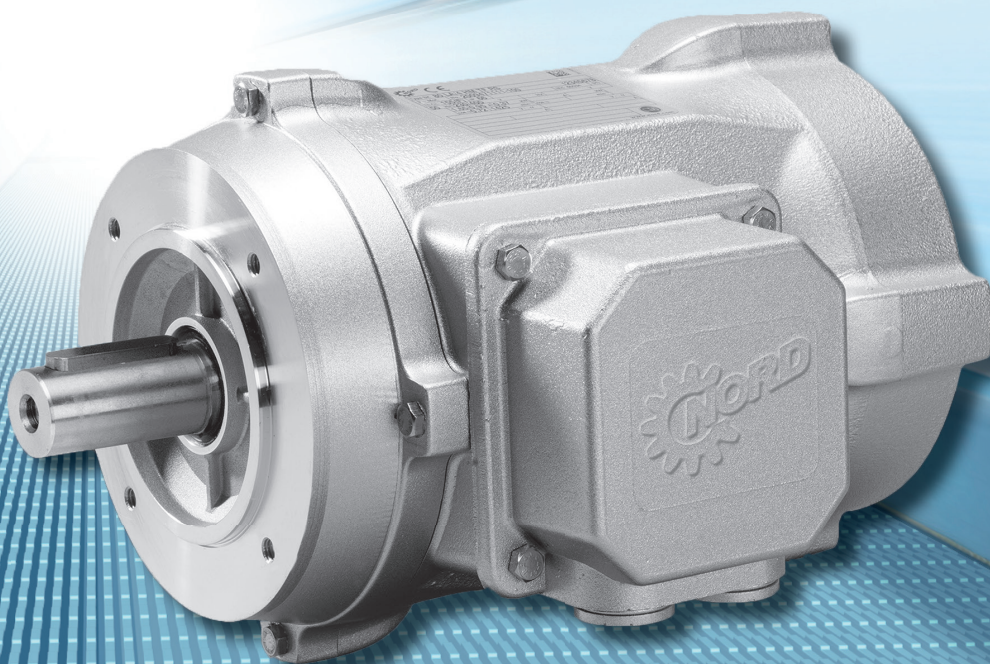


Intelligent Drivesystems, Worldwide Services



EN

**M7010**

**Motors with smooth surface**

Smooth motors type HM

Smooth motors type HMT **nsd tupH** surface

  
**DRIVESYSTEMS**

# Contents

---

<b>INTRODUCTION</b> .....	A 2
<b>NOMENCLATURE</b> .....	A 3
<b>OPTIONS</b> .....	A 4
<b>EXTENDED OPERATION RANGE AND INTERMITTENT OPERATION S3</b> .....	A 6
<b>MOTOR DATA AND DIMENSIONED DRAWINGS</b> .....	B 2



**DRIVESYSTEMS**

[www.nord.com](http://www.nord.com)



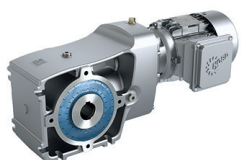


## Headquarters and Technology Centre

- in Bargteheide, close to Hamburg

### Mechanical products

Gear units



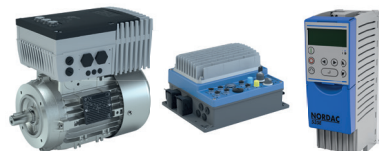
### Electrical products

Motors



### Electronic products

Inverters, motor starters and distribution systems



## Innovative drive solutions

- for more than 100 branches of industrial



Gear unit production



Motor production



Inverter production

## 7 state-of-the-art production plants

- produce gear units, motors and inverters also for complete drive solutions from a single source



The above map image is for information purpose and may not have been prepared or be suitable for legal purpose and we do not own any responsibility for correctness or authenticity of the same.

## Subsidiaries and sales partners in 89 countries on 5 continents

- provide local stocks
- assembly and production centres
- technical support
- customer service



## More than 4.000 employees throughout the world

- create customer oriented solutions

# NORD smooth surface motors

**NORD DRIVESYSTEMS** builds motors both with and without brakes for the international market.

Our own motor production facilities guarantee that NORD is independent from supply bottlenecks, ensuring short delivery times.


This is a decisive benefit for our customers. The use of NORD energy-saving three-phase motors with considerably higher efficiencies allows you to reduce operating costs.

This catalogue presents unventilated and ventilated NORD motors with smooth surfaces. Smooth surfaces are important, for example, where motors must be simply and thoroughly cleaned.

## Advantages

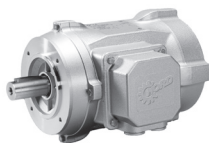
- Smooth surfaces, especially suitable for applications in the food and beverage industry.
- A wide choice of motor sizes 71, 80, 90, 100 for the major applications.
- The aluminium frame motors are available with the optional **nsd tupH** surface treatment to give the benefits of stainless steel drives at very economic cost.
- The motors are based on the NORD modular construction system and therefore offer maximum flexibility.

## Features

- Aluminium housing (smooth surface).
- Easy to clean thanks to smooth surfaces (Washdown = water always runs off).
- Special corrosion protection can be purchased with optional **nsd tupH** (⇒  B12).
- Perfectly suited for NORD smooth surface gear units as complete gearmotor assemblies.







## Motor power labelling

Shaft height 71, 80, 90, 100

**Power code** S, L, T

**Efficiency class** H/P = premium T 1,3,5 = IE4 IE3 unventilated IE2 ventilated

**Number of poles** 4-pole


**Motor type** Labelling only for motors with special characteristics

**HM** Smooth motors

**HMT** Smooth motors nsd tupH surface refinement

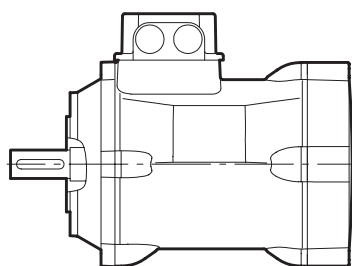
**Variant** unventilated (Standard)

**L/H** ventilated

**Option** ⇨  A4-5

### Example

**100** L **H** / **4** **HM** **TF** = Shaft height **100** Power code **L** Efficiency class **H** No. of poles **4** Motor type **HM** Option **TF**




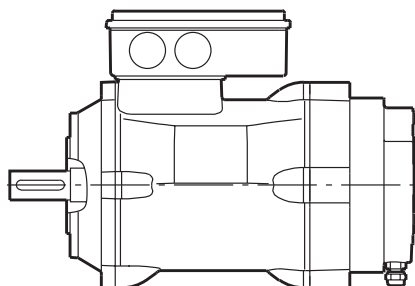
### Standard

Smooth motor, unventilated



NORD smooth surface motors always comply with protection class IP66 and can be combined with every gear unit type.

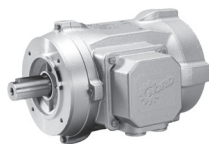
The tables on pages ⇨  A6-A7 help you dimensioning your application, especially in intermittent operation.



### Standard

Smooth motor with brake, unventilated

# Options



Abbreviations		Meaning		Smooth motor						
				unventilated S / L		unventilated		ventilated	unventilated T	
				Standard HM	nsd tupH HMT <sup>4)</sup>	Standard HM	nsd tupH HMT <sup>4)</sup>	HM <sup>5)</sup>	PMSM HM	PMSM HMT
<b>IP66 BRE ...+<sup>1)</sup></b>	Brake / braking torque + sub-option			<b>x<sup>5)</sup></b>	<b>x<sup>2)5)</sup></b>	<b>x</b>	<b>x</b>	<b>x</b>		
<b>IR</b>	Current relay			<b>x<sup>5)</sup></b>	<b>x<sup>5)</sup></b>	<b>x</b>				
<b>FHL</b>	Lockable manual release			-	-	<b>x</b>				
<b>HL</b>	Manual brake release			<b>x<sup>5)</sup></b>	-	<b>x</b>				
<b>MIK</b>	Micro switch			<b>x<sup>5)</sup></b>	-	<b>x</b>				
<b>BSH</b>	Standstill heater / Brake			<b>x<sup>5)</sup></b>	-	<b>x</b>				
<b>NRB 1</b>	Noise-reduced brake			-	<b>x<sup>5)</sup></b>	-				
<b>NRB 2</b>	Noise-reduced brake			<b>x<sup>5)</sup></b>	<b>x<sup>5)</sup></b>	<b>x</b>				
<b>IP69K</b>	Protection class	<b>x</b>	<b>x</b>	<b>x</b>	<b>x</b>	<b>x</b>	<b>x</b>	<b>x</b>		
<b>TF</b>	Thermistor, PTC resistor	<b>x</b>	<b>x</b>	<b>x</b>	<b>x</b>	<b>x</b>	<b>x</b>	<b>x</b>		
<b>TW</b>	Thermostat, bimetallic switch	<b>x</b>	<b>x</b>	<b>x</b>	<b>x</b>	<b>x</b>	<b>x</b>	<b>x</b>		
<b>SH<sup>3)</sup></b>	Standstill heating	<b>x</b>	<b>x</b>	<b>x</b>	<b>x</b>	<b>x</b>	<b>x</b>	<b>x</b>		
<b>WE +</b>	2. Shaft end			-	-	<b>x</b>				
<b>HR</b>	Hand wheel			-	-	<b>x</b>				
<b>RD</b>	Protective shield			-	-	<b>x</b>				
<b>RDT</b>	Protective shield, textile fan cowl			-	-	<b>x</b>				
<b>RDD</b>	Double fan-cowl			-	-	<b>x</b>				
<b>KB</b>	closeable condensation hole	<b>x</b>	<b>x</b>	<b>x</b>	<b>x</b>	<b>x</b>	<b>x</b>	<b>x</b>		
<b>KKV</b>	Terminal box, encapsulated	<b>x</b>	<b>x</b>	<b>x</b>	<b>x</b>	<b>x</b>	<b>x</b>	<b>x</b>		
<b>MS</b>	Plug-on motor coupling			<b>x</b>	-	<b>x</b>				
<b>F</b>	External fan			-	-	<b>x</b>				
<b>IG1</b> (IG11, 12)	Pulsed incremental encoder 1024			-	<b>x<sup>5)</sup></b>	<b>x</b>				
<b>IG2</b> (IG21, 22)	Pulsed incremental encoder 2048			-	<b>x<sup>5)</sup></b>	<b>x</b>				
<b>IG4</b> (IG41, 42)	Pulsed incremental encoder 4096			-	<b>x<sup>5)</sup></b>	<b>x</b>				
<b>IG.K</b>	Encoder with terminal box			-	-	<b>x</b>				

1) it is quick-switching rectifier to use

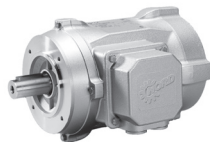
2) integrated brake ⇒ B7

3) Brake terminal box

4) nsd tupH coating with A+B bearing cover, stator housing and terminal box

5) not for size 71






## Brake - attached brake IP66 (BRE)

By default, a closed brake is directly screwed to the B-bearing cover of the motor;

E.g.: 80 LH/4 HM **BRE5**

## Brake - with cover (BRE) integrated brake

Especially for motors with **nsd tupH** coating, the brake is protected by an aluminium cover also coated with **nsd tupH**;

E.g.: 80 LH/4 HMT **BRE5** (⇒  B7 - integrated brake)

## Current measuring relay (IR)

Generator operation is excluded after the motor was switched off;

E.g.: 80 LH/4 HM **BRE5 IR**

## Micro switch (MIK)

Brake with electronic release monitor;

E.g.: 80 LH/4 HM **BRE5 MIK**

## Standstill heater / brake (BSH)

To prevent the condensation of moisture and freezing of the brake, a the brake with standstill heater can be implemented;

E.g.: 80 LH/4 HM **BSH**

## IP69K

Protection against the ingress of dust (**IP6\_**) and Protection against the penetration of water, even with high pressure or steam jet cleaning (**IP\_9K**)

## Thermal motor protection

NORD can supply two heat protection components.

- **TF** = Thermistor temperature sensor (series)
- **TW** = Bimetal temperature sensor (for an extra charge)

These are used to directly monitor the temperature of the windings with full utilisation of the motor power;

E.g.: 80 LH/4 HM **TF**

## Standstill heating (SH)

A standstill heater must be used in case of severe temperature fluctuations, high humidity or extreme climatic conditions. This prevents condensation inside the motor;

E.g.: 100 LH/4 HM **SH**

## 2. shaft end (WE)

Motors with a second shaft end on the B side;

E.g.: 100 LH/4 HM L/H **WE**


## Handwheel (HR)

Motors with a handwheel mounted on the rear shaft end of the shaft;

E.g.: 90 SH/4 HM L/H **HR**


## Protective cover (RD)

Protection against rain and entry of foreign bodies for vertical installation with the shaft pointing downwards;

E.g.: 100 LH/4 HM L/H **RD** (⇒  B9, B11)

## Protective cover, textile fan cowl (RDT)

These motors have a fan cowl which is specially designed for use in the field of textiles. The lack of a normal ventilation grille prevents the build-up of flakes and fluff, which could impair the cooling of the motor;

E.g.: 80 LH/4 HM L/H **RDT** (⇒  B9, B11)

## Double fan cowl (RDD)

Protection against rain and snow and entry of foreign bodies for vertical installation with the shaft pointing downwards. Suitable for water jets from all directions;

E.g.: 90 SH/4 HM L/H **RDD** (⇒  B9, B11)

## Condensation drain hole (KB)

Depending on installation position, condensation drainage holes are drilled at the lowest position of the A or B bearing plate. These are closed with hex screws.

⚠ The version must be stated!

E.g.: 80 LH/4 HM **KB**

## Encapsulated terminal box (KKV)

Terminal box base encapsulated in direction of interior;

E.g.: 80 LH/4 HM **KKV**

## Motor plug connectors (MS)

### Normal version

Terminal box at I, plug at II (to B-side, plug at I + III possible)

The plug connector is mounted on the side of the terminal box. Housings with 2-clamp transverse locking are used. At the motor, there is a 10-pole pin version;

E.g.: 80 LH/4 HM **MS**

### External fan (F)

Motor with separately controlled fan;

E.g.: 90 SH/4 HM **F**

## Encoders

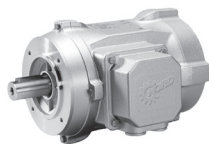
### Incremental encoder (IG)

Incremental encoders with various pulse numbers and interfaces are available. With "unventilated" motor variants, the encoder is protected underneath an aluminium cover. With the "ventilated" variants, the encoder is mounted under the fan cover.

### IG1K, IG2K or IG4K

With ventilated motors, an alternative connection in a separate terminal box is possible with the options IG1K, IG2K or IG4K (extra charge).

### Quick-switching rectifier for installation in control cabinet



## Extended operation range and intermittent operation S3

In the S3 mode, the motors are not subject to the efficiency classification. The following data can be used for motor planning. The breakdown torque is always higher than the 1.6-fold operating torque. The maximum utilisation of the motors is in accordance with thermal class 155 (F).

The heating of unventilated motors greatly depends on the installation conditions. The maximum surface temperature is only insignificantly below the temperature of the windings.

### 400 V / 50 Hz 4 - pole unventilated

Type	S1			S3-60%			S3-40%			S3-25%		
	P <sub>N</sub> [kW]	I [A]	n [1/min]	P [kW]	I [A]	n [1/min]	P [kW]	I [A]	n [1/min]	P [kW]	I [A]	n [1/min]
80 LH/4	0,37	0,98	1425	0,5	1,2	1390	0,63	1,5	1340	0,7	1,67	1325
90 SH/4	0,55	1,27	1435	0,75	1,61	1405	0,9	1,9	1385	1,2	2,66	1305
100 SH/4	0,75	1,65	1450	1,1	2,25	1420	1,35	2,75	1395	1,5	3,0	1390
100 LH/4	1,1	2,4	1445	1,5	3,05	1425	1,8	3,6	1410	2,2	4,4	1380

### 460 V / 60 Hz 4 - pole unventilated

Type	S1			S3-60%			S3-40%			S3-25%		
	P <sub>N</sub> [kW]	I [A]	n [1/min]	P [kW]	I [A]	n [1/min]	P [kW]	I [A]	n [1/min]	P [kW]	I [A]	n [1/min]
80 LH/4	0,37	0,89	1735	0,5	1,05	1710	0,63	1,26	1680	0,7	1,38	1670
90 SH/4	0,55	1,14	1740	0,75	1,4	1720	0,9	1,62	1705	1,2	2,13	1665
100 SH/4	0,75	1,47	1755	1,1	1,95	1735	1,35	2,32	1715	1,5	2,55	1710
100 LH/4	1,1	2,14	1755	1,5	2,65	1735	1,8	3,1	1725	2,2	3,7	1710

Motors with increased power are electrically and mechanically modified compared with the energy-efficient motors.

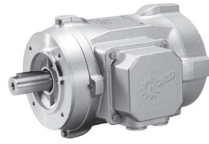
### 400 V / 50 Hz 4 - pole unventilated / Increased power

Type	S1			S3-60%			S3-40%			S3-25%		
	P <sub>N</sub> [kW]	I [A]	n [1/min]	P [kW]	I [A]	n [1/min]	P [kW]	I [A]	n [1/min]	P [kW]	I [A]	n [1/min]
80 L/4	0,47	1,25	1420	0,6	1,46	1395	0,75	1,76	1360	0,9	2,15	1310
90 S/4	0,67	1,58	1435	0,9	1,94	1410	1,1	2,3	1390	1,4	3,0	1335
100 S/4	1,0	2,2	1445	1,3	2,67	1425	1,5	3,0	1415	1,7	3,4	1405
100 L/4	1,3	2,95	1450	1,75	3,62	1430	2,1	4,22	1415	2,5	5,0	1395

### 460 V / 60 Hz 4 - pole unventilated / Increased power

Type	S1			S3-60%			S3-40%			S3-25%		
	P <sub>N</sub> [kW]	I [A]	n [1/min]	P [kW]	I [A]	n [1/min]	P [kW]	I [A]	n [1/min]	P [kW]	I [A]	n [1/min]
80 L/4	0,53	1,2	1720	0,7	1,43	1690	0,85	1,68	1665	1,0	1,97	1630
90 S/4	0,77	1,53	1735	1,0	1,84	1715	1,25	2,22	1690	1,6	2,86	1640
100 S/4	1,15	2,13	1740	1,5	2,62	1725	1,8	3,08	1705	2,05	3,48	1695
100 L/4	1,45	2,8	1750	2,0	3,5	1725	2,4	4,1	1710	2,9	4,9	1690





**400 V / 50 Hz**  
**4 - pole**

**ventilated**

Type	P <sub>N</sub> [kW]	P <sub>S1max</sub> [kW]	S1		S3-60%			S3-40%			S3-25%		
			I [A]	n [1/min]	P [kW]	I [A]	n [1/min]	P [kW]	I [A]	n [1/min]	P [kW]	I [A]	n [1/min]
80 LH/4 HM L/H	0,75	1,0	2,4	1360	1,1	2,63	1340	1,2	2,9	1310	1,3	3,17	1285
90 SH/4 HM L/H	1,1	1,5	3,28	1380	1,65	3,6	1365	1,8	3,93	1345	2,0	4,42	1315
100 SH/4 HM L/H	1,5	2,15	4,36	1400	2,35	4,77	1390	2,55	5,21	1375	2,85	5,94	1355
100 LH/4 HM L/H	2,2	2,75	5,65	1415	3,0	6,11	1405	3,3	6,7	1390	3,75	7,67	1370

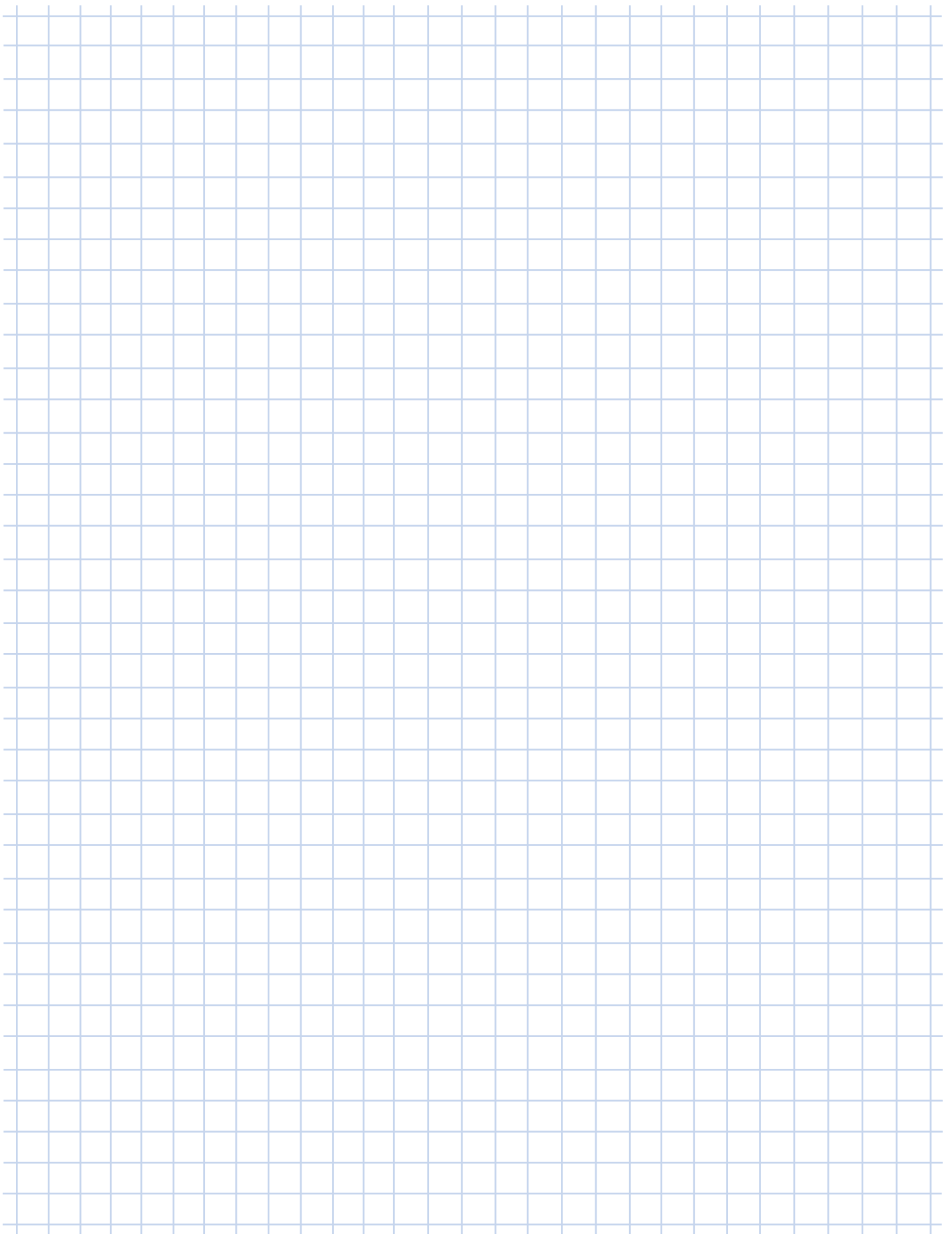
**460 V / 60 Hz**  
**4 - pole**

**ventilated**

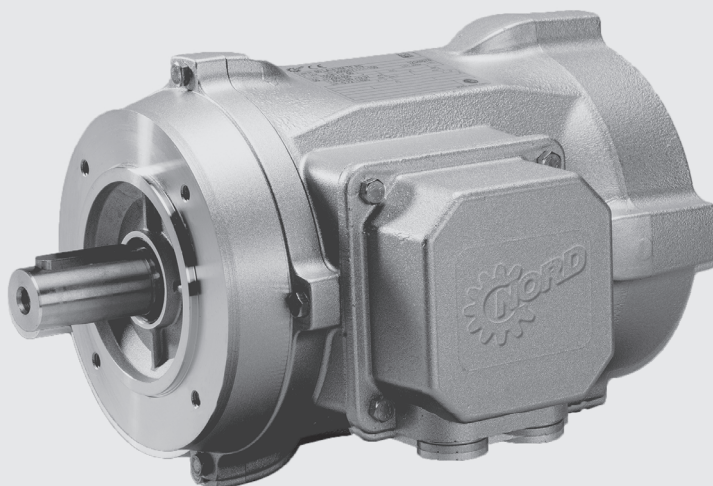
Type	P <sub>N</sub> [kW]	P <sub>S1max</sub> [kW]	S1		S3-60%			S3-40%			S3-25%		
			I [A]	n [1/min]	P [kW]	I [A]	n [1/min]	P [kW]	I [A]	n [1/min]	P [kW]	I [A]	n [1/min]
80 LH/4 HM L/H	0,75	1,25	2,46	1640	1,35	2,67	1620	1,45	2,89	1600	1,55	3,11	1585
90 SH/4 HM L/H	1,1	1,85	3,37	1665	2,0	3,63	1650	2,15	3,92	1635	2,35	4,31	1620
100 SH/4 HM L/H	1,5	2,55	4,38	1695	2,8	4,82	1680	3,0	5,18	1675	3,4	6,0	1645
100 LH/4 HM L/H	2,2	3,3	5,68	1705	3,65	6,25	1695	3,95	6,75	1685	4,45	7,66	1665

# Notes

---







## MOTOR DATA

## DIMENSIONED DRAWINGS OF MOTORS

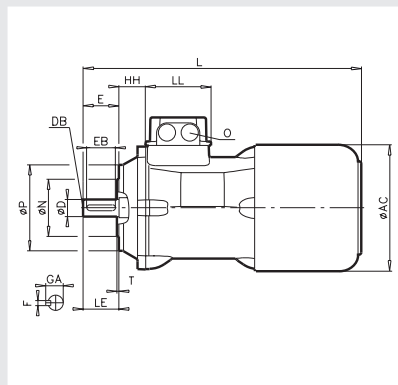
**Standard HM/HMT  
unbelüftet**

**1500 1/min  
50 Hz** **230/400 V / 400/690 V**  
4 - polig

Type	S1		I <sub>N</sub>	I <sub>FL</sub>	I <sub>FC</sub>	cos φ	η	M <sub>e</sub>	M <sub>FL</sub>	M <sub>FC</sub>	M <sub>TC</sub>	λ <sub>FC</sub>	J	
	P <sub>N</sub>	P <sub>FL</sub>												
80 L144 HMT	0.47	1395	2.0	1.15	1.150/0.88	0.74	77.5	79.5	78.9	3.21	2.5	2.6	5.0	0.0019
90 S144 HMT	0.67	1460	2.46	1.42	1.420/1.02	0.84	79.5	81.8	81.5	4.98	2.4	2.7	5.8	0.0024
100 S144 HMT	1.0	1420	2.94	1.62	1.620/1.10	0.88	81.0	83.8	83.0	6.7	2.4	2.8	6.2	0.0026
100 L144 HMT	1.3	1435	4.64	2.61	2.61/1.55	0.81	86.2	88.5	85.8	8.64	3.0	3.5	7.3	0.0029

**1800 1/min  
60 Hz** **285/460 V / 460 V**  
4 - polig

Type	S1		I <sub>N</sub>	I <sub>FL</sub>	I <sub>FC</sub>	cos φ	η	M <sub>e</sub>	M <sub>FL</sub>	M <sub>FC</sub>	M <sub>TC</sub>	λ <sub>FC</sub>	J	
	P <sub>N</sub>	P <sub>FL</sub>												
80 L144 HMT	0.53	1700	1.8	1.1	1.1	0.74	79.5	81.0	80.9	2.97	2.5	2.6	5.4	0.0019
90 S144 HMT	0.77	1700	2.4	1.38	1.38	0.84	80.8	83.1	82.9	4.33	2.4	2.8	6.0	0.0024



# Standard HM/HMT unventilated

1500 1/min  
50 Hz

230/400 V / 400/690 V  
4 - pole

IE3

S1

Type	P <sub>N</sub>	η <sub>N</sub>	I <sub>N</sub>	I <sub>N</sub>	cos	η			M <sub>N</sub>	M <sub>A</sub> /M <sub>N</sub>	M <sub>K</sub> /M <sub>N</sub>	I <sub>A</sub> /I <sub>N</sub>	J	kg
	S1		230/400 V	400/690 V	φ	1/2xP <sub>N</sub>	3/4xP <sub>N</sub>	4/4xP <sub>N</sub>						
	[kW]	[1/min]	[A]	[A]		[%]	[%]	[%]	[Nm]				[kgm <sup>2</sup> ]	[kg]
71 SP/4 HM	0,12	1420	0,66/0,38	0,38/0,22	0,66	60,1	66,8	69,2	0,81	3,22	3,17	4,80	0,00072	5,27
71 MP/4 HM	0,18	1400	0,95/0,55	0,55/0,32	0,70	63,5	68,9	70,0	1,22	3,04	2,98	4,70	0,00086	5,96
71 LP/4 HM	0,25	1400	1,15/0,67	0,67/0,38	0,72	70,1	73,6	73,7	1,69	3,04	2,89	4,80	0,0011	6,85
80 LH/4 HM	0,37	1425	1,70/0,98	0,98/0,57	0,70	73,9	78,2	79,3	2,48	3,50	3,50	5,50	0,0019	10,20
90 SH/4 HM	0,55	1435	2,20/1,27	1,27/0,73	0,78	76,2	80,1	81,2	3,66	3,60	4,10	7,20	0,0034	15,10
100 SH/4 HM	0,75	1450	2,86/1,65	1,65/0,95	0,80	76,9	81,0	82,5	4,94	3,50	4,10	7,70	0,0060	21,00
100 LH/4 HM	1,10	1445	4,16/2,40	2,40/1,39	0,78	79,5	83,0	84,1	7,25	3,90	4,30	7,90	0,0075	25,20

1800 1/min  
60 Hz





265/460 V / 460 VΔ  
4 - pole

IE3

S1

Type	P <sub>N</sub>	η <sub>N</sub>	I <sub>N</sub>	I <sub>N</sub>	cos	η			M <sub>N</sub>	M <sub>A</sub> /M <sub>N</sub>	M <sub>K</sub> /M <sub>N</sub>	I <sub>A</sub> /I <sub>N</sub>	J	kg
	S1		265/460 V	460 VΔ	φ	1/2xP <sub>N</sub>	3/4xP <sub>N</sub>	4/4xP <sub>N</sub>						
	[kW]	[1/min]	[A]	[A]		[%]	[%]	[%]	[Nm]				[kgm <sup>2</sup> ]	[kg]
71 SP/4 HM	0,12	1730	0,59/0,34	0,34	0,61	59,2	66,4	69,5	0,66	4,00	4,03	5,70	0,00072	5,27
71 MP/4 HM	0,18	1720	0,85/0,49	0,49	0,65	63,3	70,1	72,3	1,00	3,86	3,80	5,60	0,00086	5,96
71 LP/4 HM	0,25	1720	1,03/0,60	0,60	0,69	70,1	74,8	76,2	1,38	3,76	3,70	6,00	0,0011	6,85
80 LH/4 HM	0,37	1735	1,54/0,89	0,89	0,68	69,8	75,6	78,2	2,03	4,20	4,30	6,50	0,0019	10,20
90 SH/4 HM	0,55	1740	1,97/1,14	1,14	0,75	73,7	78,9	81,1	3,01	4,30	4,90	8,20	0,0034	15,10
100 SH/4 HM	0,75	1755	2,55/1,47	1,47	0,78	79,9	83,9	85,5	4,08	4,20	4,90	8,80	0,0060	21,00
100 LH/4 HM	1,10	1755	3,71/2,10	2,10	0,76	81,4	85,1	86,5	6,00	4,60	5,10	9,10	0,0075	25,20

Type plate

				
Type SK 80 LH/4 HM TF				
3 ~ Mot.	No. 2009471123-100	12345678		
Th. Cl. 155(F)	IP 66	S1	IEC 60034 (H)	
50 Hz	230/400 VΔ/Y	60 Hz	265/460 VΔ/Y	
1,7/0,98 A	0,37 kW	1,54/0,89 A	0,37 kW	
COS φ 0,7	1425 min <sup>-1</sup>	COS φ 0,68	1735 min <sup>-1</sup>	
V		V		
A		A		
IE3 = 79,3 %		IE3 = 78,2 %		
				
Getriebefabrik NORD GmbH & Co. KG, 22939 Barßfelde / GERMANY <a href="http://www.nord.com">www.nord.com</a>				

1500 1/min  
50 Hz

230/400 V / 400/690 V  
4 - pole

S1

			$P_N$	$n_N$	$I_N$	$I_N$	cos	$\eta$			$M_N$	$M_A/M_N$	$M_K/M_N$	$I_A/I_N$	J	kg
Type			S1		230/400 V	400/690 V	$\varphi$	1/2xP <sub>N</sub>	3/4xP <sub>N</sub>	4/4xP <sub>N</sub>						
			[kW]	[1/min]	[A]	[A]		[%]	[%]	[%]	[Nm]				[kgm <sup>2</sup> ]	[kg]
80	L/4	HM	0,47	1420	2,17/1,25	1,25/0,72	0,68	70,9	75,7	77,3	3,15	3,6	3,6	5,4	0,0019	10,2
90	S/4	HM	0,67	1435	2,74/1,58	1,58/0,91	0,74	72,4	77,3	79,1	4,45	3,6	4,2	7,2	0,0034	15,1
100	S/4	HM	1,0	1445	3,8 /2,2	2,2 /1,27	0,79	75,3	79,5	81,0	6,61	3,3	3,9	7,3	0,006	21,0
100	L/4	HM	1,3	1450	5,0 /2,95	2,95/1,67	0,75	75,9	80,4	82,1	8,56	4,1	4,5	7,9	0,0075	25,2



1800 1/min  
60 Hz

265/460 V / 460 V $\Delta$   
4 - pole

S1

			$P_N$	$n_N$	$I_N$	$I_N$	cos	$\eta$			$M_N$	$M_A/M_N$	$M_K/M_N$	$I_A/I_N$	J	kg
Type			S1		265/460 V	460 V $\Delta$	$\varphi$	1/2xP <sub>N</sub>	3/4xP <sub>N</sub>	4/4xP <sub>N</sub>						
			[kW]	[1/min]	[A]	[A]		[%]	[%]	[%]	[Nm]				[kgm <sup>2</sup> ]	[kg]
80	L/4	HM	0,53	1720	2,08/1,2	1,2	0,69	75,8	80	81,3	2,94	3,6	3,7	5,9	0,0019	10,2
90	S/4	HM	0,77	1735	2,65/1,53	1,53	0,76	76,8	81,0	82,5	4,23	3,8	4,3	7,6	0,0034	15,1
100	S/4	HM	1,15	1740	3,69/2,13	2,13	0,8	79,0	82,8	84,0	6,3	3,4	4,0	7,6	0,006	21,0
100	L/4	HM	1,45	1750	4,85/2,8	2,8	0,75	77,9	82,2	84,0	7,92	4,3	4,7	8,6	0,0075	25,2

Type plate

					
Type SK 80 L /4 HM TF					
3 ~ Mot.		No. 2009471123-100		12345678	
Th.Cl. 155(F)		IP 66		S1	
50 Hz		230/400 V $\Delta$ /Y		60 Hz	
2,17/1,25 A		0,47 kW		2,08/1,2 A	
COS $\varphi$ 0,68		1420 min <sup>-1</sup>		COS $\varphi$ 0,69	
				1720 min <sup>-1</sup>	
V			V		
A			A		
Getriebebau NORD GmbH & Co. KG, 22939 Bargteheide / GERMANY <a href="http://www.nord.com">www.nord.com</a>					

# HM ventilated

1500 1/min  
50 Hz

230/400 V & 400/690 V  
4 - pole

IE2

S1

Type	P <sub>N</sub> [kW]	n <sub>N</sub> [1/min]	I <sub>N</sub>		cos φ	η			M <sub>N</sub> [Nm]	M <sub>A</sub> /M <sub>N</sub>	M <sub>K</sub> /M <sub>N</sub>	I <sub>A</sub> /I <sub>N</sub>	J [kgm <sup>2</sup> ]	kg
			230/400 V	400/690 V		1/2xP <sub>N</sub>	3/4xP <sub>N</sub>	4/4xP <sub>N</sub>						
			[A]	[A]		[%]	[%]	[%]						
80 LH/4 HM L/H	0,75	1420	3,23/1,87	1,87/1,08	0,7	80,4	82,0	81,6	5,05	3,15	3,3	5,3	0,0019	10,2
90 SH/4 HM L/H	1,1	1435	4,40/2,54	2,54/1,47	0,76	81,5	83,8	83,6	7,4	3,35	3,7	6,4	0,0034	15,1
100 SH/4 HM L/H	1,5	1445	5,56/3,21	3,21/1,85	0,8	84,9	86,3	85,8	10,1	3,05	3,65	7,2	0,006	21,0
100 LH/4 HM L/H	2,2	1440	8,33/4,81	4,81/2,78	0,8	85,4	86,4	85,8	15,2	3,2	3,7	7,1	0,0075	25,2

1800 1/min  
60 Hz



265/460 V & 460 V D  
4 - pole

IE2

S1

Type	P <sub>N</sub> [kW]	n <sub>N</sub> [1/min]	I <sub>N</sub>		cos φ	η			M <sub>N</sub> [Nm]	M <sub>A</sub> /M <sub>N</sub>	M <sub>K</sub> /M <sub>N</sub>	I <sub>A</sub> /I <sub>N</sub>	J [kgm <sup>2</sup> ]	kg
			265/460 V	460 V		1/2xP <sub>N</sub>	3/4xP <sub>N</sub>	4/4xP <sub>N</sub>						
			[A]	[A]		[%]	[%]	[%]						
80 LH/4 HM L/H	0,75	1735	2,89/1,67	1,67	0,67	80,1	83,2	83,8	4,13	3,7	4,0	6,4	0,0019	10,2
90 SH/4 HM L/H	1,1	1745	3,91/2,26	2,26	0,73	81,5	84,3	85,1	6,1	3,9	4,6	7,8	0,0034	15,1
100 SH/4 HM L/H	1,5	1755	4,88/2,82	2,82	0,78	83,7	86,4	86,9	8,28	3,4	4,45	8,6	0,006	21,0
100 LH/4 HM L/H	2,2	1750	7,10/4,10	4,10	0,77	85,4	87,6	87,8	12,5	3,7	4,5	8,7	0,0075	25,2

## Type plate

					
Type SK 80 LH/4 HM L/H TF					
3 ~ Mot.		No. 20094 71123-100		12345678	
Th.Cl. 155(F)		IP 66		S1	
50 Hz		230/400 V Δ/Y		60 Hz	
3,23/1,87 A		0,75 kW		2,89/1,67 A	
COS φ 0,7		1420 min <sup>-1</sup>		COS φ 0,67	
1735 min <sup>-1</sup>					
V		V		A	
IE2 = 81,6 %				IE2 = 83,8 %	
Getriebefabrik NORD GmbH & Co. KG, 22939 Bargtheide / GERMANY <a href="http://www.nord.com">www.nord.com</a>					








2100 1/min 70 Hz	400 V 4 - pole	IE4
---------------------	-------------------	-----

S1

Type	$M_N$ [Nm]	$P_N$ [kW]	$n_N$ [1/min]	$I_N$ [A]	$\eta$ [%]	$M_{max}^*$ [Nm]	kT [Nm/A]	kE [mV/rpm]	J [kgm <sup>2</sup> ]	kg
80 T1/4 HM	3,41	0,75	2100	1,46	91,2	13,5	2,30	154,00	0,0011	7,8
90 T3/4 HM	5	1,1	2100	2,08	93,0	28,3	2,40	156,00	0,0024	11,6
100 T5/4 HM	10	2,2	2100	4,16	91,2	53,5	2,40	165,00	0,0060	20,2

\* short time

## Type plate

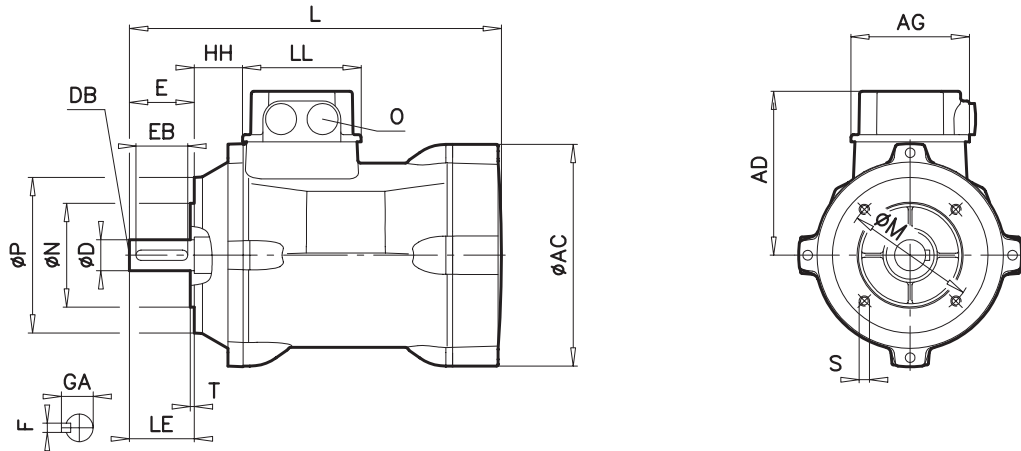
   									
Type SK 90 T3 / 4 HM TF									
3 ~ Mot.		No.							
Th.Cl. 155(F)		IP66		S1		IEC 60034		(H)	
VΔ/Y	Hz	kW	HP	A	cosφ	min <sup>-1</sup>	%	IE4	
195/338	70	1,1	1,5	3,61/2,08	0,97	2100	92,7		
Ur 400 - 460 V		VPWM		CT		SF 1,0		Isf 3,61/2,08 A	
KE 90/156 mV/min		Kt 1,4/2,4 Nm/A		Imax 20,4/11,8		A			
Rstr 2,45 Ω		Ld 27,5 mH		Lq 61,0 mH					
Getriebebau NORD GmbH & Co. KG, 22939 Bargteheide / GERMANY 									



# B14 unventilated + PMSM HM

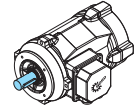
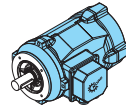
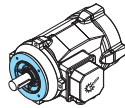


## Standard



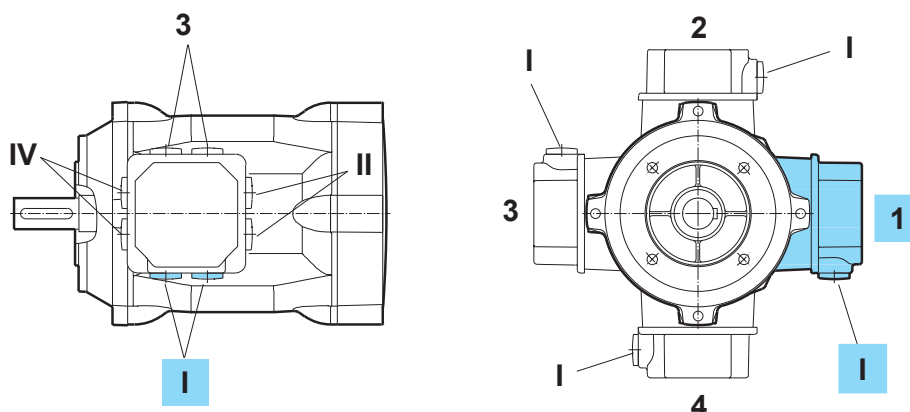
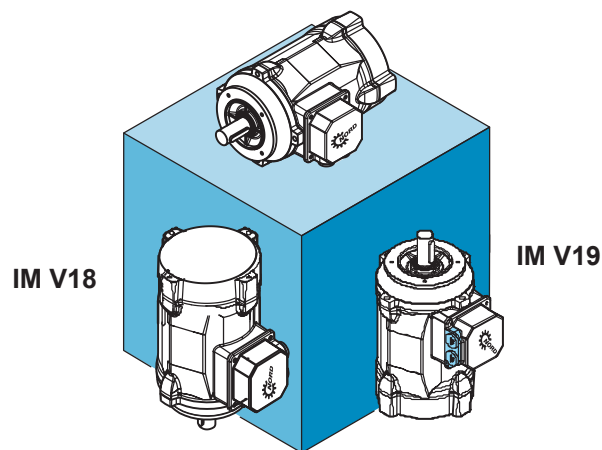
### Type

HM / HMT  
unventilated

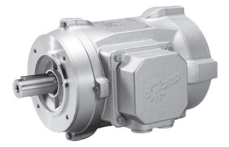


		[mm]																		
		M	N	P	S	T	AC	AD	AG	HH	L	O	LE	LL	D	DB	E	EB	F	GA
71	SP / MP / LP	85	70	105	M6x12	2,0	136	109	75	32	207	M16x1,5	30	75	14	M5	30	20	5	16
80	L / LH / T1	100	80	120	M6x12	3,0	154	123,5	92	34	243	M20x1,5	40	92	19	M6	40	32	6	21,5
90	S / SH / T3	115	95	140	M8x15	3,0	171	128,5	92	37	288	M20x1,5	50	92	24	M8	50	40	8	27
100	S / L / SH / LH / T5	130	110	160	M8x16	3,5	192	139,5	92	43	324	M20x1,5	60	92	28	M10	60	50	8	31

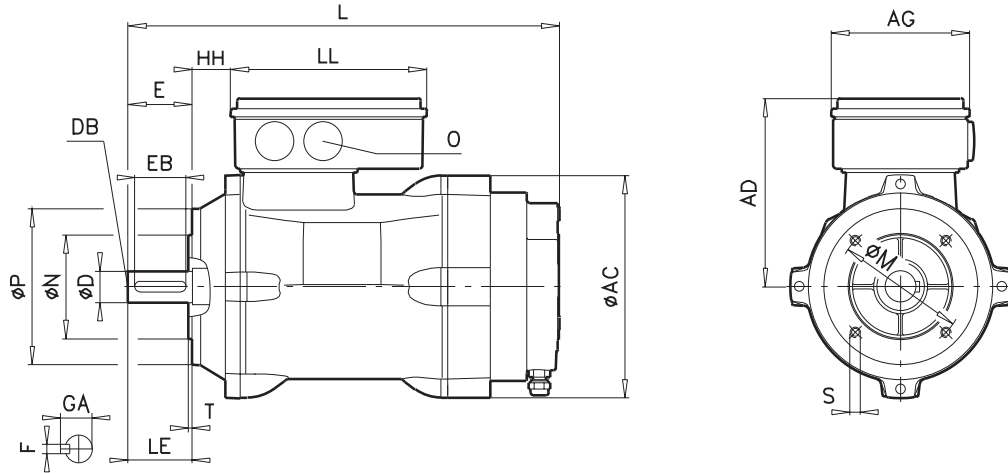
### IM B14



# unventilated B14-BRE

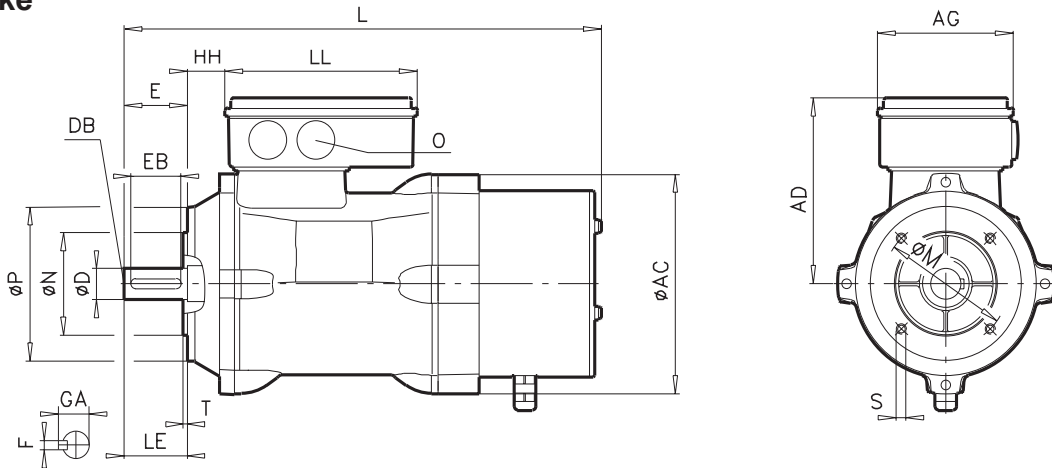


## Standard



Type			[mm]																		
HM unventilated		BRE [Nm]	M	N	P	S	T	AC	AD	AG	HH	L	O	LE	LL	D	DB	E	EB	F	GA
80	LH	5 10	100	80	120	M6x12	3,0	154	135	108	26	281 286	M25x1,5	40	153	19	M6	40	32	6	21,5
90	SH	10 20	115	95	140	M8x15	3,0	171	145	108	30	330 335	M25x1,5	50	153	24	M8	50	40	8	27
100	SH/LH	10 20	130	110	160	M8x16	3,5	192	167	108	36	367 372	M32x1,5	60	153	28	M10	60	50	8	31

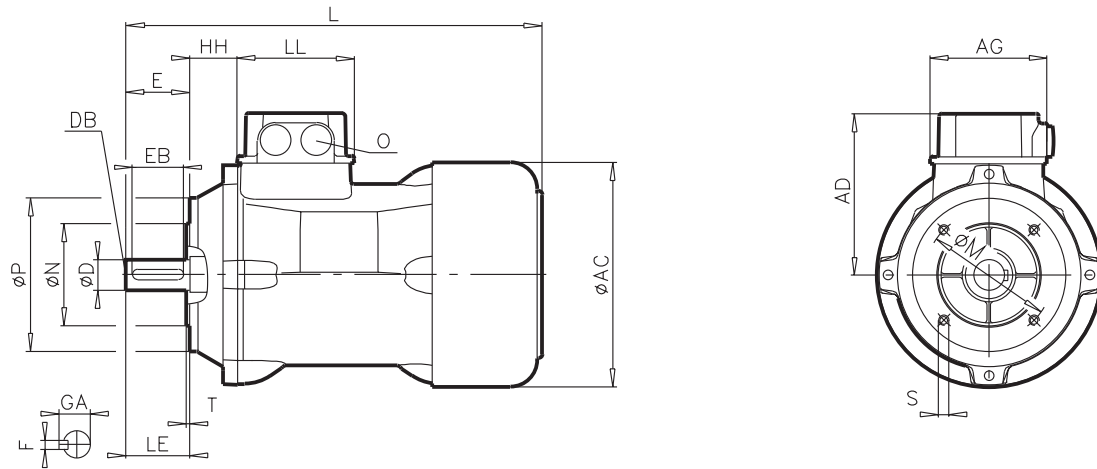
## Integrated brake



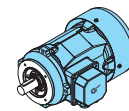
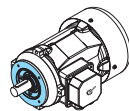
Type			[mm]																		
HMT unventilated		BRE [Nm]	M	N	P	S	T	AC	AD	AG	HH	L	O	LE	LL	D	DB	E	EB	F	GA
80	LH	5 10	100	80	120	M6x12	3,0	154	135	108	26	333	M25x1,5	40	153	19	M6	40	32	6	21,5
90	SH	10 20	115	95	140	M8x15	3,0	171	145	108	30	378	M25x1,5	50	153	24	M8	50	40	8	27
100	SH/LH	10 20	130	110	160	M8x16	3,5	192	167	108	36	415	M32x1,5	60	153	28	M10	60	50	8	31



# B14 ventilated



Type  
HM  
ventilated L/H

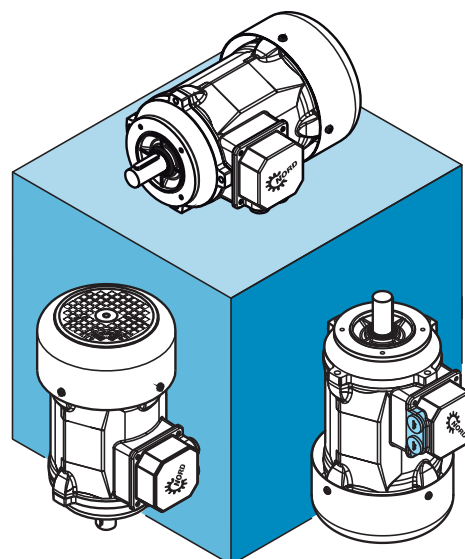


		[mm]											
		M	N	P	S	T	AC	AD	AG	HH	L	LE	LL
80	LH	100	80	120	M6 x 12	3,0	156	117	92	26	276	40	114
90	SH	115	95	140	M8 x 15	3,0	176	127	92	30	326	50	114
100	SH/LH	130	110	160	M8 x 16	3,5	194	135	92	36	366	60	114

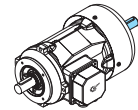
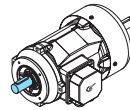
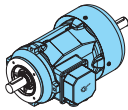
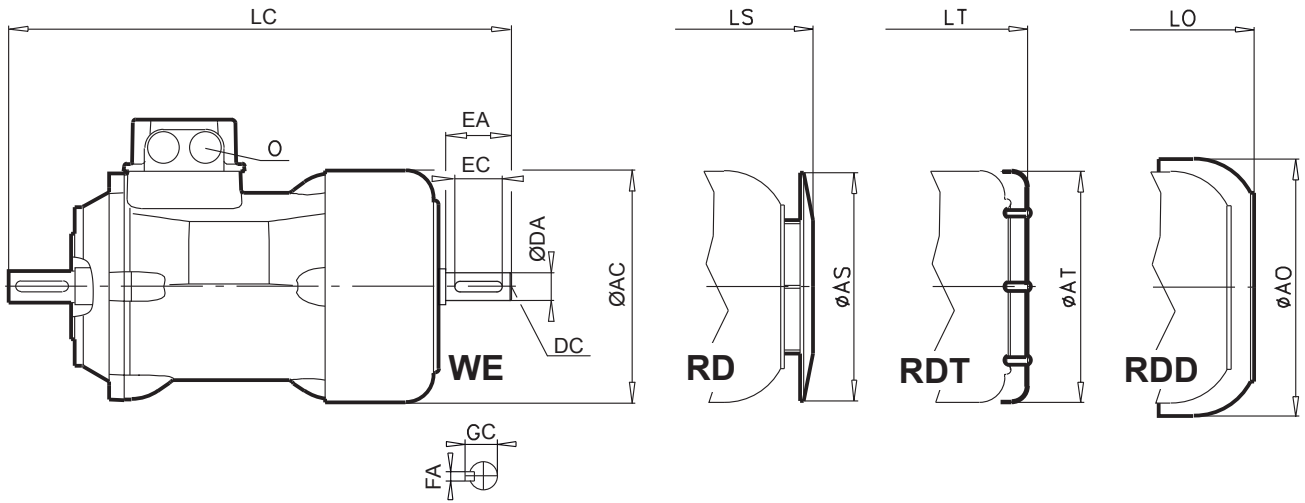
IM B14

IM V18

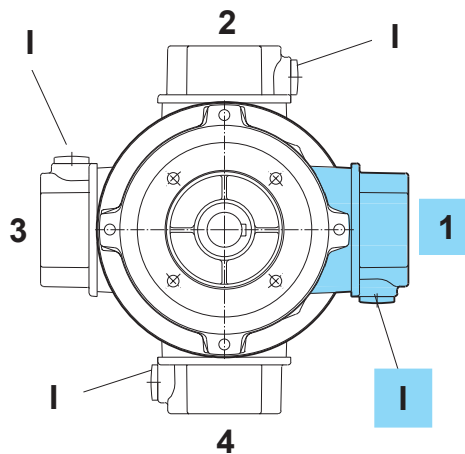
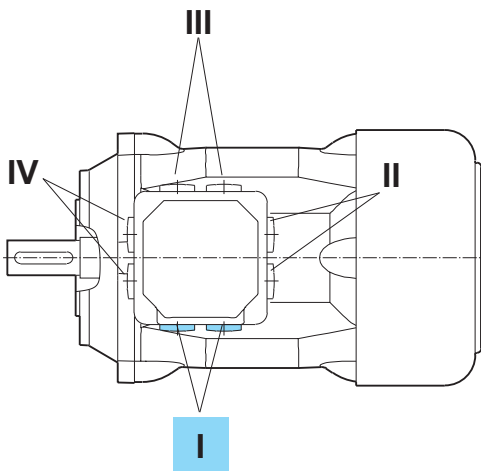
IM V19





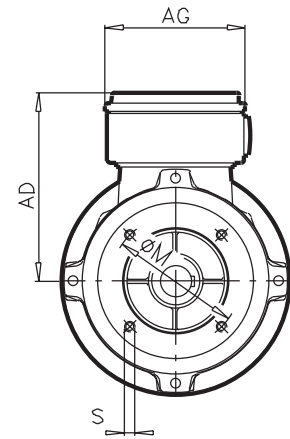
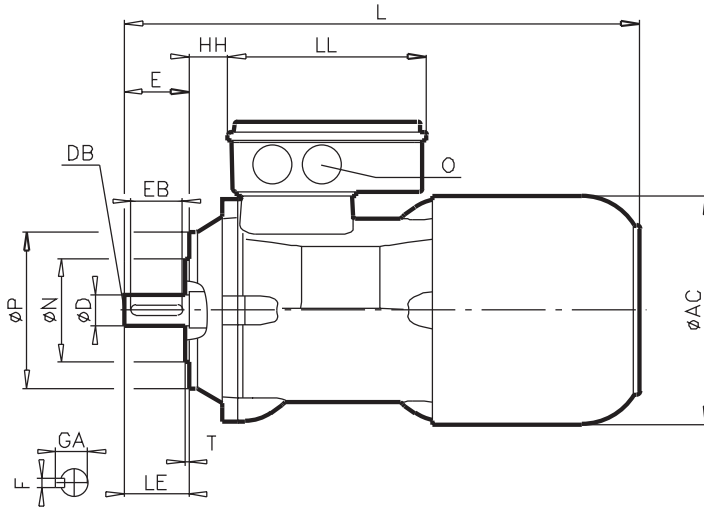


LC	AS	AT	AO	LS	LT	LO	O	D	DB	E	EB	F	GA	DA	DC	EA	EC	FA	GC
309	156	156	176	291	296	302	M20 x 1,5	19	M6	40	32	6	21,5	14	M5	30	20	5	16,0
373	176	176	194	341	345	357	M20 x 1,5	24	M8	50	40	8	27,0	14	M5	30	20	5	16,0
422	194	194	218	381	388	394	M20 x 1,5	28	M10	60	50	8	31,0	24	M8	50	40	8	27,0

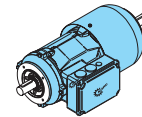
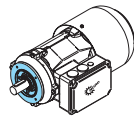




# B14-BRE ventilated

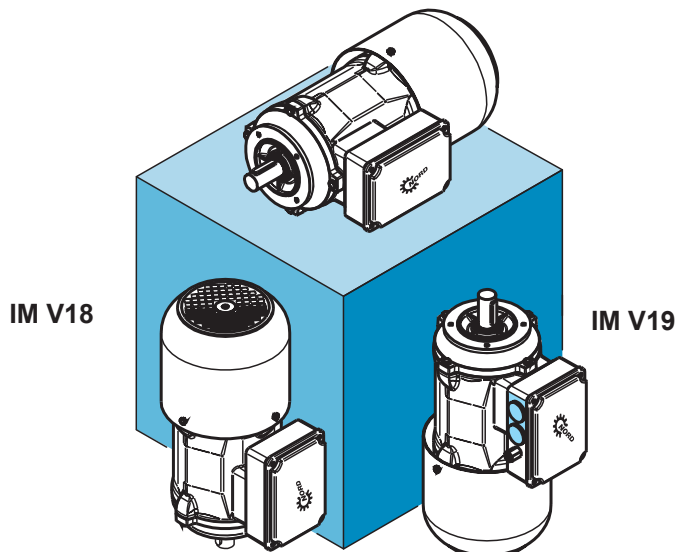


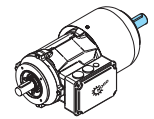
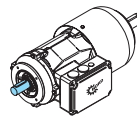
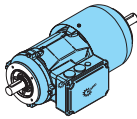
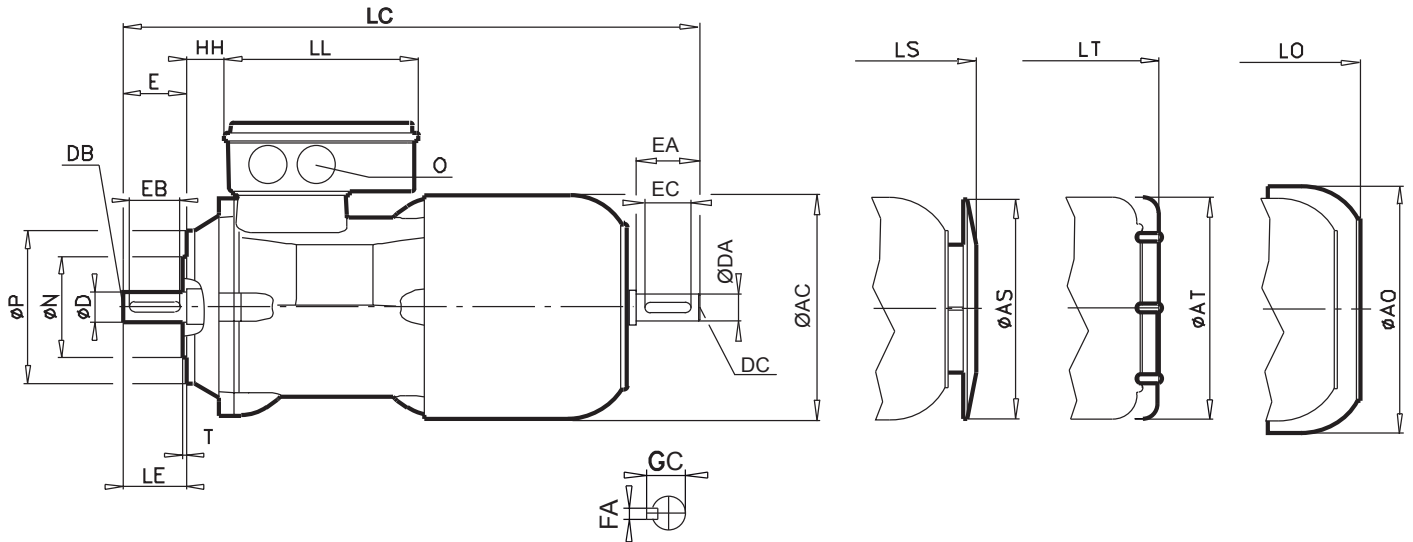
Type		BRE [Nm]
HM ventilated L/H		



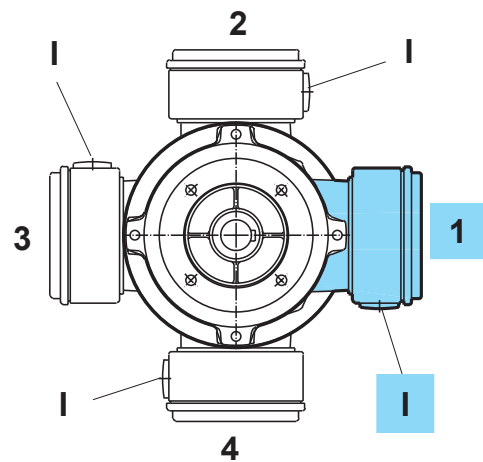
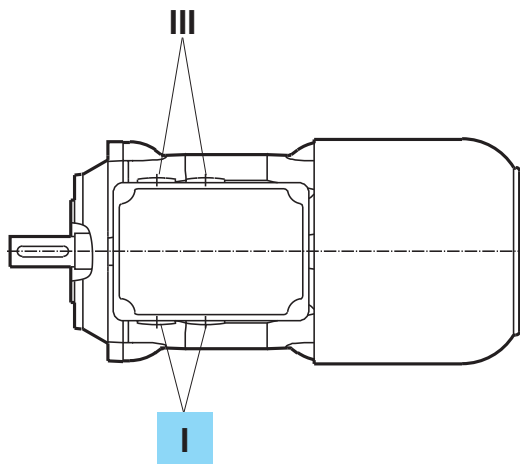
			M	N	P	S	T	AC	AD	AG	HH	L	LE	LL
		[mm]												
80	LH	5 10	100	80	120	M6 x 12	3,0	156	135	108	26	340	40	153
90	SH	10 20	115	95	140	M8 x 15	3,0	176	145	108	30	401	50	153
100	SH/LH	10 20	130	110	160	M8 x 16	3,5	194	167	108	36	457	60	153

## IM B14





LC	AS	AT	AO	LS	LT	LO	O	D	DB	E	EB	F	GA	DA	DC	EA	EC	FA	GC
374	156	156	176	355	360	366	M25x1,5	19	M6	40	32	6	21,5	14	M5	30	20	5	16,0
439	176	176	194	416	420	431	M25x1,5	24	M8	50	40	8	27,0	14	M5	30	20	5	16,0
517	194	194	218	472	480	485	M32x1,5	28	M10	60	50	8	31,0	24	M8	50	40	8	27,0

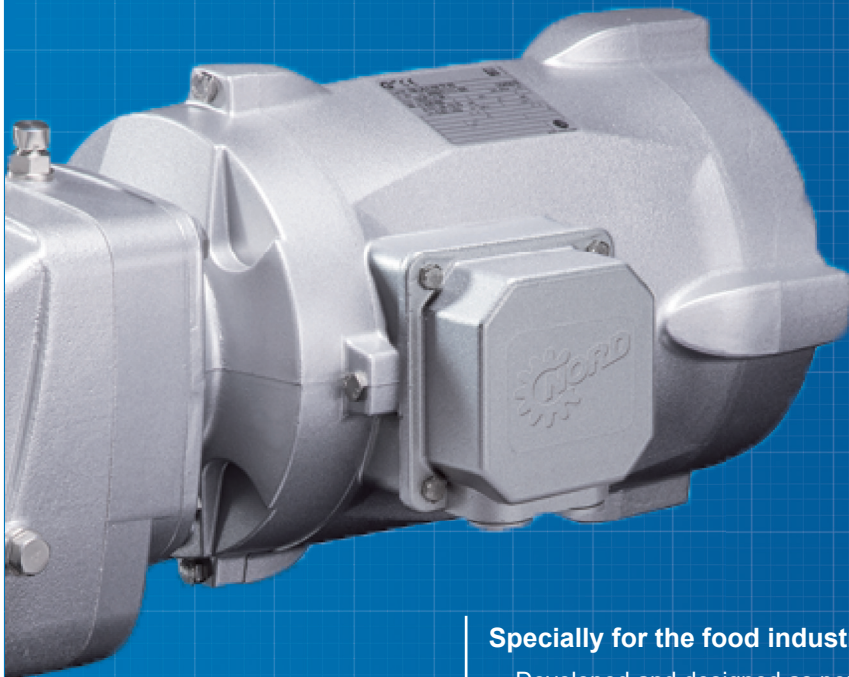


# NORD smooth surface motors

**nsc** **tuph**

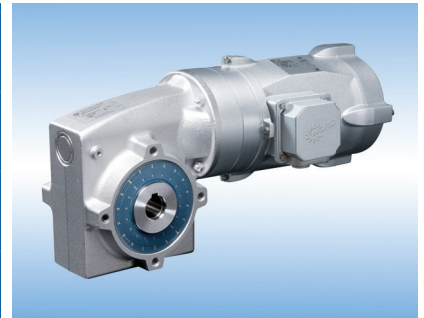
## Sealed Surface Conversion System

- Surface treatment
- No detachment possible
- No corrosion (like stainless steel)
- No flaking
- No undercutting

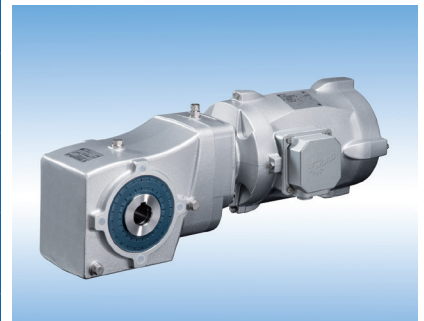


## Specially for the food industry

- Developed and designed as per the following standards:  
EHEDG, ASNI / BISSC, ANSI / NSF
- Compliant with FDA Title 21  
CFR 175, 300



Smooth motor – unventilated  
with SMI worm gear



Smooth motor – unventilated  
with 2-stage bevel gear



# An overview of the NORD range

## G1000 Fixed speeds UNICASE housing 50 Hz, 60 Hz

- Helical geared motors
- Parallel geared motors
- Bevel geared motors
- Helical worm geared motors

## G4014 Electronic variable speed drives

- NORDBLOC.1 Helical geared motors
- Helical geared motors
- Parallel geared motors
- Bevel geared motors
- Helical worm geared motors

## G1050 MAXXDRIVE Industrial gear units UNICASE housing 50 / 60 Hz

- Parallel-Axis
- Right-Angle

## G1035 UNIVERSAL Worm gear units

- SI and SMI

## F3018 Frequency inverter SK180E F3020 Frequency inverter SK200E





**NORD DRIVESYSTEMS Group**

**Headquarters and Technology center**  
in Bargteheide close to Hamburg

**Innovative drive solutions**  
for more than 100 branches of industry

**Mechanical products**  
parallell shaft, helical gear, bevel gear and worm gear units

**Electrical products**  
IE2/IE3/IE4 motors

**Electronic products**  
centralised and decentralised frequency inverters,  
motor starters and field distribution systems

**7 state-of-the-art production plants**  
for all drive components

**Subsidiaries and distributors**  
**in 89 countries on 5 continents**  
provide local stocks, assembly, production,  
technical support and customer service

**More than 4.000 employees throughout the world**  
create customer oriented solutions

**[www.nord.com/locator](http://www.nord.com/locator)**

**Headquarters:**

Getriebebau NORD GmbH & Co. KG  
Getriebebau-Nord-Straße 1  
22941 Bargteheide, Germany  
Fon +49 (0) 4532 / 289-0  
Fax +49 (0) 4532 / 289-2253  
[info@nord.com](mailto:info@nord.com), [www.nord.com](http://www.nord.com)

**Member of the NORD DRIVESYSTEMS Group**

