

## SK TU4-PBR

Part number: 275 281 100

### PROFIBUS® DP – External Bus Interface

The bus interface may only be installed and commissioned by qualified electricians. An electrician is a person who, because of their technical training and experience, has sufficient knowledge with regard to

- Switching on, switching off, isolating, earthing and marking power circuits and devices,
- Proper maintenance and use of protective devices in accordance with defined safety standards.

### **DANGER**

### Danger of electric shock

The frequency inverter carries hazardous voltage for up to 5 minutes after being switched off.

- Work must not be carried out unless the frequency inverter has been disconnected from the voltage and at least 5 minutes has elapsed since the mains was switched off!

### **NOTICE**

### Validity of document

This document is only valid in conjunction with the operating instructions of the respective frequency inverter and the bus communication manual for this bus interface (📖 See overview at end of document). These documents contain all of the information that is required for safe commissioning of the bus interface module and the frequency inverter.

### Scope of delivery

1 x	Bus interface	SK TU4-PBR
4 x	Hexagonal socket screw	M4 x 40 mm
<b>Accessories required:</b>		
1 x	Bus connection unit TI 275280000	SK TI4-TU-BUS (Part No.: 275 280 000)



### Usage area

External technology unit for connection of a decentralised frequency inverter (SK 2xxE) to a **PROFIBUS DP** field bus. The bus interface can be mounted on, or in the immediate vicinity of the frequency inverter. This is connected to the inverter via the system bus, and can directly access up to 4 frequency inverters. 4 digital inputs and 2 digital outputs are available.

Technical Information / Datasheet	SK TU4-PBR			
PROFIBUS DP Bus module	TI 275281100	V 1.2	4217	en

## Technical Data

### Bus interface

Temperature range	-25 °C...50 °C	Vibration resistance	3M7
Temperature class	Class 3K3	Firmware version	V1.4 R0
Protection class	IP55	Hardware version	AA
Supply voltage	24 V ± 20 %, ≈ 90 mA Reverse polarity protected	Dimensions [mm]*	H x W x D: 95 x 136 x 91

\* bus interface fitted to bus connection unit

Digital input - working range	Low: 0 V ... 5 V, High: 15 V ... 30 V
Digital input - specific data	$R_i = 8 \text{ k}\Omega$ , input capacity: 10 nF, response time 1 ms, inputs as per EN 61131-2 type 1
Digital output - 24 VDC power supply	≤ 400 mA (input)
Digital input - working range	Low = 0 V, High = 24 V; max. 200 mA

### Bus specification

PROFIBUS DP	Max. 12 MBit/s electrical isolation 500 V <sub>eff</sub>								
Bus connection	Connection terminals								
Bus termination	via DIP switch on the bus interface								
Status display	4 LEDs								
Topology	Linear bus								
Power setting	PROFIBUS DP-V1								
Cable	Cable type A according to EN 50170 (drilled, shielded two conductor cable)								
Cable length	depending on transmission speed: <table border="1" data-bbox="454 1265 917 1400"> <thead> <tr> <th>Bus cable length</th> <th>Transfer rate</th> </tr> </thead> <tbody> <tr> <td>400 m</td> <td>500 KBit/s</td> </tr> <tr> <td>200 m</td> <td>1500 KBit/s</td> </tr> <tr> <td>100 m</td> <td>3...12 MBit/s</td> </tr> </tbody> </table>	Bus cable length	Transfer rate	400 m	500 KBit/s	200 m	1500 KBit/s	100 m	3...12 MBit/s
Bus cable length	Transfer rate								
400 m	500 KBit/s								
200 m	1500 KBit/s								
100 m	3...12 MBit/s								
Shield	via metal cable lead-in to PE								
PE connection	via PE screw cap in terminal box								

### Power

Update interval for process data between bus interface and frequency inverter	≈ 5 ms
Parameter read access on the frequency inverter	≈ 12 ms
Parameter write access with storage in EEPROM	≈ 25 ms

### Bus interface characteristics

Communication Performance levels DP-V0	Cyclic useful data connection between DP master and DP slaves (point-to-point useful data communication or Multicast)		
Communication Performance levels DP-V1	Acyclic data communication between DP master DPM1 and DP slaves		
Transfer Method	RS485		
Addressing	<b>SK TU3-PBR</b> Parameter <b>P508</b> at frequency inverter	<b>SK TU3-PBR-24V</b> Rotary coding switch or parameter <b>P508</b> at frequency inverter	<b>SK xU4-PBR</b> DIP switch or parameter <b>P160</b>
Synchronisation	Sync mode (synchronisation of outputs) and Freeze mode (synchronisation of inputs)		
Bus access	<ul style="list-style-type: none"> <li>• Token Passing procedure</li> <li>• Master/Slave procedure</li> <li>• Mono-Master or Multi-Master System</li> </ul>		
Access for NORD diagnosis tool via	diagnostics socket on the device (if available) and via frequency inverter		

### Installation

The bus interface must be attached to a suitable connection unit (SK TI4-TU...) and connected using the 4 provided M4 x 40 mm hexagon socket collar screws. Installation details can be found in the data sheet for the relevant connection units.

### Connections

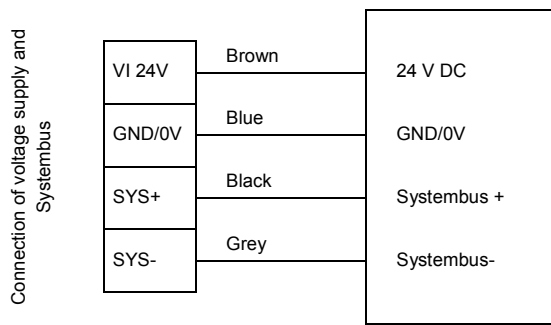
The connection of the field bus lines, signal lines and control lines takes place via the bus connection unit **SK TI4-TU-BUS(-C)**.

Terminals	Double-sprung terminal bar	2 x 18 contacts
Cable cross section	AWG 14-26	rigid: 0,14 ... 2,5 mm flexible: 0.14 ... 1.5 mm with wire end sleeves
PE connection	Via housing	
RJ12	RJ45 - socket	Interface for connecting a parameterisation tool

Potential	Contact	Designation	Description	
1	PROFIBUS DP	1	24 V	Supply potential (+24 V ±20%, 90 mA)
		2	24 V	Supply potential (+24 V ±20%, 90 mA)
		3	PB B IN	Receive line, positive
		4	PB B OUT	Transmit line, positive
		5	PB A IN	Receive line, negative
		6	PB A OUT	Transmit line, negative
		7	0V-B	Bus reference potential
		8	0V-B	Bus reference potential
		9	RTS	Ready to send
		10	+5 V B	+5 V bus supply voltage
2	System bus level and digital inputs	11	24 V	Supply potential (+24 V)
		12	24 V	Supply voltage (+24 V)
		13	24 V	Supply voltage (+24 V)
		14	Sys +	System bus data line +
		15	0V GND	Reference potential (0 V/GND)
		16	Sys -	System bus data line -
		17	0V GND	Reference potential (0 V/GND)
		18	0V GND	Reference potential (0 V/GND)
		19	DIN 1	Digital input 1
		20	DIN 3	Digital input 3
		21	0V GND	Reference potential (0 V/GND)
		22	0V GND	Reference potential (0 V/GND)
		23	24 V	Supply potential (+24 V)
		24	24 V	Supply potential (+24 V)
		25	DIN 2	Digital input 2
		26	DIN 4	Digital input 4
		27	0V GND	Reference potential (0 V/GND)
		28	0V GND	Reference potential (0 V/GND)
		29	24 V	Supply potential (+24 V)
		30	24 V	Supply potential (+24 V)
3	Digital outputs	31	24 V 2	Supply potential (+24 V) of the digital outputs
		32	0 V 2	Reference potential (0 V / GND) of the digital outputs
		33	DO 1	Digital output 1 (+24 V, 500 mA)
		34	DO 2	Digital output 2 (+24 V, 500 mA)
		35	0 V 2	Reference potential (0 V / GND) of the digital outputs
		36	0 V 2	Reference potential (0 V / GND) of the digital outputs
4	Diagnosis	RJ12 - 1	RS485_A	Data cable RS485
		RJ12 - 2	RS485_B	Data cable RS485
		RJ12 - 3	GND	Reference potential (GND)
		RJ12 - 4	RS232_TxD	Data cable RS232
		RJ12 - 5	RS232_RxD	Data cable RS232
		RJ12 - 6	24 V	Supply voltage (+24 V)



### Connection examples



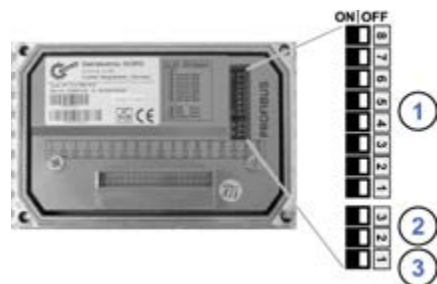
bus module

### Configuration

The PROFIBUS address of the bus interface (1) is set via the DIP switches. If the bus interface is the final subscriber on the PROFIBUS field bus or the NORD system bus, the terminating resistors (2) and (3) must be activated.

The DIP switch settings are read in after a “Power On” of the bus interface.

DIP switch	Meaning	Department	Meaning
8	—	Addressing	Bus interface PROFIBUS address
7	Address bit 6		
6	Address bit 5		
5	Address bit 4		
4	Address bit 3		
3	Address bit 2		
2	Address bit 1		
1	Address bit 0	Bus terminal	Terminating resistor for PROFIBUS field bus
3	PB Term.		
2	PB Term.		
1	S-Bus Term.		Termination resistor for NORD system bus



Default DIP switches: OFF

#### 1. Addressing (DIP 7 ... 1)

The PROFIBUS is set with binary coding using DIP switches 7...1.

Address area "3"... "125".

#### 2. Terminating resistors for PROFIBUS field bus (DIP 2 and 3).

Both DIP switches 2 and 3 must be moved to the “ON” position if the bus interface is the final subscriber on the bus.

#### 3. Termination resistor for NORD system bus (DIP 1)

Set DIP switch 1 to the “ON” position if the bus interface is the final subscriber on the bus.

### LED indicators

The operating statuses of the bus interface are visualised using LED indicators.

No.	Name	Colour	Meaning
1	EN	red	Device error
	DS	green	Device State
2	BE	red/green	PROFIBUS DP Error
	BR	green	PROFIBUS DP Status



### PROFIBUS DP-specific LED

BR (Bus Ready, PROFIBUS DP Status)	BE (Bus Error, PROFIBUS DP Error)	Meaning
OFF	OFF	Bus interface not ready, no voltage supply or signalling of a system fault via the "DS" and "DE" LEDs.
Steady illumination in green	OFF	Normal operation, cyclic data exchange via PROFIBUS DP.
Flashing green (0.5 s)	OFF	Technology unit has not been configured by the DP master, no cyclic data exchange: <ul style="list-style-type: none"> <li>PROFIBUS DP cable not connected</li> <li>Addressing error</li> <li>PROFIBUS DP-Master in "STOP" state</li> <li>Defective hardware configuration (e.g. More than 4 connected frequency inverters)</li> </ul>
Steady illumination in red	Steady illumination in red	Communication timeout: Address monitoring time in PROFIBUS DP master expired.
Steady illumination in red	Flashing red (0.5 s)	Timeout during process data reception: The time set in parameter <b>P151 External bus timeout</b> has elapsed without new process data being received.
Flashing red (0.5 s)	Flashing red (0.5 s)	No communication between bus interface and PROFIBUS DP master: <ul style="list-style-type: none"> <li>Incorrect address range (permitted range "3"..."125")</li> <li>Bus interface defective</li> </ul>

## NORD-specific LEDs

DS (Device State)	EN (Device Error)	Meaning long flashing = 0.5 s on / 1 s off short flashing = 0.25 s on / 1 s off
OFF	OFF	Bus interface not ready, no control voltage
ON	OFF	Bus interface ready, no error, at least one frequency inverter is communicating via the system bus
ON	Short flashing	Bus interface ready, but <ul style="list-style-type: none"> <li>One or more of the connected frequency inverters has fault status</li> </ul>
Long flashing	OFF	Bus interface ready and at least one other subscriber is connected to the system bus, but <ul style="list-style-type: none"> <li>No frequency inverter on the system bus (or connection interrupted)</li> <li>One or more system bus subscriber has an address error</li> <li>Software incompatible (bus interface software and FI software incompatible - update required)</li> </ul>
Long flashing	Short flashing Flash interval 1 x - 1 s pause	System bus is in status "Bus Warning" <ul style="list-style-type: none"> <li>Communication on system bus disrupted</li> <li>No other subscribers present on system bus</li> <li>Module not inserted correctly or no connection to system bus</li> <li>Frequency inverter has no supply voltage</li> </ul>
Long flashing	Short flashing Flash interval 2 x - 1 s pause	System bus is in status "Bus Off" <ul style="list-style-type: none"> <li>The system bus 24 V power supply has been interrupted during operation</li> </ul>
Long flashing	Short flashing Flash interval 3 x - 1 s pause	System bus is in status "Bus Off" <ul style="list-style-type: none"> <li>The 24 V voltage supply of the system bus is missing</li> </ul>
Long flashing	Short flashing Flash interval 4 x - 1 s pause	Bus interface error <ul style="list-style-type: none"> <li>See parameter <b>P170</b></li> </ul>
OFF	Short flashing Flash interval 1 x - 1 s pause	System error, internal program sequence interrupted <ul style="list-style-type: none"> <li>EMC interference (observe the wiring guidelines!)</li> <li>Bus interface defective</li> </ul>

### Error messages

Error messages from the bus interface – current or archived messages relating to the last fault - can be read out via module parameter **P170** (SK xU4-PBR only). The error messages are lost if the bus interface is switched off.

Error	Meaning	Remarks
100.0	EEPROM error	EMC faults, bus interface defective
101.0	System bus 24 V missing	No 24 V voltage on bus, connections not correct
102.0	Bus timeout P151	By means of timeout supervision parameter <b>P151/P513</b>
103.0	System bus BUS OFF	No 24 V supply to the bus, connections not correct
500.0	PROFIBUS ASIC error	No communication with ASIC
501.0	PROFIBUS address incorrect	Address outside permissible range (3...125)
502.0	PROFIBUS Timeout	Telegram transfer error

Bus interface-related errors are depicted as follows in the error memory of the frequency inverter (**P700 / P701**).

Error (E010)	Meaning	Remarks
10.0	Connection error	Contact to bus interface lost
10.2	PROFIBUS telegram failure	Telegram transfer error <ul style="list-style-type: none"> <li>• Check the connections and links, program sequence and Bus Master.</li> </ul>
10.3	Timeout by <b>P151/P513</b>	Telegram transfer error. <ul style="list-style-type: none"> <li>• Check watchdog time (P151).</li> <li>• Check the connections and links and the program sequence in the Bus Master.</li> </ul> The release bit is missing in the control word.
10.4	External bus interface initialisation error	Unable to address bus interface. <ul style="list-style-type: none"> <li>• Check parameter <b>P746</b> setting.</li> <li>• Check power supply of bus interface.</li> <li>• Check the connections and links.</li> </ul>
10.8	External bus interface communication error	Only SK TU3-PBR bus interface: Connection between bus interface and frequency inverter interrupted.
10.9	Missing bus interface	Only bus interfaces SK CU4-PBR and SK TU4-PBR: Connection between bus interface and frequency inverter interrupted (see setting of parameter <b>P120</b> ).



## Parameter

*Frequency inverter:* The following frequency inverter parameters must be adapted for setting up communication between the frequency inverter and the bus interface (for details please refer to the frequency inverter manual).




Parameter [-Array]	Meaning	Remarks	
P120 [-01]	Option monitoring	"Auto" (default setting)	Only SK xU4
P509	Source Control Word	SK TU3-... on SK 5xxE: "Profibus" SK xU4-... on SK 180/SK 2xxE: "System bus"	
P510 [-01]...[-02]	Setpoint source	"Auto" (default setting)	
P513	Time-out	Monitoring of the SK TU3 bus interface	Only SK 5xxE
P543 [-01]...[-03] and P543...P545	Bus actual value (1...3)	Possible settings according to P418	
P546 [-01]...[-03] ([-05]) and P546...P548	Bus setpoint value (1...3)	Possible settings according to P400	
P700 [-01]/P701	Current/last faults	Information parameter	
P740/P741	Process data bus In / Out	Information parameter	
P745	Module version	Information parameter	Only SK TU3
P746	Module status	Information parameter	Only SK TU3
P748	CANopen/System bus status	Information parameter	

*Bus interface:* The bus interface provides a selection of appropriate parameters for setting or displaying special operating values. Parameters can be adapted using the NORDCON software or an SK PAR-3H / -3E parameter box. All parameters can still be read and written by the bus master via PROFIBUS DP.

Parameter [-Array]	Meaning	Remarks
P150	Set relays	Set DOUT directly or control via BUS
P151	External bus time-out	Monitoring of SK xU4 bus interface
P152	Factory setting	Reset bus interface parameters
P153 [-01]...[-02]	Minimum system bus cycle	Reduction of bus load on the system bus caused by the bus interface
P154 [-01]...[-02]	Access to option card I/O	Administration of read and write rights to the IO of the module
P160	Profibus address	Set bus interface PROFIBUS-DP address
P170 [-01]...[-02]	Present errors	Display bus interface errors
P171 [-01]...[-03]	Software version	Firmware version/Revision
P172	Configuration	Bus interface type
P173	Module status	Status of system bus or the connected FI
P174	Status of digital inputs	Image of the switching status of DIN
P175	Digital output state	Image of the switching status of DOUT
P176 [-01]...[-17]	Process data bus In	Information parameter
P177 [-01]...[-17]	Process data bus Out	Information parameter
P180	Profibus address	Information parameter
P181	Profibus baud rate	Information parameter
P182	PPO Type	Information parameter

### Parameter access and diagnostics

The NORD CON software and optional control units such as the SK PAR-3H parameter box provide convenient access to the parameters of the bus interface and allow status information to be read out.

SK TU3-	SK TU4-	SK CU4- / SK TU4-
Access via RJ12 diagnostics socket of the SK 5xxE 	Access via RJ12 diagnostics socket of the bus connection unit <b>SK TI4-TU-BUS(-C)</b> 	Access via RJ12 frequency inverter diagnostics socket, if connected to the bus interface via the system bus. 

### Further documentation and software ([www.nord.com](http://www.nord.com))

Software	Description
<a href="#">GSD-file</a>	Device characteristics and parameters

Software	Description
<a href="#">NORD.CON</a>	Parametrisation and diagnostic software

Document	Description
<a href="#">BU_0000</a>	Description of NORD CON software
<a href="#">BU_0040</a>	Parameter box manual
<a href="#">BU_0180</a>	Frequency inverter manual SK 180E, SK 190E
<a href="#">BU_0200</a>	Frequency inverter manual SK 2xxE
<a href="#">BU_2700</a>	PROFINET DP bus communication manual

Document	Description
<a href="#">TI_275280000</a>	Bus connection unit SK TI4-TU-BUS
<a href="#">TI_275274505</a>	SK TIE4-M12-SYSM System bus connection expansion exit
<a href="#">TI_275274506</a>	SK TIE4-M12-SYSS System bus connection expansion entrance
<a href="#">TI_275274500</a>	SK TIE4-M12-PRB Ethernet connection expansion PROFIBUS DP input/output